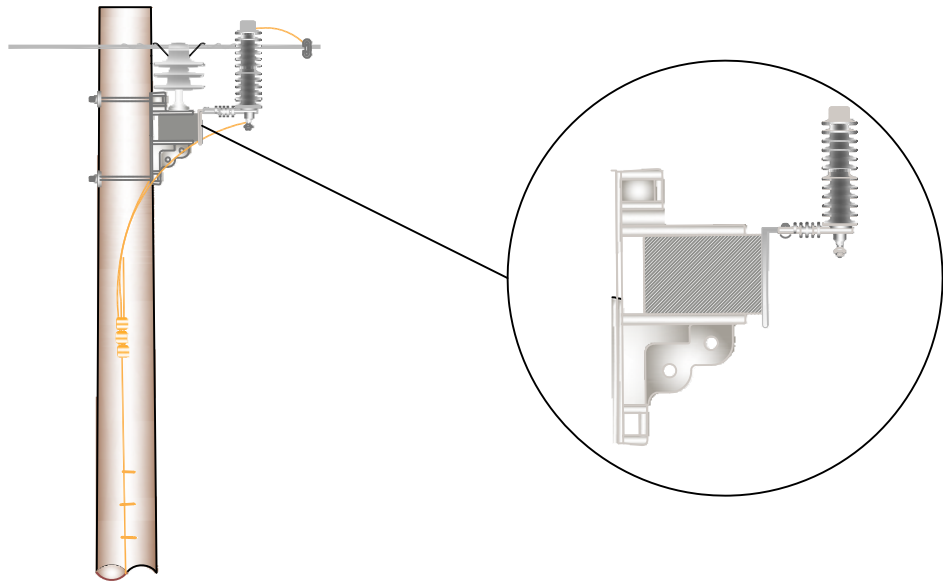
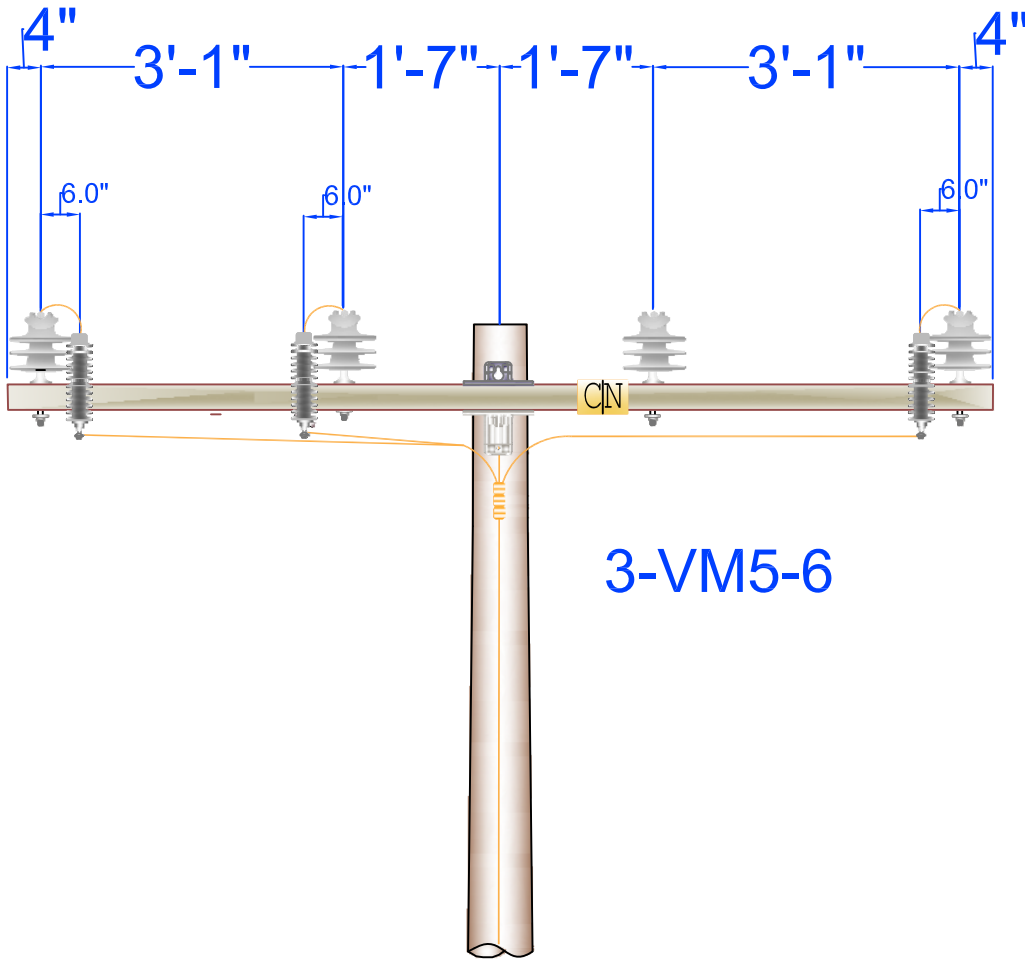


PEDERNALES ELECTRIC
COOPERATIVE, INC.
CONSTRUCTION ASSEMBLY UNIT

3Φ Arrester Installation - Center Phase on Pole

drawn: REB	approved MJB	date: February 4, 2016
----------------------	------------------------	---------------------------

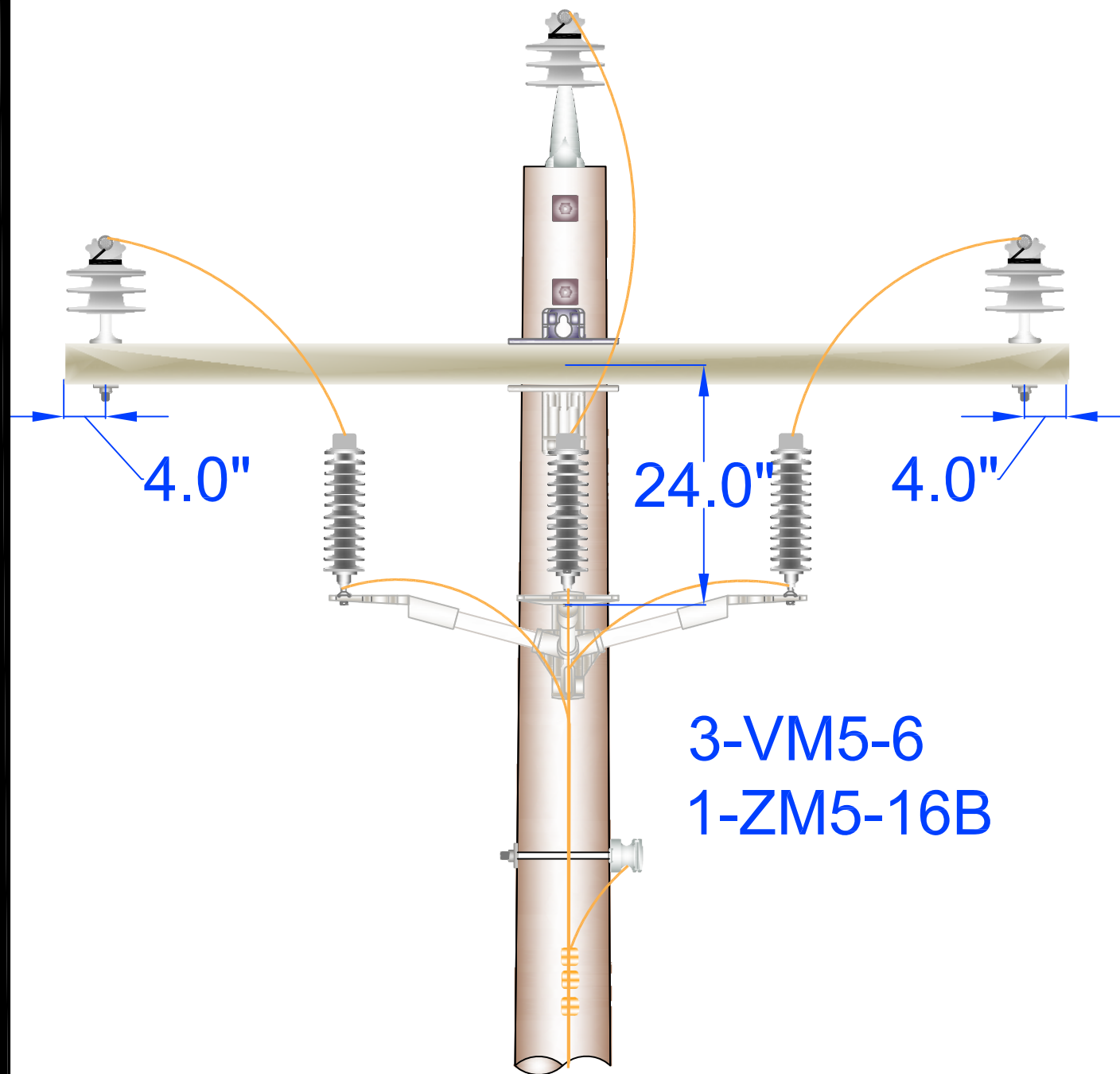
Page 1 of 6



PEDERNALES ELECTRIC
COOPERATIVE, INC.
CONSTRUCTION ASSEMBLY UNIT

3Φ Arrester Installation - All Phases on Crossarm

drawn:	approved	date:
REB	MJB	February 4, 2016

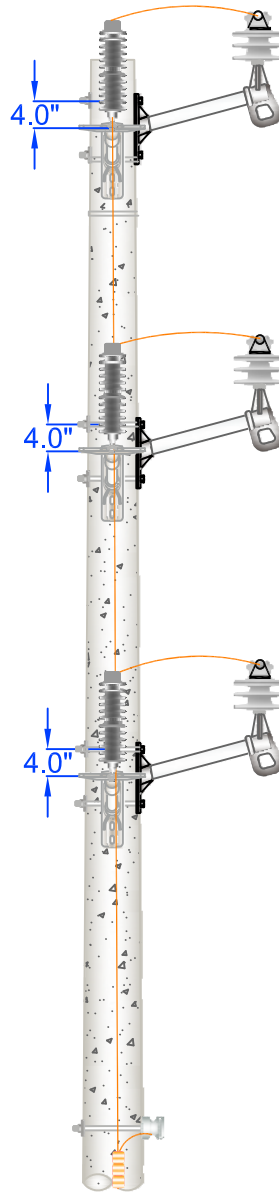
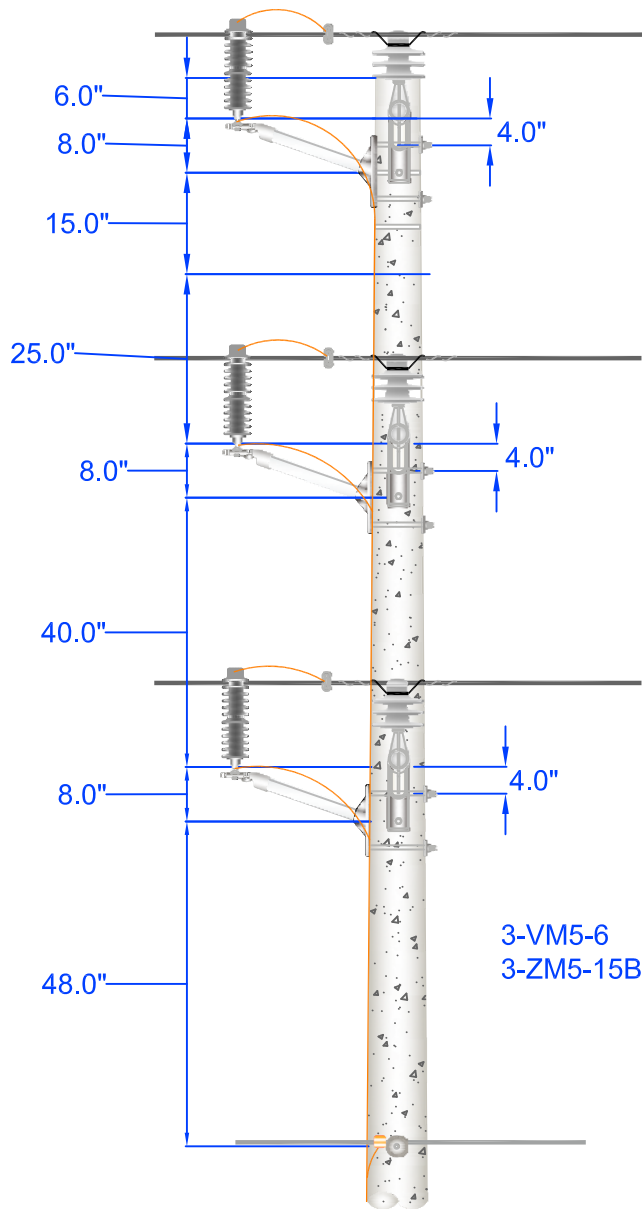


PEDERNALES ELECTRIC
COOPERATIVE, INC.
CONSTRUCTION ASSEMBLY UNIT

3Φ Arrester Installation - Arresters on Bracket

drawn: REB	approved MJB	date: February 4, 2016
----------------------	------------------------	---------------------------

Page 3 of 6

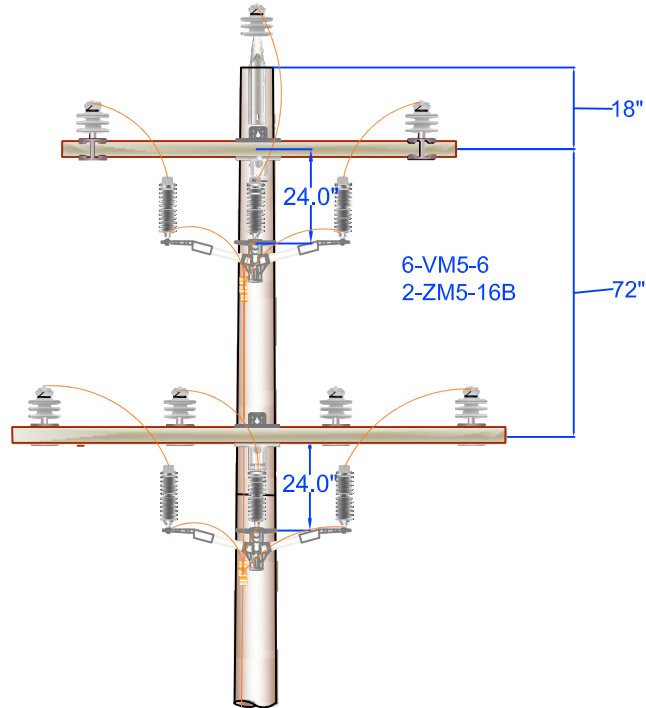
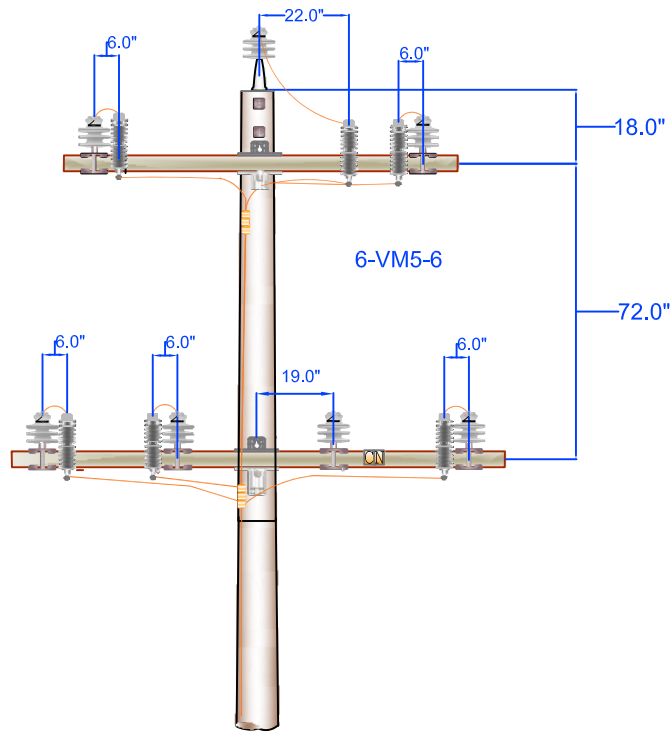


PEDERNALES ELECTRIC
COOPERATIVE, INC.
CONSTRUCTION ASSEMBLY UNIT

3Φ Arrester Installation - On Vertical Construction

drawn:	approved:	date:
REB	MJB	February 4, 2016

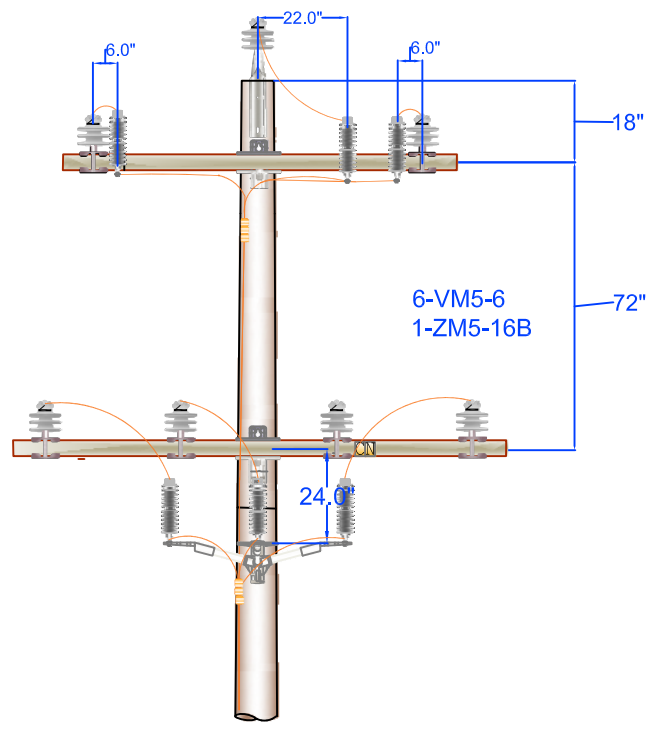
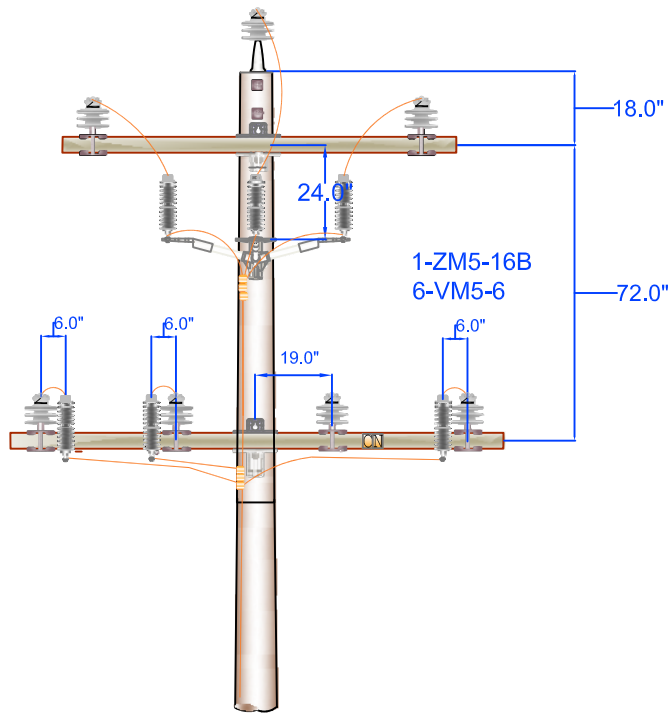
Page 4 of 6



PEDERNALES ELECTRIC
COOPERATIVE, INC.
CONSTRUCTION ASSEMBLY UNIT

3Φ Arrester Installation.- Double Circuit

drawn:	approved	date:
REB	MJB	February 4, 2016



PEDERNALES ELECTRIC
 COOPERATIVE, INC.
 CONSTRUCTION ASSEMBLY UNIT

3Φ Arrester Installation - Double Circuit

drawn:	approved	date:
REB	MJB	February 4, 2016