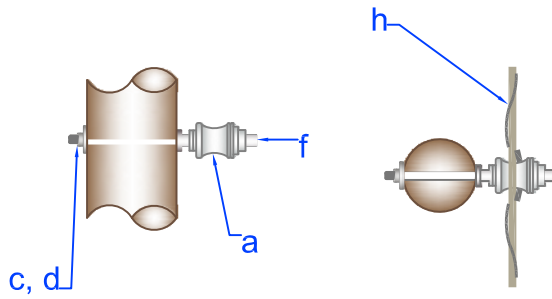
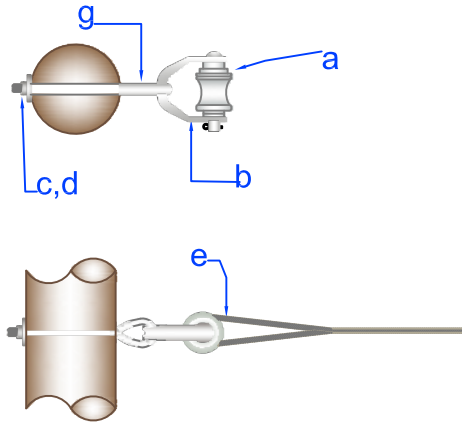


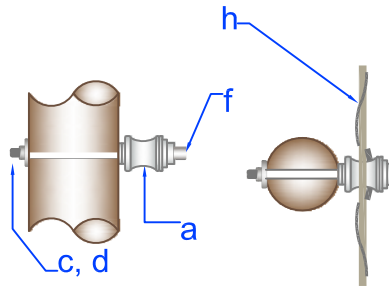
J5



J6



J8



Item	Material Number	Item Quantity	Item Description	J5	J6	J8
a	2000544	1	Insulator Spool CI 53-2	1	1	1
b	2000265	1	Clevis Swinging Secondary		1	
c	*3000153	1	Locknuts	1	1	1
d	*3000240	1	Washer, 2 1/4" X 2 1/4"	1	1	1
e	*2000432	1	Deadend Preformed 1/0 ACSR		1	
f	*	1	Bolt Upset Sgl 5/8"	1		1
g	*	1	Bolt Eye 5/8"		1	
h	*2001028	1	Tie Dist 336 J Neck	1		1

*Denotes "Grab Bag" item. All bolt lengths are dependent on pole class.

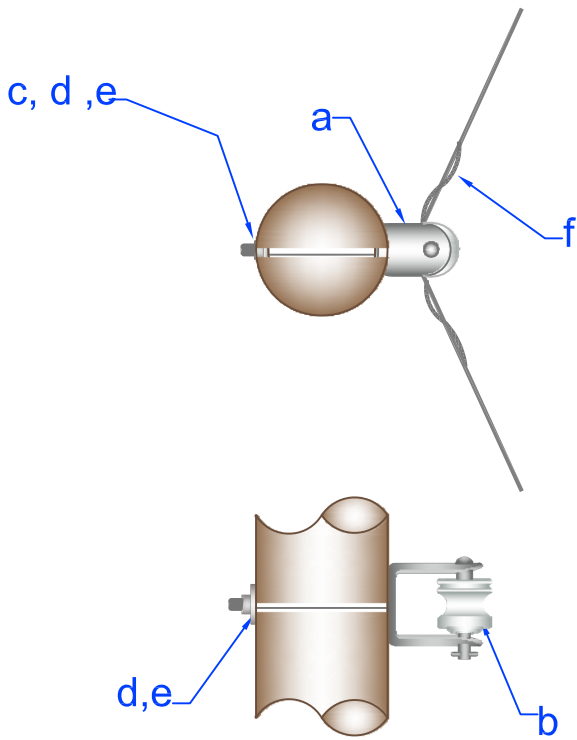


PEDERNALES ELECTRIC
COOPERATIVE, INC.
CONSTRUCTION ASSEMBLY UNIT

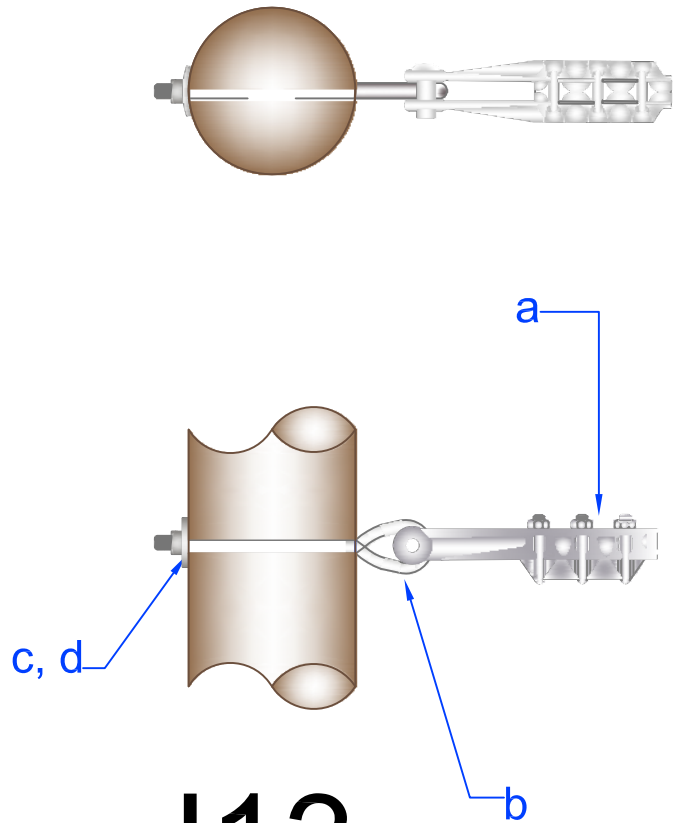
Secondary Assemblies

drawn: REB	approved: MJB	date: March 23, 2012
----------------------	-------------------------	-------------------------

J5, J6, J8



J10



J13

Unit	Item	Material Number	Item Quantity	Item Description
J10	a	2000148	1	Bracket DA Clevis
	b	2000544	1	Insulator Spool CI 53-2
	c	*	1	Bolt Machine 5/8"
	d	*3000240	1	Washer Sq 2 1/7
	e	*3000153	1	Locknut 5/8" MF
	f	*	As Required	Conductor Ties
J13	a	2000246	1	Clamp DE S/L Strt-1/0-336 ACSR
	b	*	1	Bolt Eye 5/8"
	c	*3000240	1	Washer Sq F 2 1/4
	d	*3000053	1	Locknut 5/8" MF

*Denotes "Grab Bag" Item.



PEDERNALES ELECTRIC
COOPERATIVE, INC.
CONSTRUCTION ASSEMBLY UNIT

Secondary or Neutral Assembly

drawn:	approved	date:
REB	MJB	March 23, 2012

J10/J13