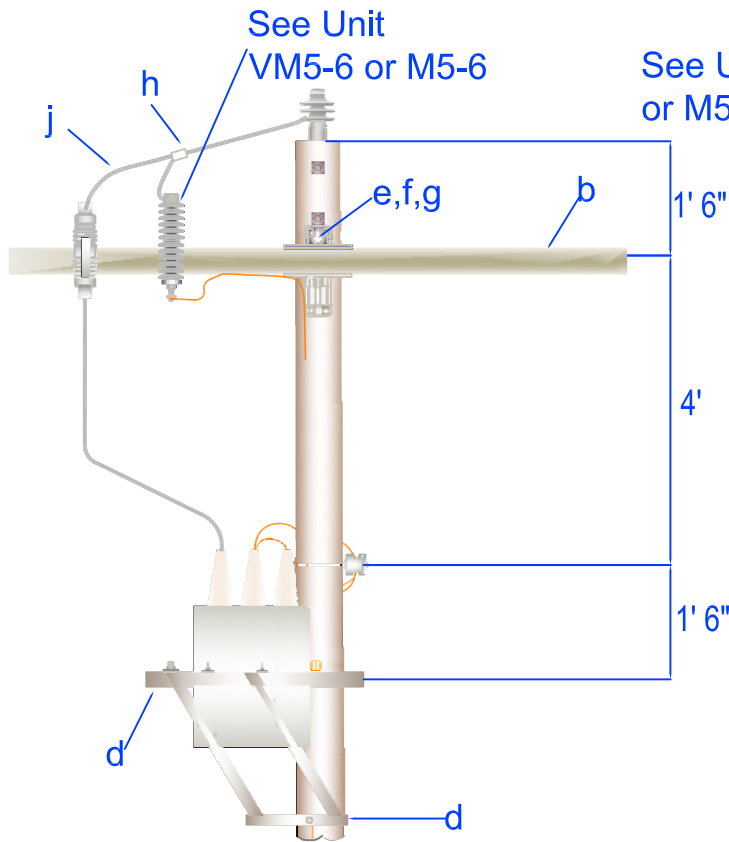


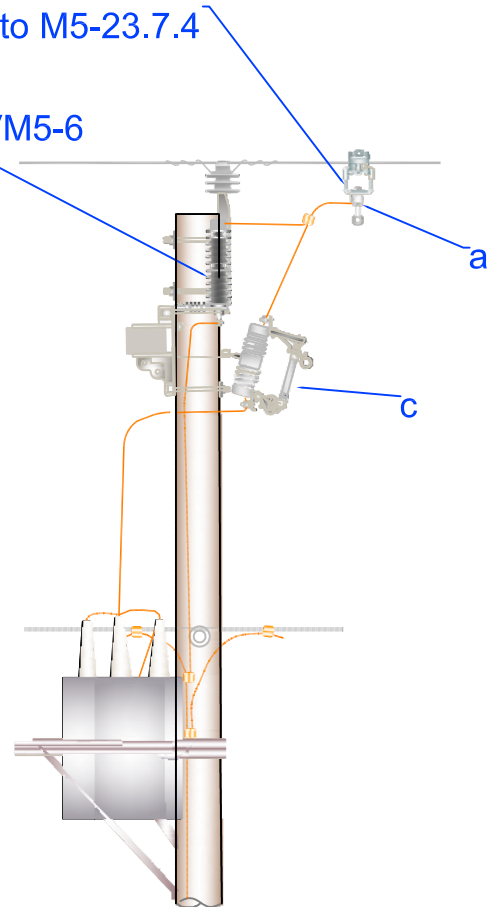
Notes:

1. Specify number and KVAR required.
2. Load break cutouts for installations over 75 kVAR.
3. Specify insulating caps for primary terminal bushings.

See Units M5-23.1.1 to M5-23.7.4



See Unit VM5-6 or M5-6



Item	Material Number	Item Quantity	Item Description	Item	Material Number	Item Quantity	Item Description
a	2000278	1	Conn HL GP 8-2/0-8-1/0	f	*	2	Bolt Machine 5/8"
b	2001328	1	Xarm Fbrgls 8'	g	*3000240	2	Washer Sq F 2 1/4
c	2000425	1	Cutout 24.0KV 100A w/LB	h	*	As Required	Connectors
d	2000501	1	Hanger Cap 3 & 6 Unit	j	*	As Required	Jumpers, #6 riser cable cu stranded
e	*3000152	2	Locknut 5/8" M F				

*Denotes "Grab Bag" item. Bolt length is dependent on pole class.

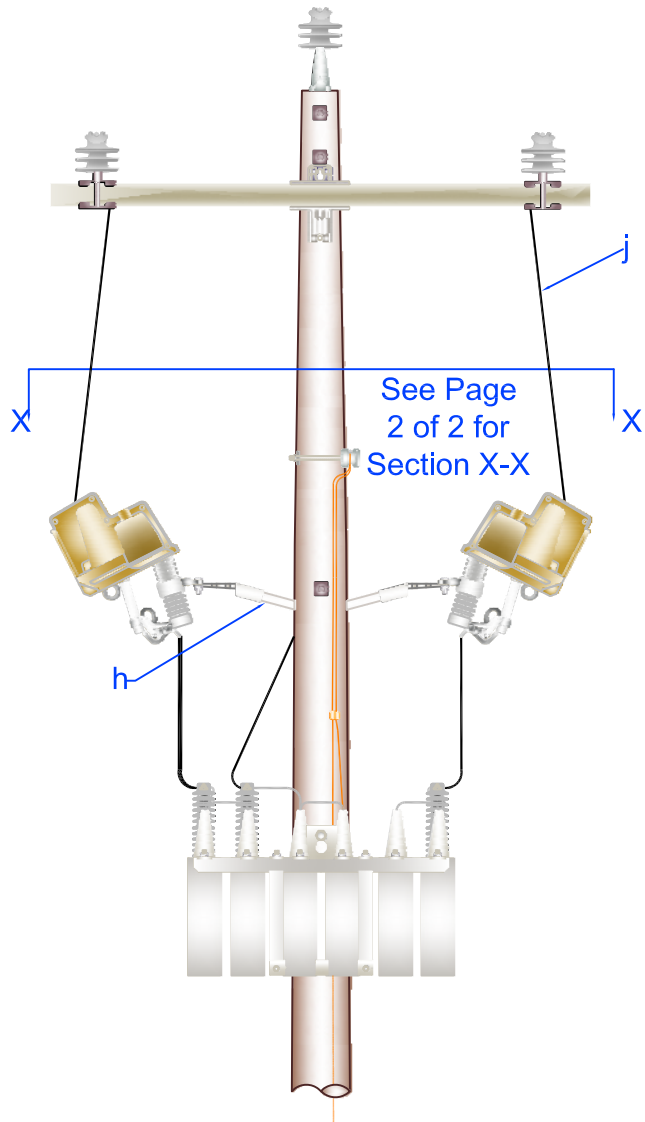
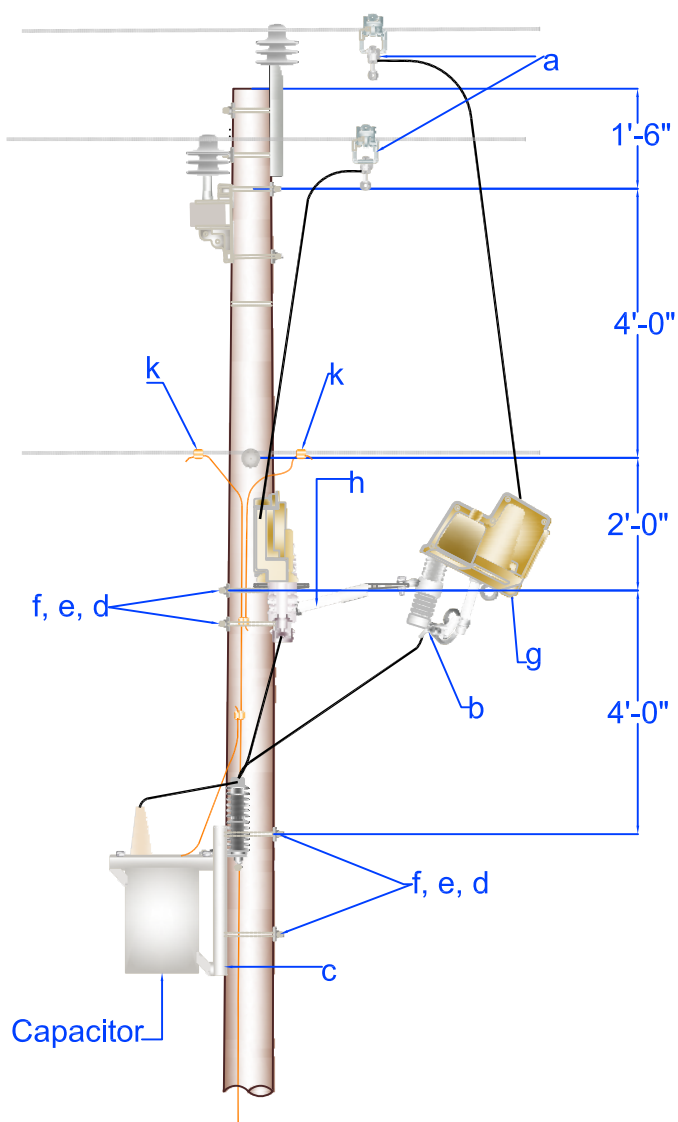


PEDERNALES ELECTRIC
COOPERATIVE, INC.
CONSTRUCTION ASSEMBLY UNIT

Single Phase Capacitor Assembly

drawn: REB	approved MJB	date: August 1, 2014
----------------------	------------------------	-------------------------

M9-11



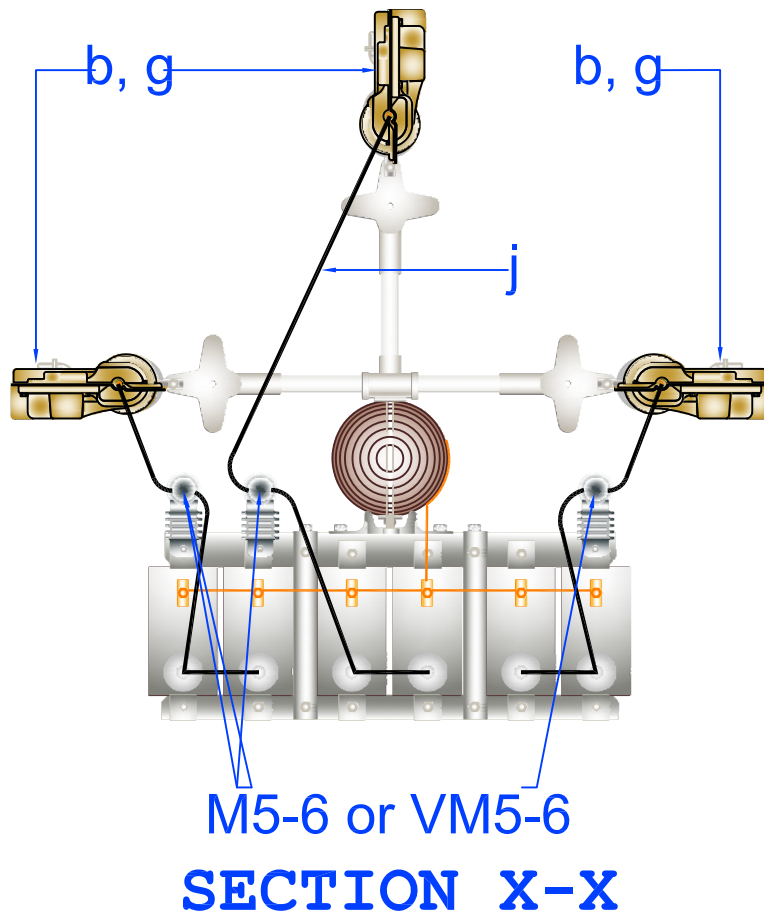
PEDERNALES ELECTRIC
COOPERATIVE, INC.
CONSTRUCTION ASSEMBLY UNIT

3 Phase Capacitor

Page 1 of 2

drawn:	approved	date:
REB	MJB	March 30, 2012

M9-13



Capacitor Fusing		Single Phase / Three Phase KVAR				
		50/150	100/300	150/450	200/600	300/900
7.2/12.47 kV	Load Amp	6.9	13.9	20.8	27.8	41.7
	Fuse Size*	10	20	25	30	65
14.4/24.9 kV	Load Amp	3.5	7	10.4	13.9	20.9
	Fuse Size*	5	10	15	20	25

*Fuse Sizes are based on using Kearney 200N fuse.

Notes:

1. Specify number and KVAR required.
2. Load break cutouts for installations over 75 KVAR /phase.
3. Specify insulating caps for primary terminal bushings.

Item	Material Number	Item Quantity	Item Description	Item	Material Number	Item Quantity	Item Description
a	2000278	3	Conn HL GP 8-2/0-8-1/0	f	*	4	Bolt Machine 5/8"
b	2000425	3	Cutout 24.9 KV 100A w/LB	g	2000497	3	Guard Fused LB Cutout Cover
c	2000501	1	Hanger Cap 3 & 6 Unit	h	2000151	1	Bracket Equipment Mount FG 3Ph
d	*3000153	4	Locknut 5/8" MF	j	*	As Required	Jumpers
e	*3000240	4	Washer 2 1/4	k	*	As Required	Connectors

* Denotes "Grab Bag" item. Bolt lengths are dependent on pole class.



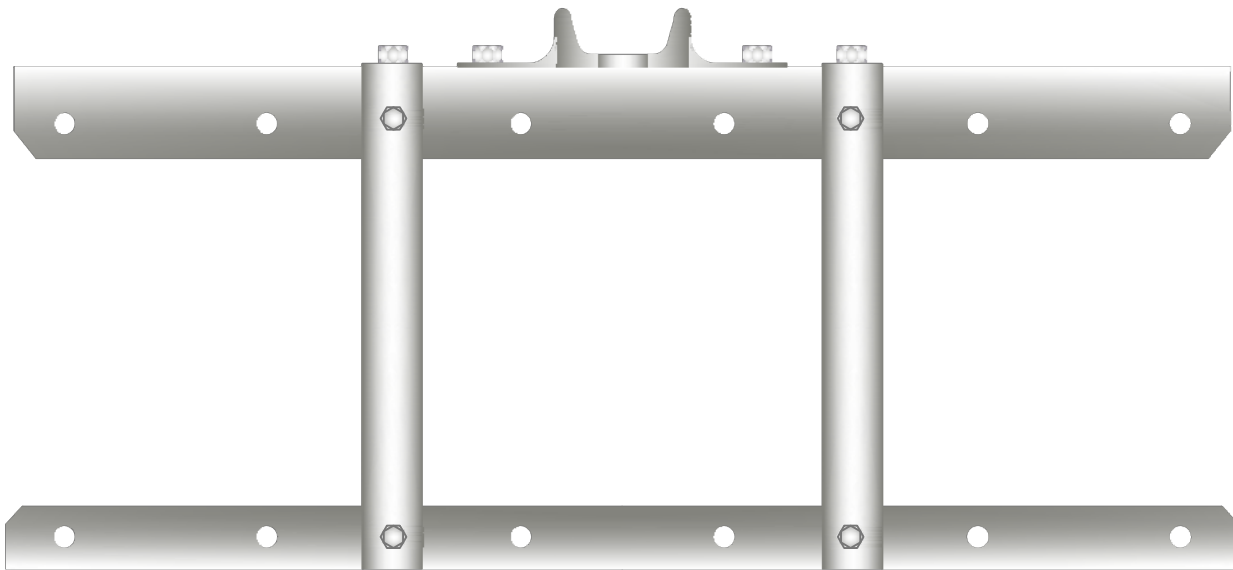
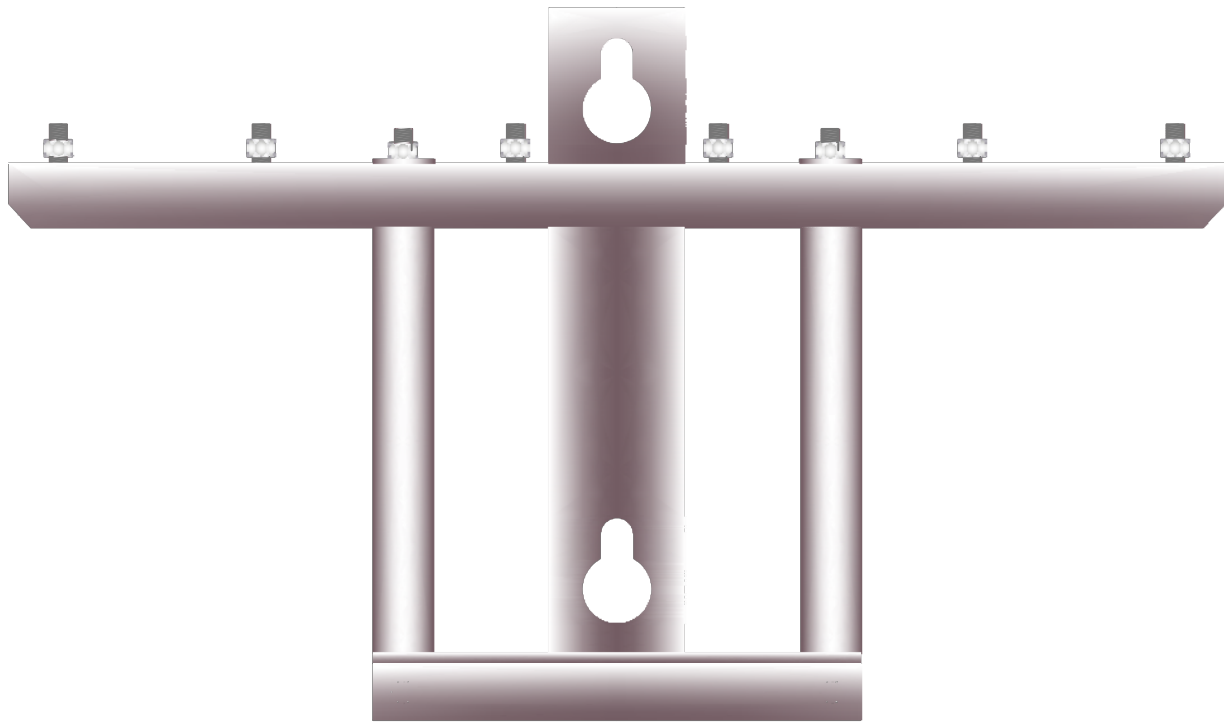
PEDERNALES ELECTRIC
COOPERATIVE, INC.
CONSTRUCTION ASSEMBLY UNIT

3 Phase Capacitor

Page 2 of 2

drawn:	approved	date:
REB	MJB	March 30, 2012

M9-13



Item	Material Number	Item Quantity	Item Description
a	2000501	1	Hanger Cap 3 & 6 Unit



PEDERNALES ELECTRIC
COOPERATIVE, INC.
CONSTRUCTION ASSEMBLY UNIT

Capacitor Hanger Three & Six Unit

drawn:	approved	date:
REB	MJB	March 30, 2012

M9-20