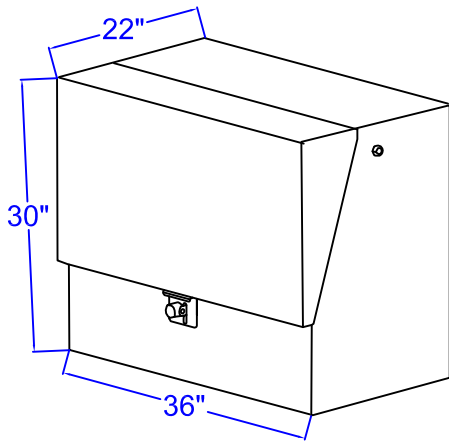
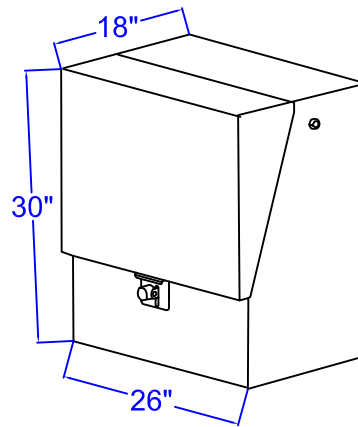


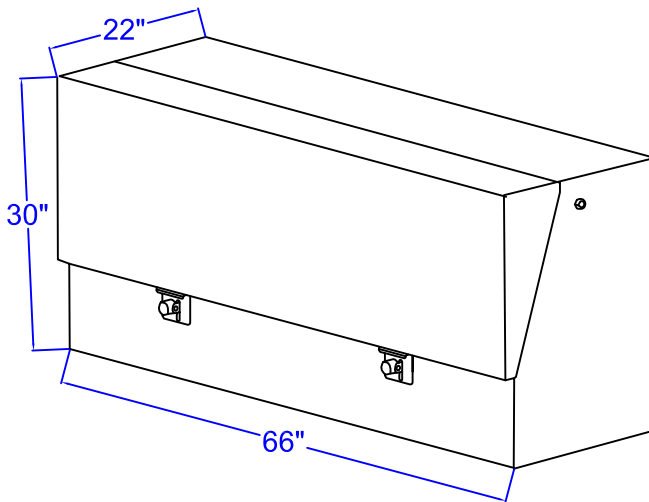
UM30



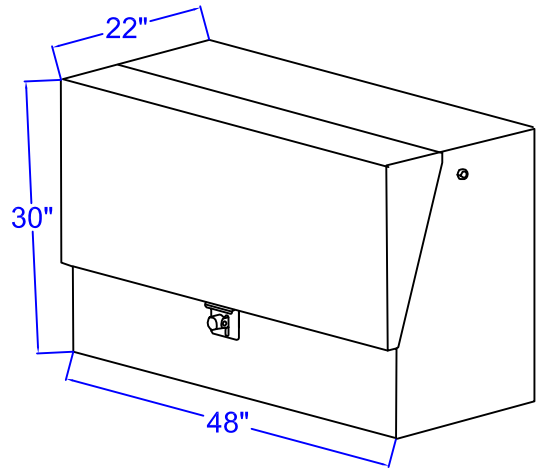
UM31



UM33



UM32



Material Number	Material Description	UM30	UM31	UM32	UM33
2001500	Enclosure Sect PM 1Ph 30X36X22	1			
2000452	Enclosure Sect PM 1Ph 30X26X18		1		
2000447	Enclosure 3Ph w/o Trm 30x48x22			1	
2000448	Enclosure 3Ph w/o Trm 30x66x22				1



URD CONSTRUCTION SPECIFICATIONS

Primary Enclosures

drawn: JBS	approved MJB	date: July 15, 2013	201-002-0713