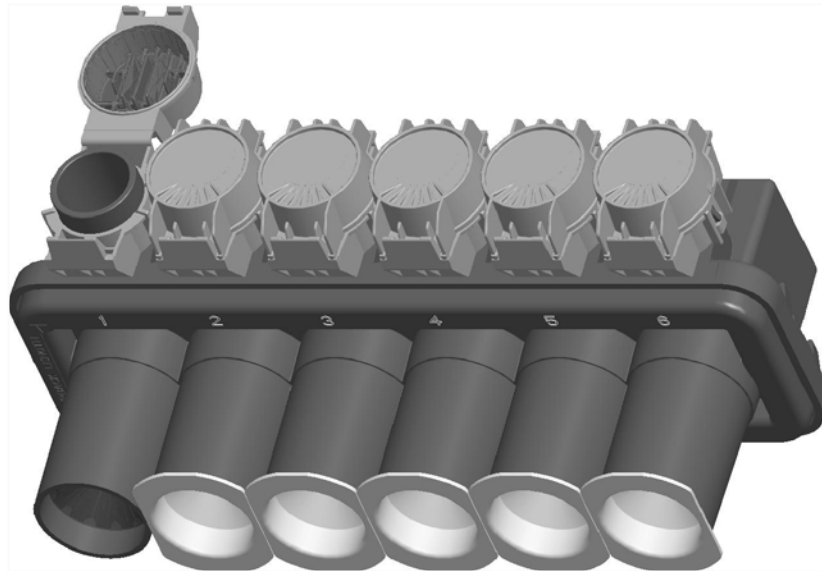
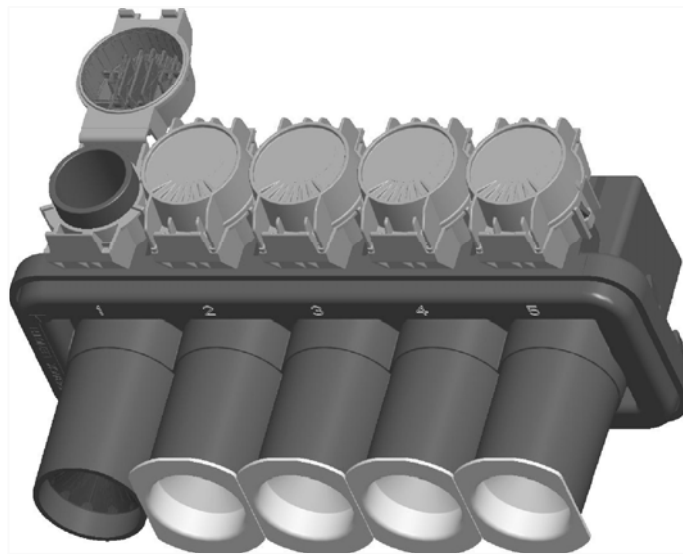


UJ1-5



UJ1-4



Material Number	Material Description	UJ1-4	UJ1-5
2000389	Conn URD Ped 5 Cond 6-350 WP	3	
2000388	Conn URD Ped 6 Cond 6-500 WP		3



URD CONSTRUCTION
SPECIFICATIONS

Secondary Connectors for
URD Pedestals

drawn: JBS	approved MJB	date: December 17, 2013	500-008-0713