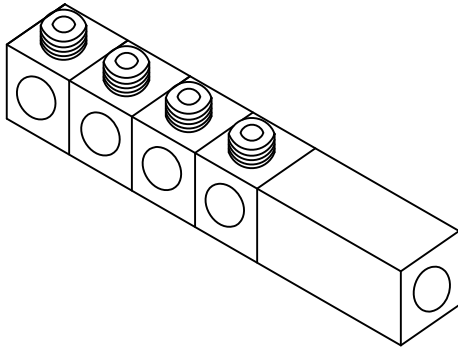
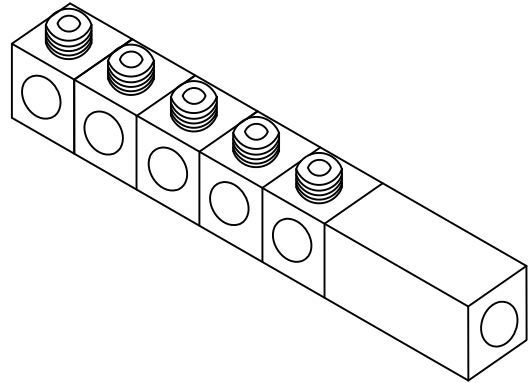


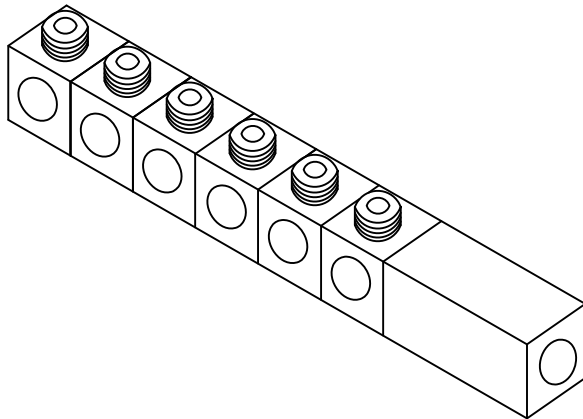
UJ2-4  
UJ3-4



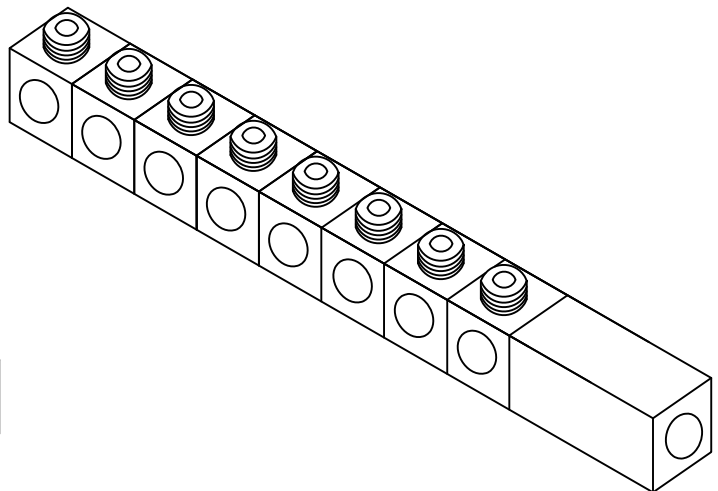
UJ2-5  
UJ3-5



UJ2-6 UJ5-6  
UJ3-6



UJ5-8



Material Number	Material Description	0-75 KVA			100-250 KVA			0-250 KVA	
		UJ2-4	UJ2-5	UJ2-6	UJ3-4	UJ3-5	UJ3-6	UJ5-6	UJ5-8
2000356	Conn Stud Ins 5/8-4-350 (4H)	2							
2000363	Conn Stud Non-Ins 5/8"-4-350	1							
2000357	Conn Stud Ins 5/8-5-350 (5H)		2						
2000364	Conn Stud Non-Ins 5/8"-5-350		1						
2000358	Conn Stud Ins 5/8-6-350 (6H)			2					
2000365	Conn Stud Non-Ins 5/8"-6-350			1					
2000351	Conn Stud Ins 1-4-500 (4H)				2				
2000360	Conn Stud Non-Ins 1-4-500 (4H)				1				
2000352	Conn Stud Ins 1-5-500 (5H)					2			
2000359	Conn Stud Non-Ins 1 5-500 (5H)					1			
2000353	Conn Stud Ins 1-6-500 (6H)						2		
2000361	Conn Stud Non-Ins 1-6-500 (6H)						1		
2000354	Conn Stud Ins 5/8-1 500 6H							1	
2000355	Conn Stud Ins 5/8-1 500 8H								1



URD CONSTRUCTION SPECIFICATIONS

Secondary Single Phase Padmount Transformer Connectors

drawn:	approved	date:	500-009-0713
JBS	MJB	July 15, 2013	