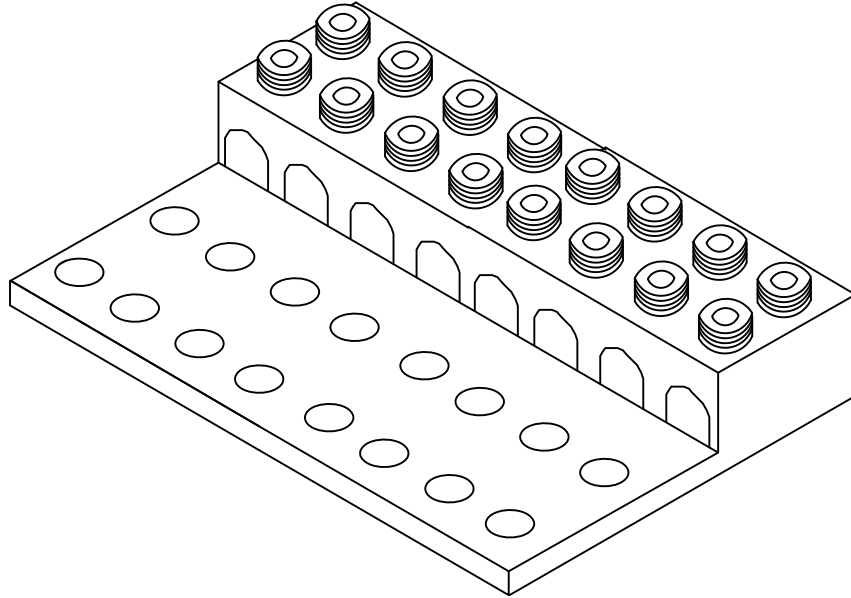
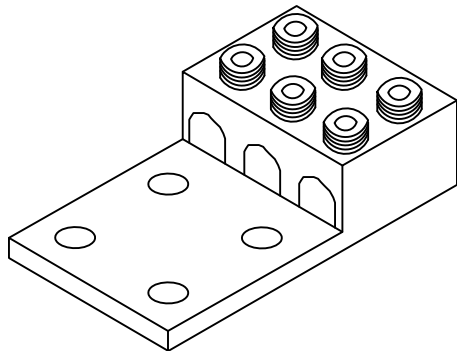


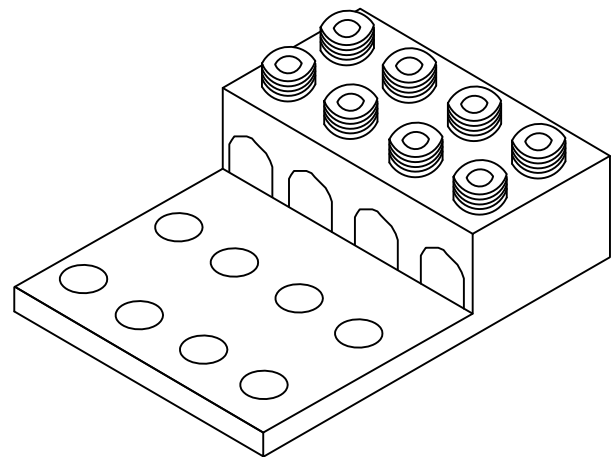
UJ6-8



UJ6-3



UJ6-4



Material Number	Material Description	UJ6-3	UJ6-4	UJ6-8
2000370	Conn Ter 1/0-750Al CU 3 Cnd 4H	4		
2000369	Conn Ter 1/0-750 Al-CU-4Cnd 8H		4	
2000366	Conn Ter 1/0-1000MCM 8 Cnd 16H			4



URD CONSTRUCTION SPECIFICATIONS

Secondary Transformer Paddles

drawn:	approved	date:	500-010-0713
JBS	MJB	July 15, 2013	