

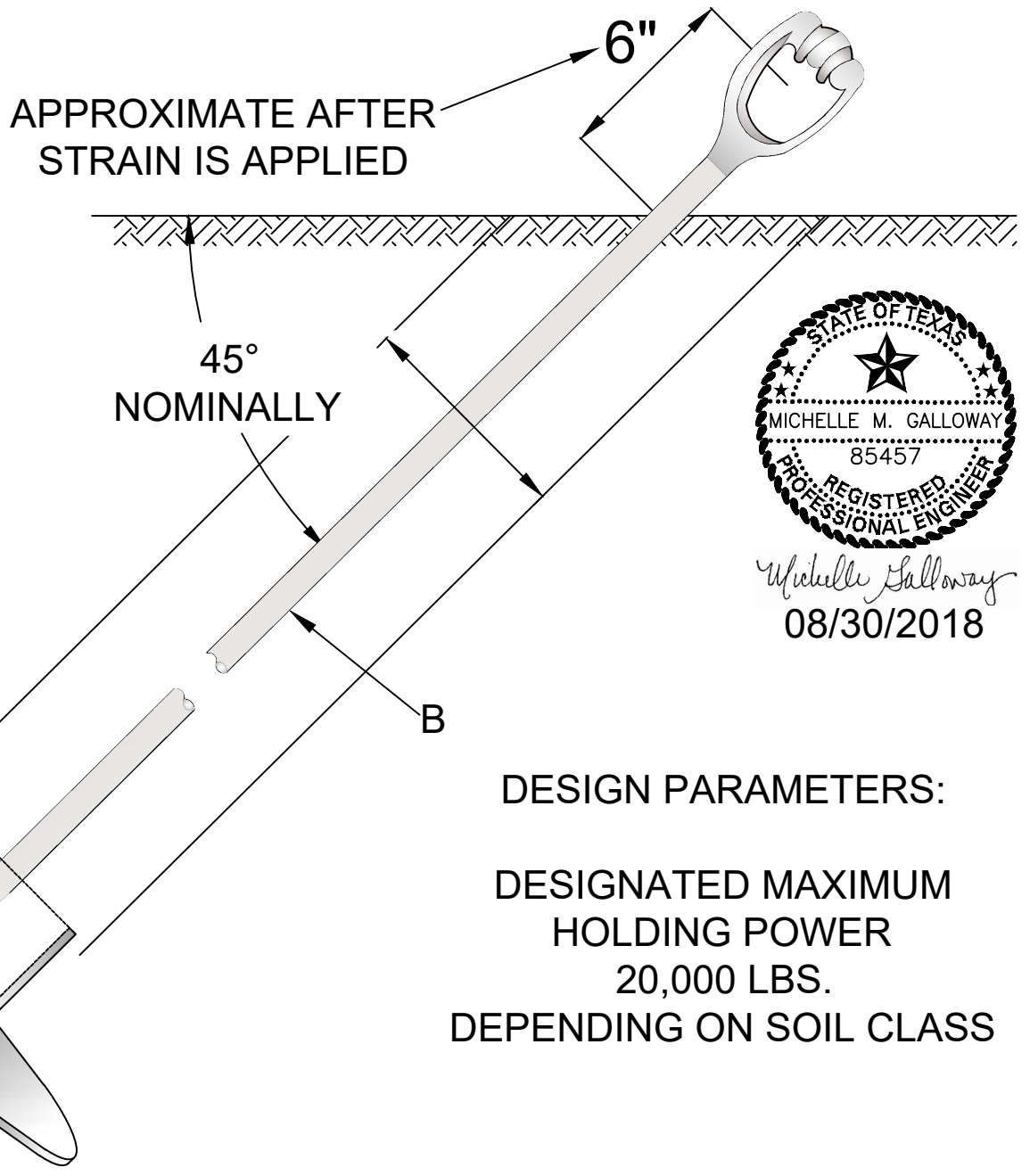
Failure to install within 5° of alignment with the guy load will significantly lower strength.

Item	Material Number	Item Quantity	Item Description
a	2000004	1	Anchor 10,000 - 12,000 LB
b	2000841	1	Rod Anchor 3/4" x 8' Twin Eye



PEDERNALES ELECTRIC
COOPERATIVE, INC.
CONSTRUCTION ASSEMBLY UNIT

Line Assembly Anchor			F1-3
10,000 pound 3/4" x 8' Rod			
drawn: REB	approved MJB	date: August 7, 2013	



FAILURE TO INSTALL WITHIN 5° OF ALIGNMENT WITH THE GUY LOAD WILL SIGNIFICANTLY LOWER STRENGTH.

ITEM	MATERIAL NUMBER	DESCRIPTION	QUANTITY
A	2002689	PISA ROD W/ EYELET	1
B	2002688	ANCHOR PISA 10k LBS.	1

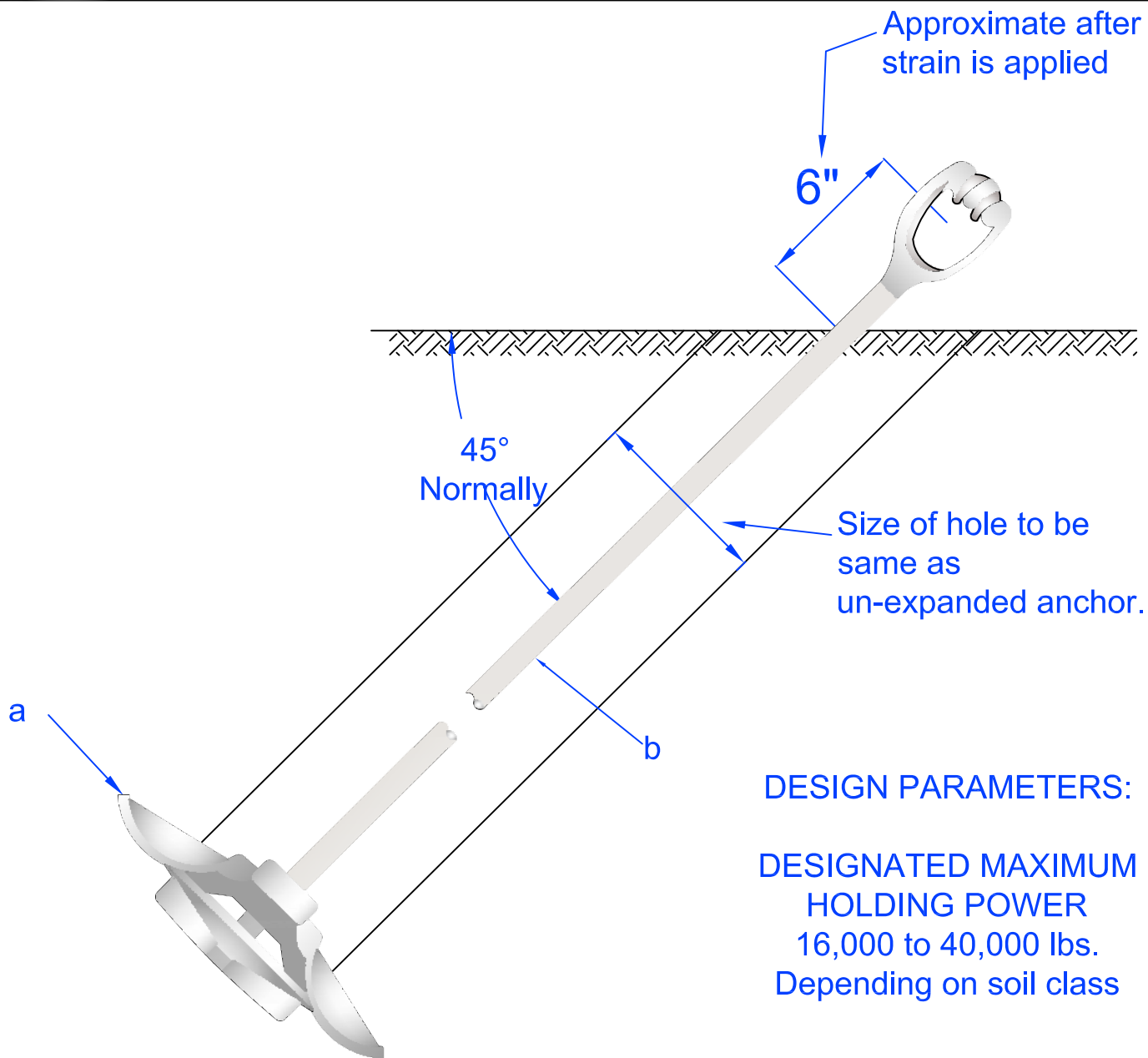
REV | A | DATE | 08/15/2018 | REVISION | ISSUE FOR CONSTRUCTION | BY | RWC | CHK | | APR |



CONSTRUCTION
ASSEMBLY UNIT

ANCHOR 3/4" X 7' ROD
10k LBS. PISA ANCHOR

drawn: JDN	approved: MMG	date: 05/16/2018	F1-3.1
---------------	------------------	---------------------	--------



DESIGN PARAMETERS:

DESIGNATED MAXIMUM HOLDING POWER
 16,000 to 40,000 lbs.
 Depending on soil class

Failure to install within 5° of alignment with the guy load will significantly lower strength.

Item	Material Number	Item Quantity	Item Description
a	2000005	1	Anchor 16,000 - 40,000 LB
b	2000840	1	Rod Anchor 1" x 10' Twin Eye

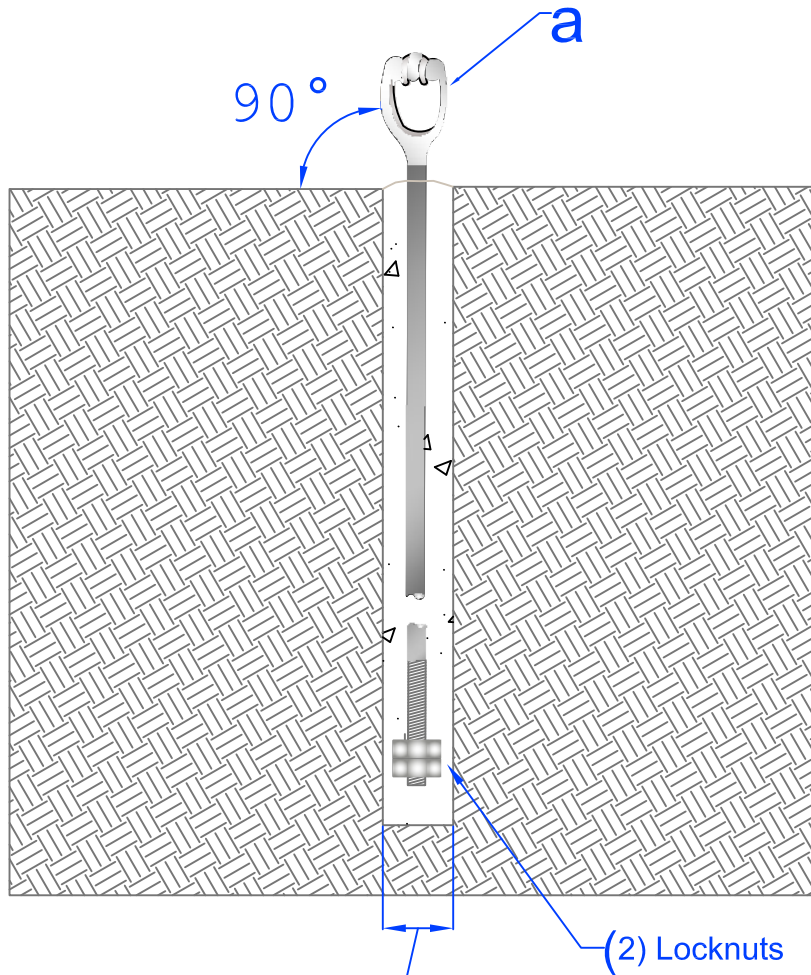


PEDERNALES ELECTRIC
 COOPERATIVE, INC.
 CONSTRUCTION ASSEMBLY UNIT

Line Assembly Anchor
16,000 - 40,000 pound 1" x 10' Rod

drawn:	approved	date:
REB	MJB	August 7, 2013

F1-4



1 3/4" Diameter hole For 3/4" Rod
 2 1/2" Diameter Hole For 1" Rod

Item	Material Number	Item Quantity	Item Description
a	2000841	1	Rod Anchor 3/4" x 8' Twin Eye

These ratings are for installations in solid rock. When installed in anything less than solid rock the rating for a 3/4" rod is 10,000 pounds and the 1.0" rod should not be used.

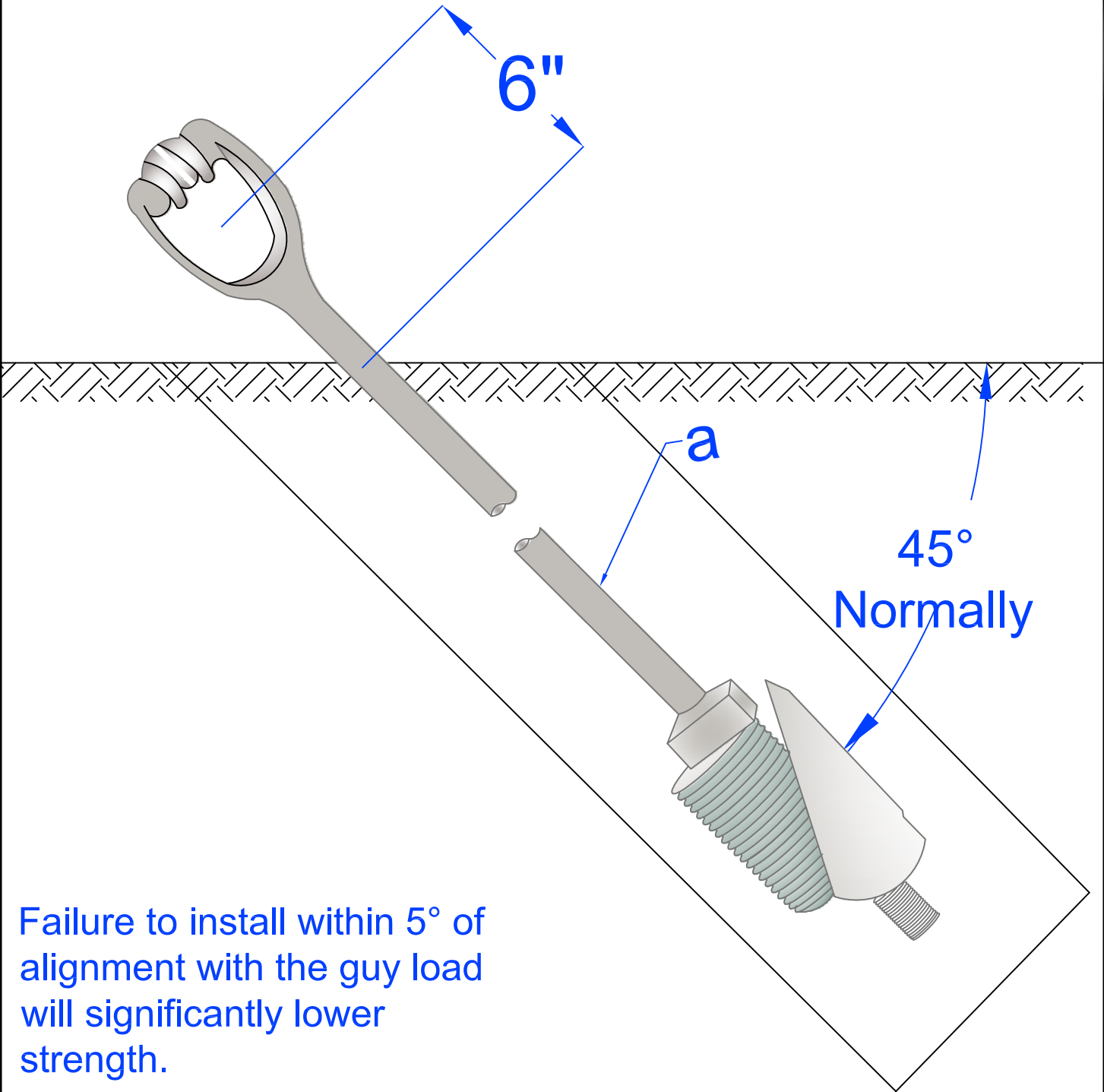


PEDERNALES ELECTRIC
 COOPERATIVE, INC.
 CONSTRUCTION ASSEMBLY UNIT

8' Grouted Rock Anchor

drawn:	approved	date:
REB	MJB	August 7, 2013

F2-1



Failure to install within 5° of alignment with the guy load will significantly lower strength.

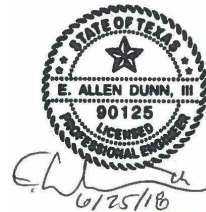
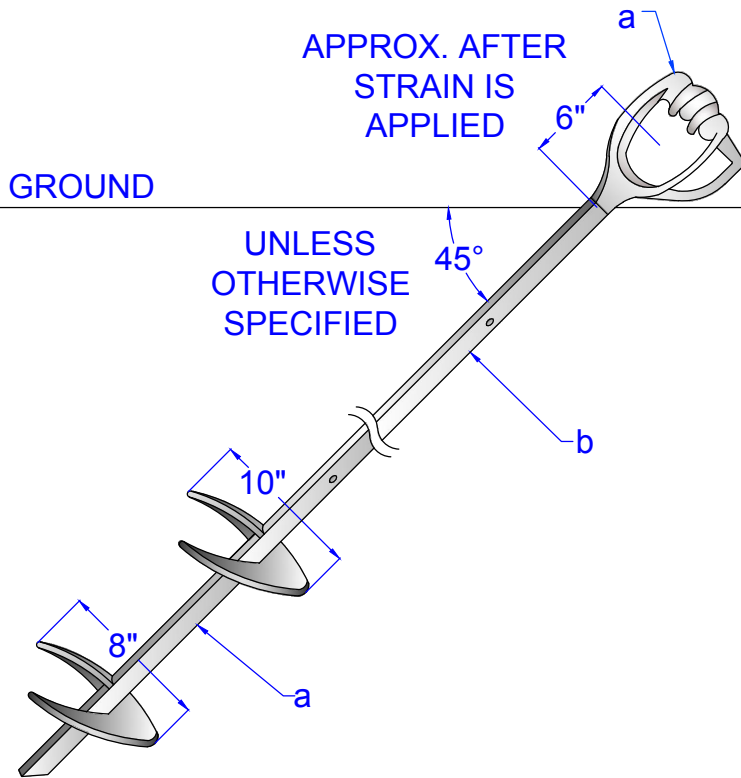
Item	Material Number	Item Quantity	Item Description
a	2000007	1	Anchor Rock Expanding 3/4" x 53" - 23,000 LB



PEDERNALES ELECTRIC
COOPERATIVE, INC.
CONSTRUCTION ASSEMBLY UNIT

Expanding Rock Anchor

drawn:	approved	date:	F3-2
REB	MJB	August 5, 2013	



DESIGN PARAMETERS: Designated maximum holding power is 17,000 to 63,000 lbs depending on soil class and installation torque. Screw anchors should be utilized in sand, silt, and clay soils such as those typically found east of IH-35 in the Kyle District. These anchors should NOT be used in soils that consist of peat, organic silts, inundated silts, very loose sands, and soft clays. These anchors may also be difficult to install where very dense and/or cemented sands, coarse gravels, cobbles, and or boulders are present. Failure to install within 5° of alignment with the guy load will significantly lower strength.

Item	Material Number	Item Quantity	Item Description
a	2000008	1	Anchor Screw 2 Helix 1 1/2 x 3'
b	2000454	1	Ext Screw Anchor 1 1/2" x 7'



PEDERNALES ELECTRIC
COOPERATIVE, INC.
CONSTRUCTION ASSEMBLY UNIT

Distribution Helix Anchor Assembly Multi Phase

drawn:	approved	date:
M&S JS	MMG	May 5, 2018

TA4.1