

SPECIFICATIONS FOR METERS

METER ASSEMBLY UNITS	
METER00	METER FORM 2S CL200
METER03	METER FORM 2S CL320
METER05	METER FORM 3S
METER08	METER FORM 4S
METER10	METER FORM 5S SS
METER12	METER FORM 6S SS
METER14	METER FORM 9S SS
METER16	METER FORM 12S SS
METER18	METER FORM 16S SS
METER28	METER FORM 2S WITH SD

METERING TYPES AND SIZES

METER FORM NUMBER	PHASE	VOLTAGE	CURRENT	COMMENTS
1S	1Ø	120V	CL 200	REMOVAL ONLY
2S	1Ø	120/240V	CL 200	SELF CONTAINED
2S	1Ø	120/240V ON RACK	CL 320	SELF CONTAINED
3S	1Ø	HIGH VOLTAGE	CL 20	PME
4S	1Ø	120/240V OR 240/480V	CL 20	CT METER
5S	3Ø	240/480V OR 480V	CL 20	CT 2 ELEMENT METER
6S	3Ø	277/480V	CL 20	REMOVAL ONLY
9S	3Ø	120/208V, 120/240V, 277/480V	CL 20	CT METER
12S	1Ø	120/208V	CL 200	SELF CONTAINED 3W 208V
16S	3Ø	120/240V OR 120/208V	CL 320	SELF CONTAINED

REV A DATE 02/28/2019 REVISION ISSUE FOR CONSTRUCTION BY RWC CHK MMG APR MMG



PEDERNALES ELECTRIC
COOPERATIVE, INC.

OPERATIONS MANUAL METER SPECIFICATIONS

drawn: RWC	approved: MMG	date: 02/28/2019	M NUMBERING-1
---------------	------------------	---------------------	---------------

SPECIFICATIONS FOR METERS

CT PACKAGE ASSEMBLY UNITS NUMBERING

POSITION ONE METER TYPE
M8 = OVERHEAD
M6 = UNDERGROUND
MC = METER CABINET
MT = TRANSOCKET
M-TR = CT ON TRANS RACK

POSITION TWO PHASE VOLTAGE
1 = SINGLE PHASE 120/240V
3 = THREE PHASE 480V DELTA
4 = SINGLE PHASE 480V
6 = THREE PHASE 120/240V or 120/208V
7 = THREE PHASE 277/480V

POSITION THREE CT SIZE TO BE DETERMINED BY LOAD
0 = TO BE DETERMINED
1 = 100:5
2 = 200:5
3 = 300:5
4 = 400:5
N = (Nx100):5

REV | A | DATE | 02/28/2019 | REVISION | ISSUE FOR CONSTRUCTION | BY | RWC | CHK | MMG | APR | MMG



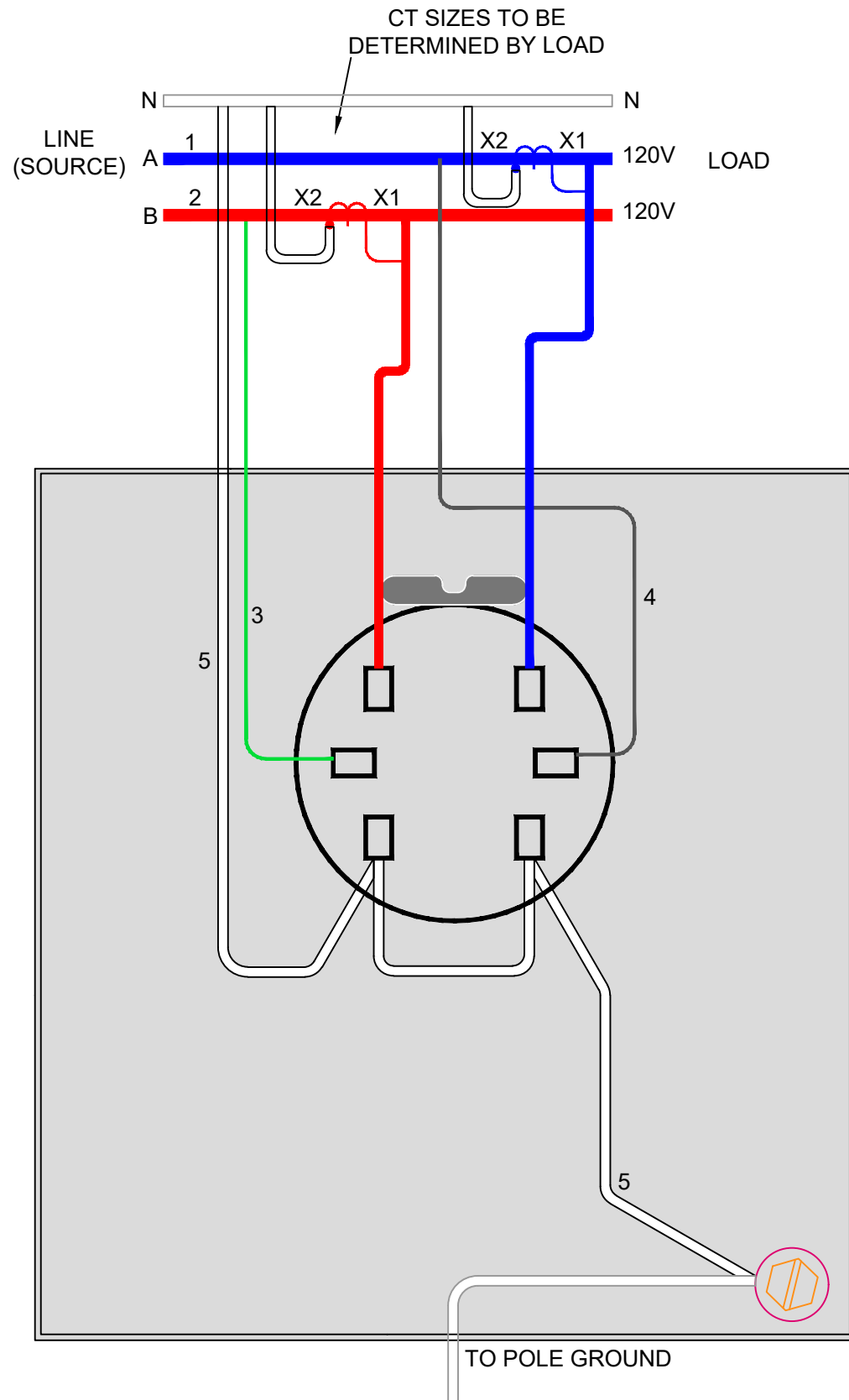
PEDERNALES ELECTRIC
COOPERATIVE, INC.

OPERATIONS MANUAL
METER SPECIFICATIONS

drawn: RWC	approved: MMG	date: 02/28/2019	M NUMBERING-2
---------------	------------------	---------------------	---------------

SPECIFICATIONS FOR METERS

1Ø, 120/240V FORM 4S METER
WITH 2 CTs AND PLUNGER

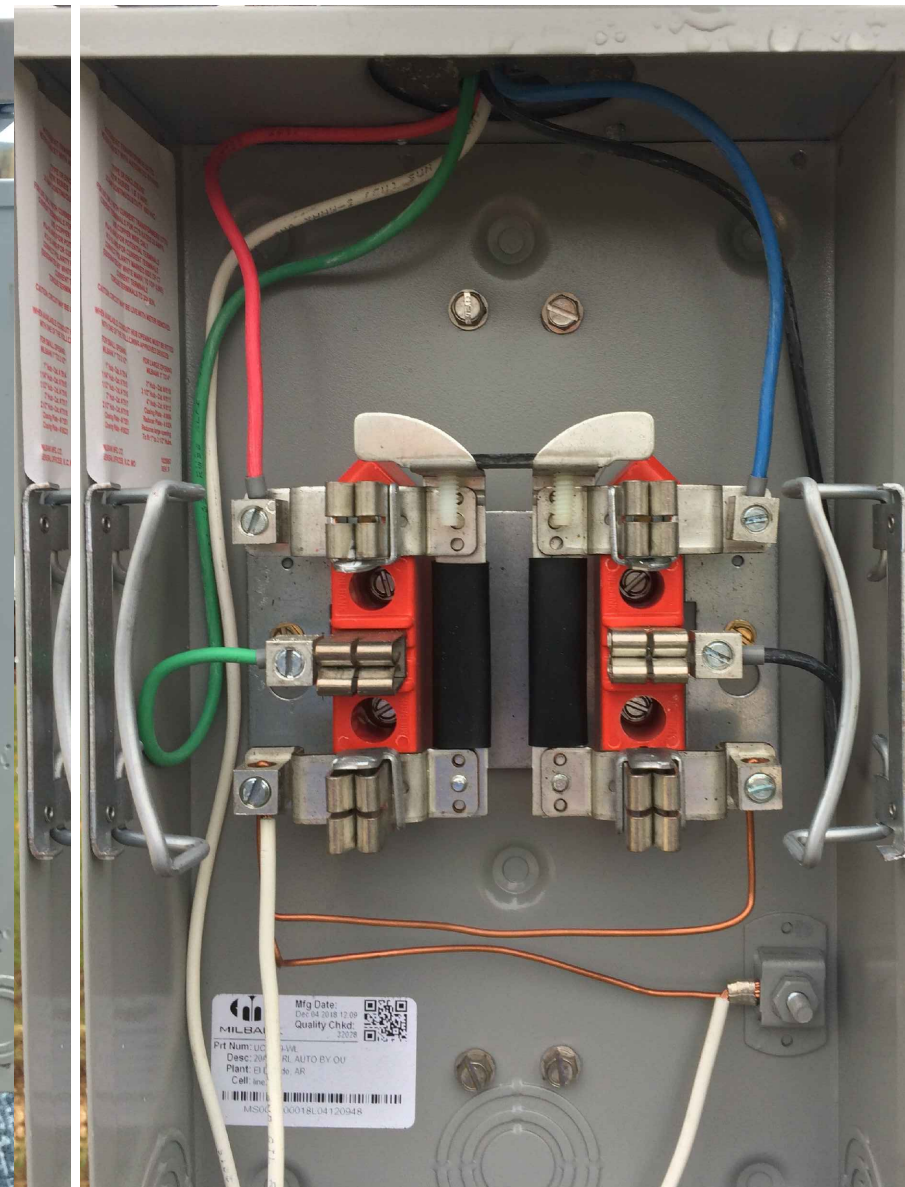


WIRE NO.	WIRE COLOR	FOR
1	BLUE	C
2	RED	C
3	GREEN	V
4	BLACK	V
5	WHITE OR BARE COPPER	G/N

C=CURRENT, V=VOLTAGE, G/N=GROUND/NEUTRAL



METER INSTALLED



PEDERNALES ELECTRIC
COOPERATIVE, INC.

REV	DATE	REVISION	BY	CHK	APR	REV	DATE	REVISION	BY	CHK	APR
						A	4/26/2019	ISSUE FOR CONSTRUCTION	RWC	MMG	MMG

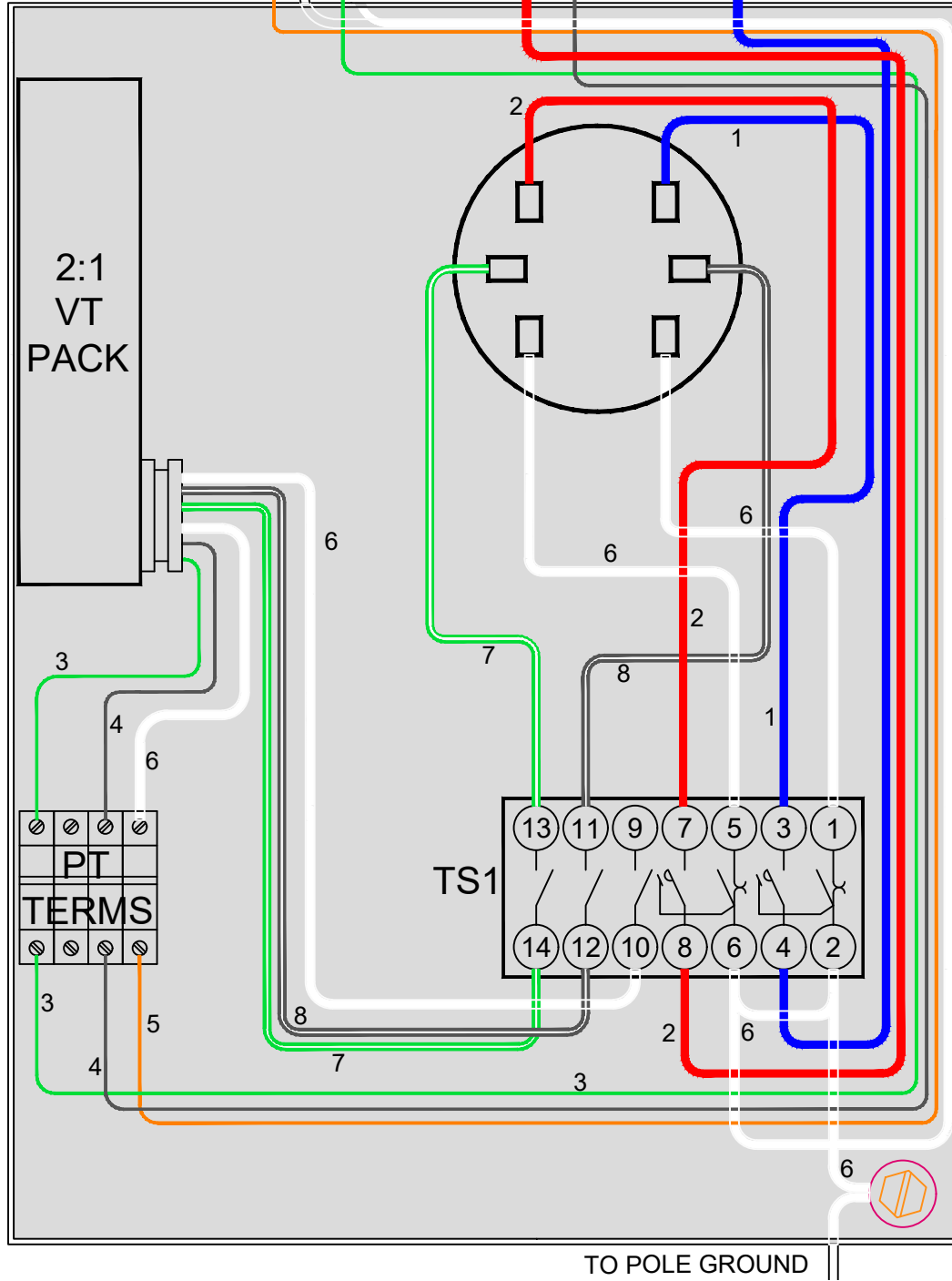
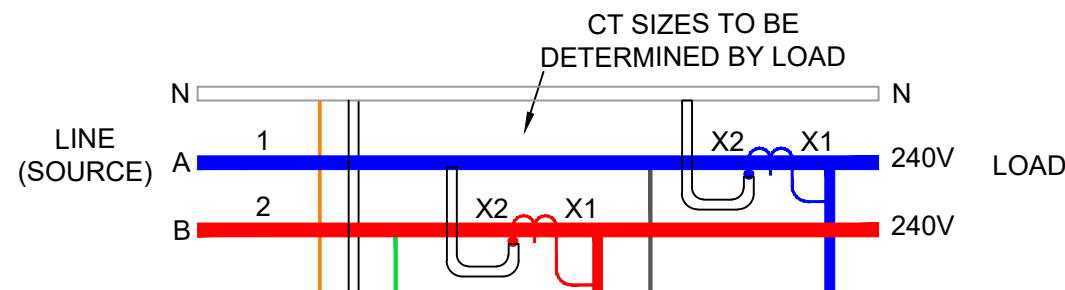
OPERATIONS MANUAL
METER SPECIFICATIONS

drawn: RWC
approved: MMG
date: 4/26/2019

M8-1-CT-4S

SPECIFICATIONS FOR METERS

1Ø, 240/480V
FORM 4S METER



WIRE NO.	WIRE COLOR	FOR
1	BLUE	C
2	RED	C
3	GREEN	V
4	BLACK	V
5	ORANGE	G/N
6	WHITE	G/N
7	GREEN/ WHITE	PT
8	BLACK/ WHITE	PT

C=CURRENT, V=VOLTAGE,
G/N=GROUND/NEUTRAL,
PT=POTENTIAL TRANSFORMER



METER INSTALLED



METER NOT INSTALLED



PEDERNALES ELECTRIC
COOPERATIVE, INC.

REV	DATE	REVISION	BY	CHK	APR	REV	DATE	REVISION	BY	CHK	APR
						A	4/26/2019	ISSUE FOR CONSTRUCTION	RWC	MMG	MMG

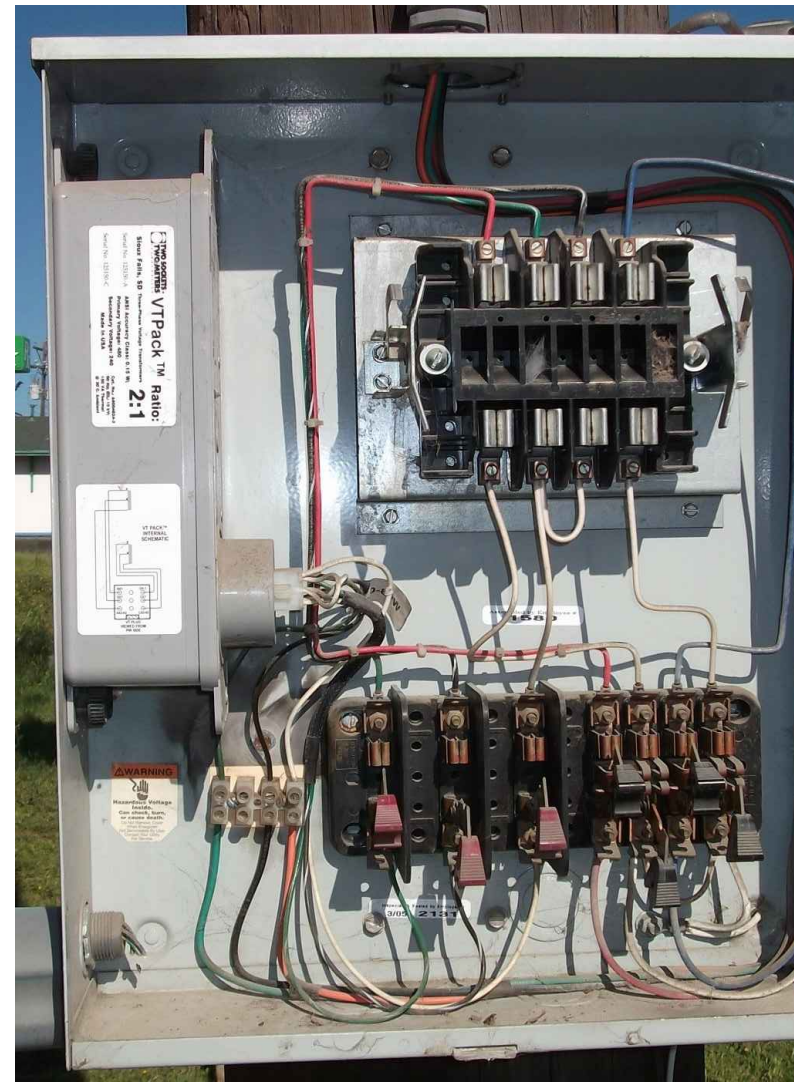
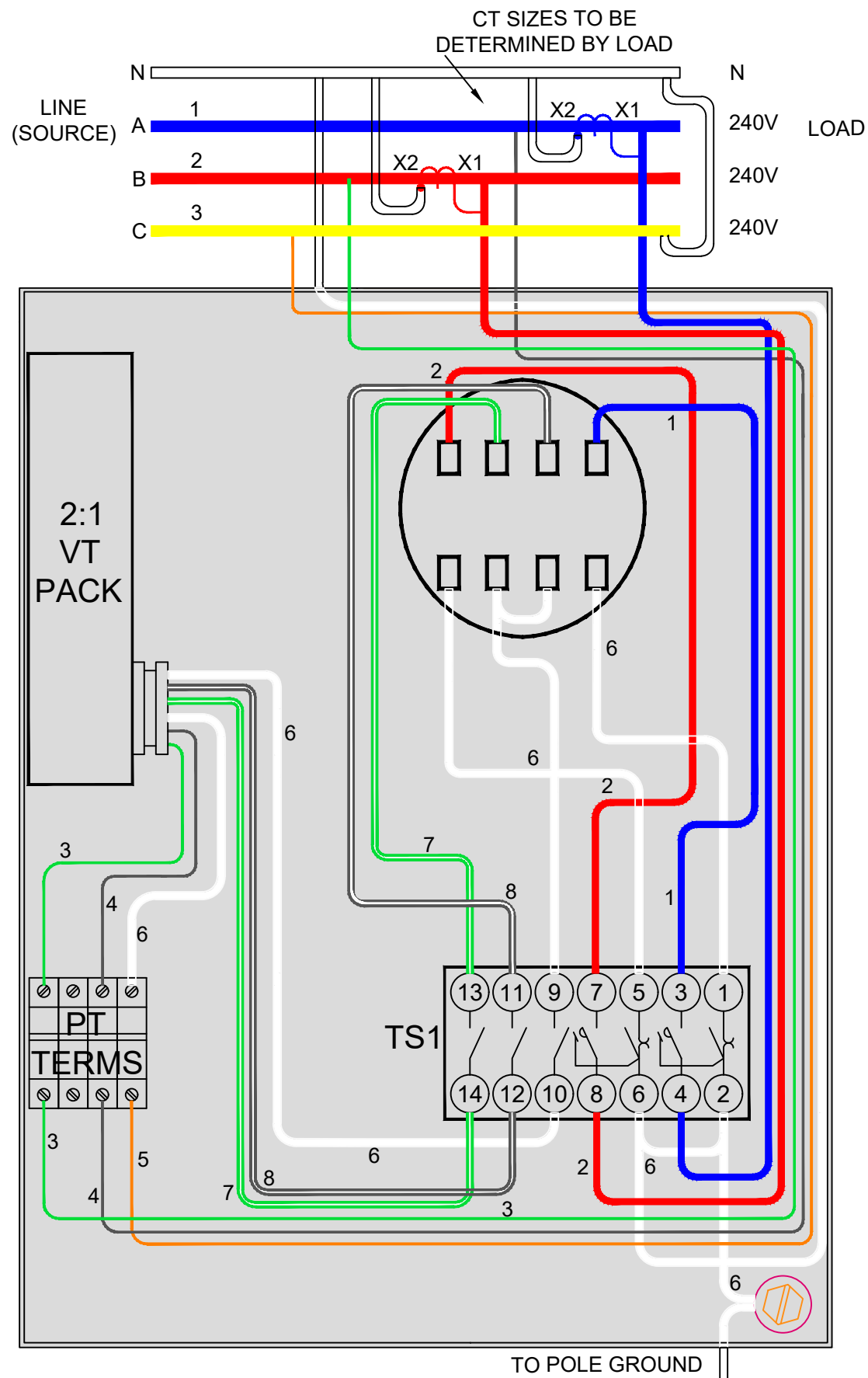
OPERATIONS MANUAL
METER SPECIFICATIONS

drawn:	approved:	date:
RWC	MMG	4/26/2019

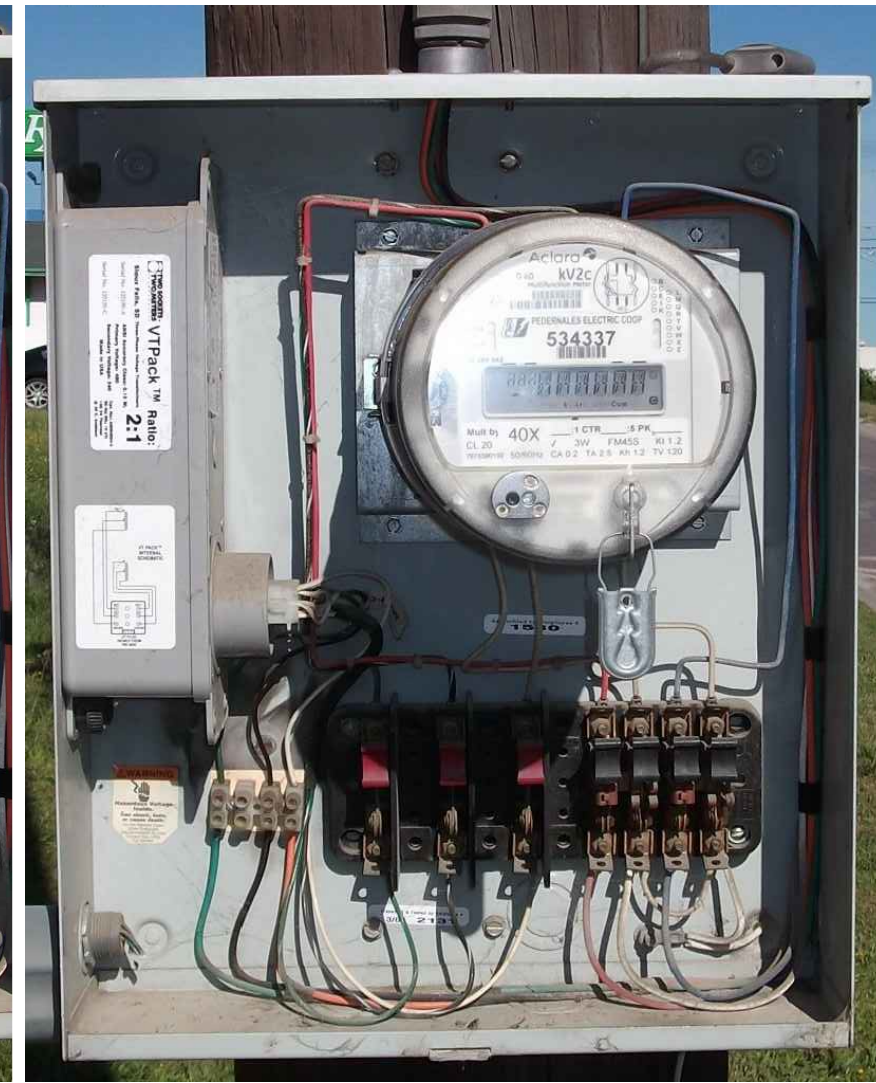
M8-4-CT-4S

SPECIFICATIONS FOR METERS

3Ø, 480V DELTA FORM 5S
WITH 2 PTs AND 2 CTs



METER NOT INSTALLED



METER INSTALLED

WIRE NO.	WIRE COLOR	FOR
1	BLUE	C
2	RED	C
3	GREEN	V
4	BLACK	V
5	ORANGE	G/N
6	WHITE	G/N
7	GREEN/ WHITE	PT
8	BLACK/ WHITE	PT

C=CURRENT, V=VOLTAGE, G/N=GROUND/NEUTRAL, PT=POTENTIAL TRANSFORMER



PEDERNALES ELECTRIC
COOPERATIVE, INC.

REV	DATE	REVISION	BY	CHK	APR	REV	DATE	REVISION	BY	CHK	APR
						A	4/26/2019	ISSUE FOR CONSTRUCTION	RWC	MMG	MMG

OPERATIONS MANUAL
METER SPECIFICATIONS

drawn: RWC
approved: MMG
date: 4/26/2019

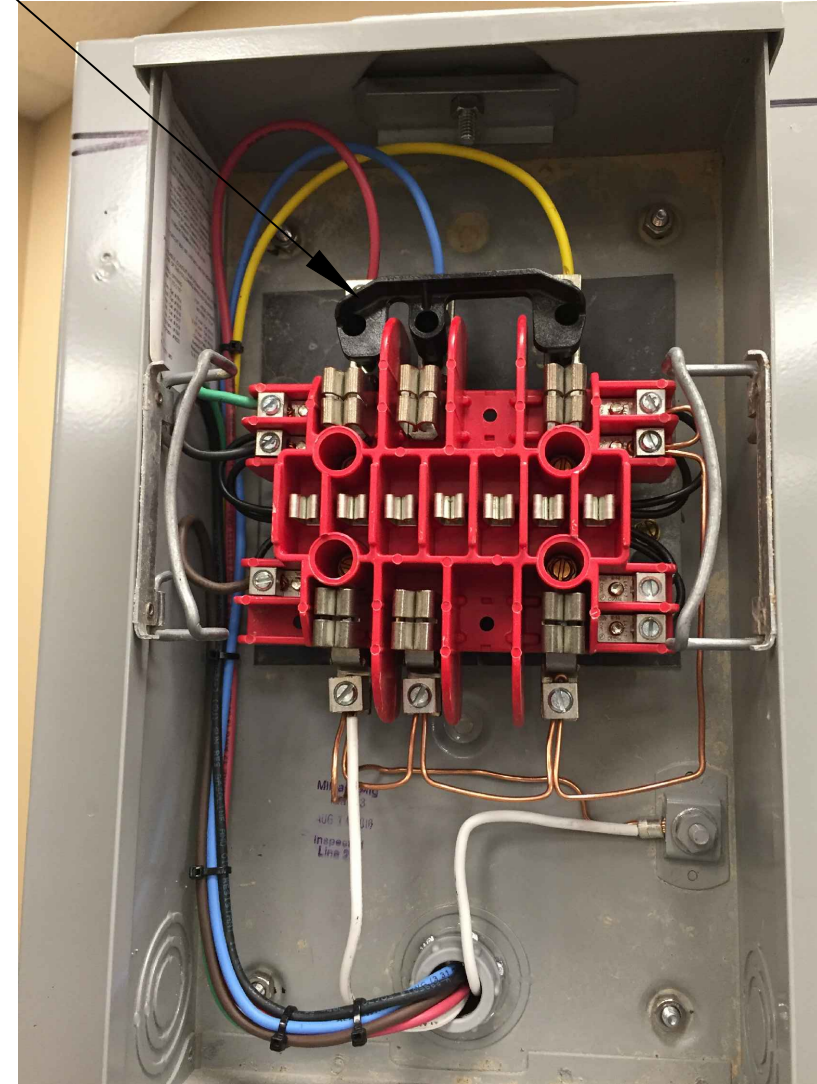
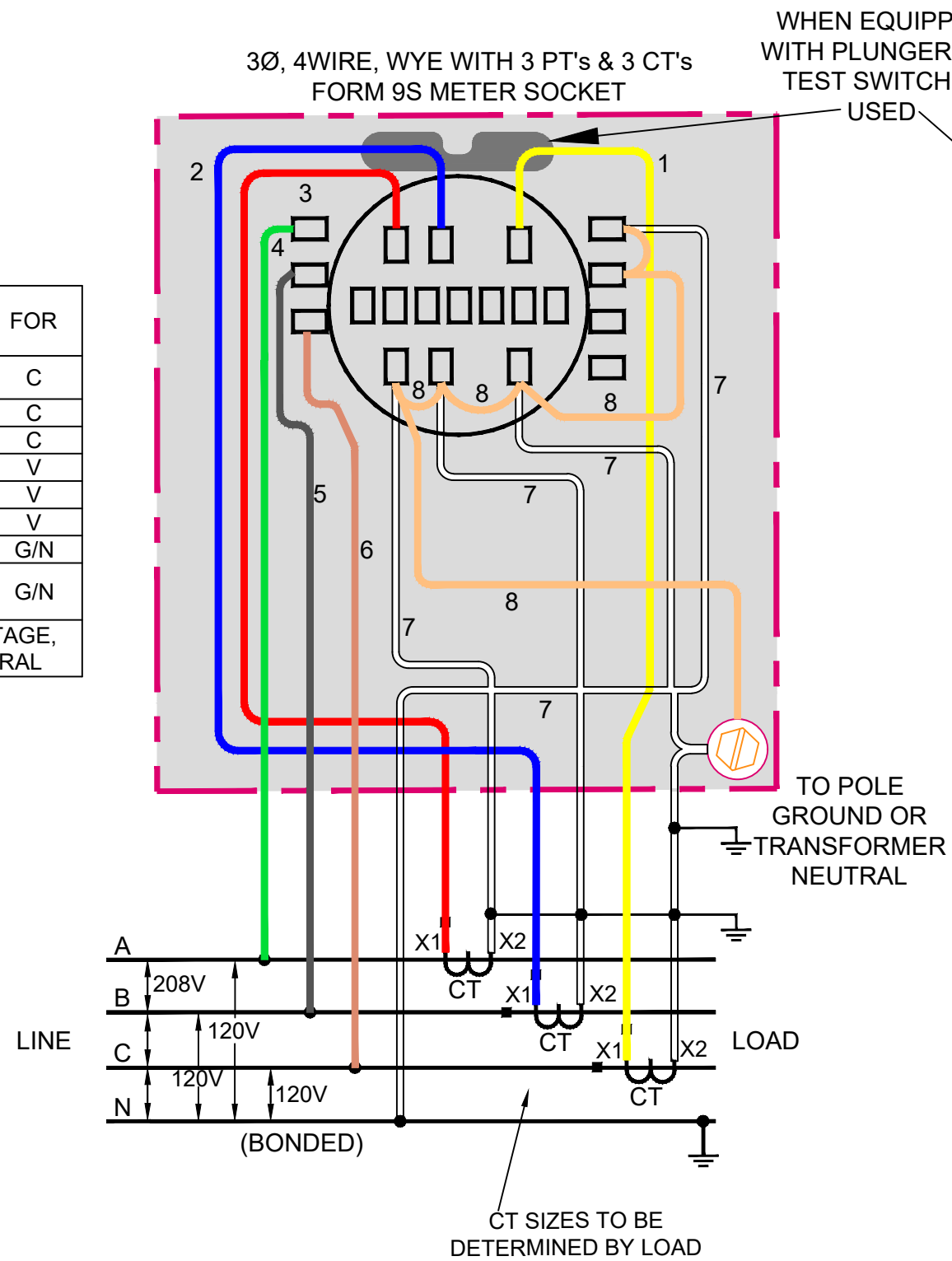
M8-3-CT-5S

SPECIFICATIONS FOR METERS

3Ø, 120/208V, FORM 9S METER

WIRE NO.	WIRE COLOR	FOR
1	YELLOW	C
2	BLUE	C
3	RED	C
4	GREEN	V
5	BLACK	V
6	BROWN	V
7	WHITE	G/N
8	BARE COPPER	G/N

C=CURRENT, V=VOLTAGE, G/N=GROUND/NEUTRAL



METER NOT INSTALLED



METER INSTALLED



PEDERNALES ELECTRIC
COOPERATIVE, INC.

REV	DATE	REVISION	BY	CHK	APR	REV	DATE	REVISION	BY	CHK	APR
						A	04/26/2019	ISSUE FOR CONSTRUCTION	RWC	MMG	MMG

OPERATIONS MANUAL
METER SPECIFICATIONS

drawn:	approved:	date:
RWC	MMG	04/26/2019

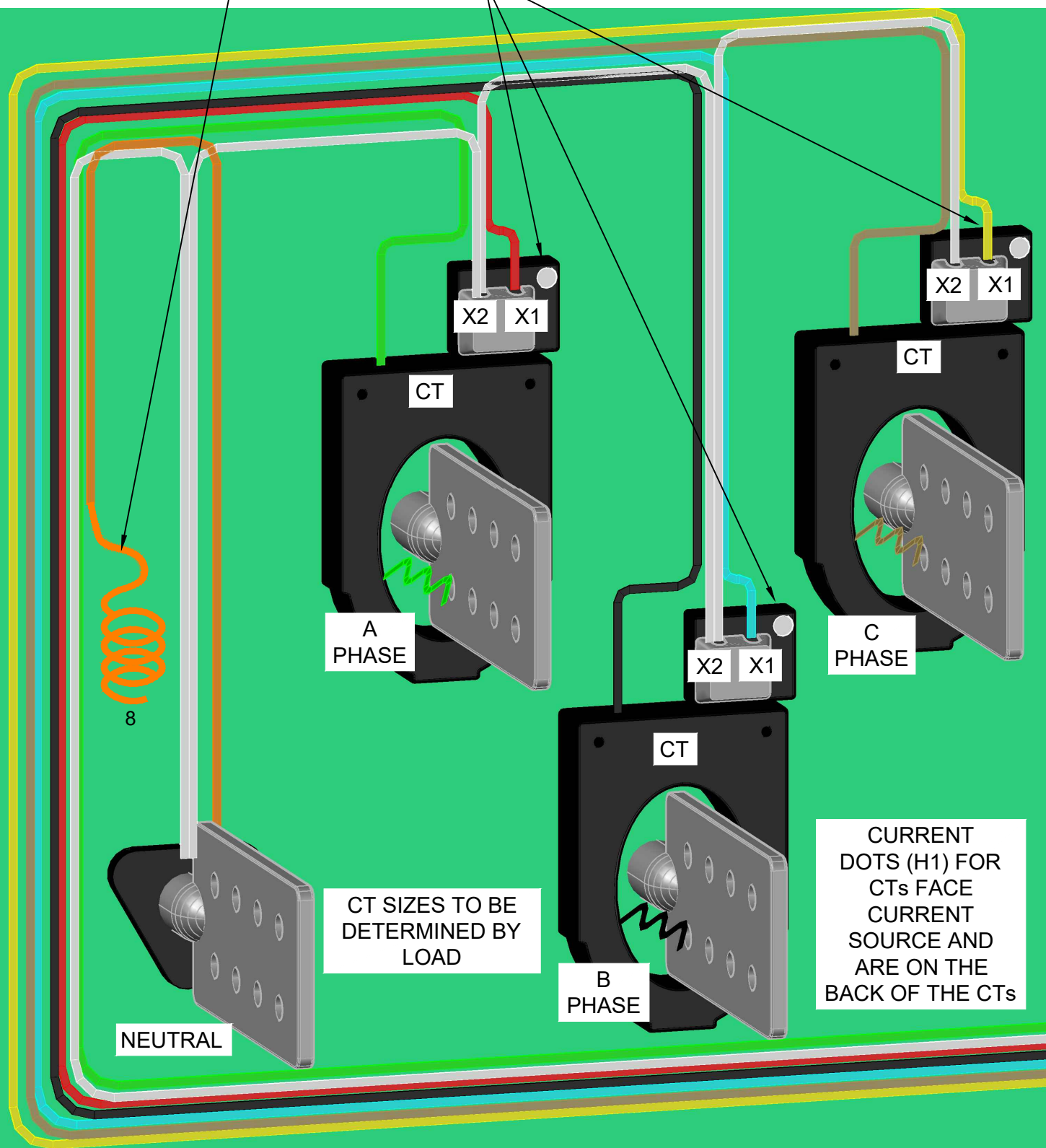
M6-6-CT-9S

SPECIFICATIONS FOR METERS

3Ø, 120/208V FOR PAD MOUNTED XFMR FORM 9S METER

ORANGE WIRE CUT AT CAN IF NOT USED FOR VT PACK ON 277/480V

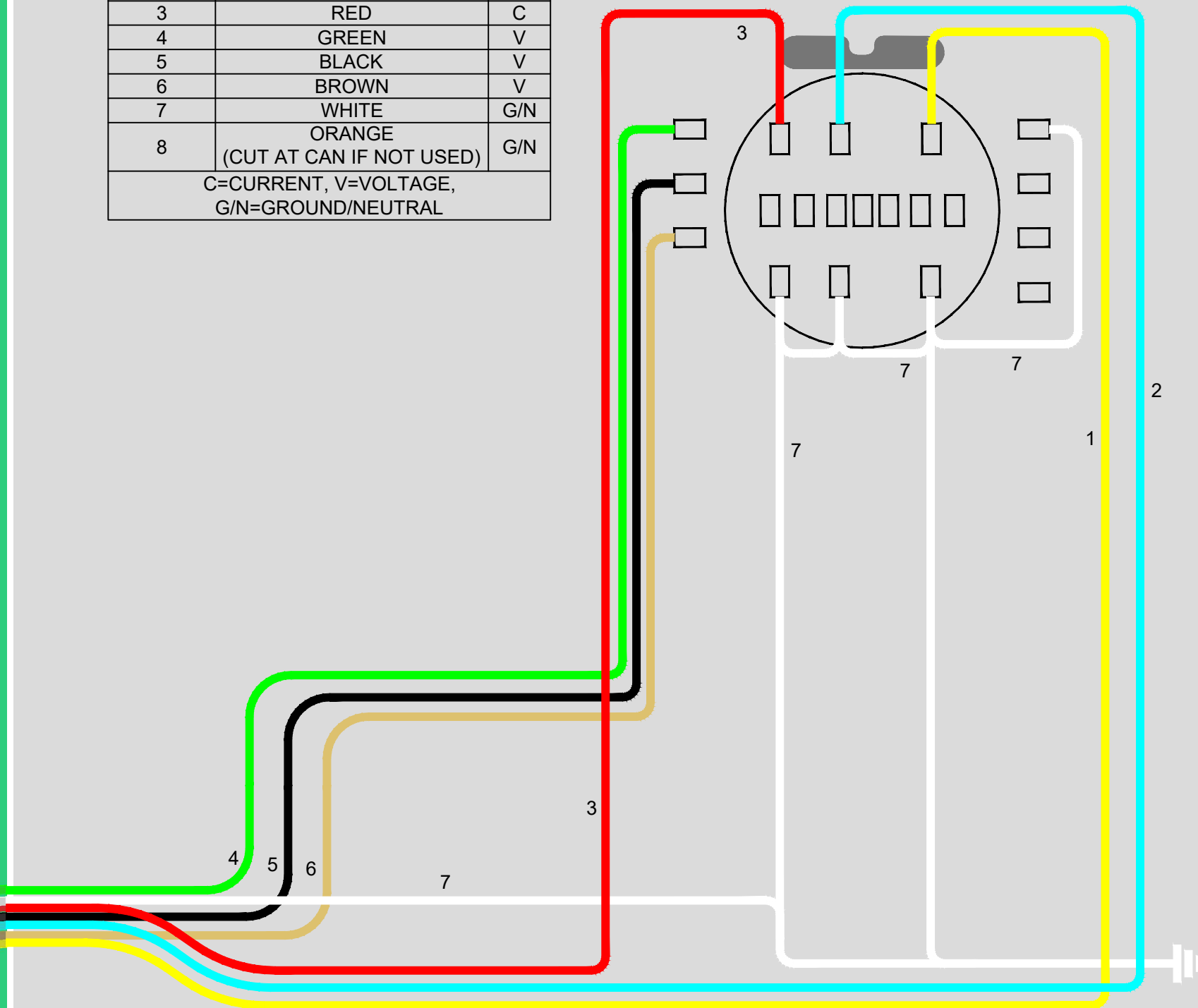
CT SIZES DETERMINED BY LOAD
CURRENT DOTS



WIRE NO.	WIRE COLOR	FOR
1	YELLOW	C
2	BLUE	C
3	RED	C
4	GREEN	V
5	BLACK	V
6	BROWN	V
7	WHITE	G/N
8	ORANGE (CUT AT CAN IF NOT USED)	G/N

C=CURRENT, V=VOLTAGE, G/N=GROUND/NEUTRAL

3Ø, 4WIRE, WYE WITH 3 CT's
FORM 9S METER



PEDERNALES ELECTRIC
COOPERATIVE, INC.

REV	DATE	REVISION	BY	CHK	APR	REV	DATE	REVISION	BY	CHK	APR
						A	04/26/2019	ISSUE FOR CONSTRUCTION	RWC	MMG	MMG

OPERATIONS MANUAL
METER SPECIFICATIONS

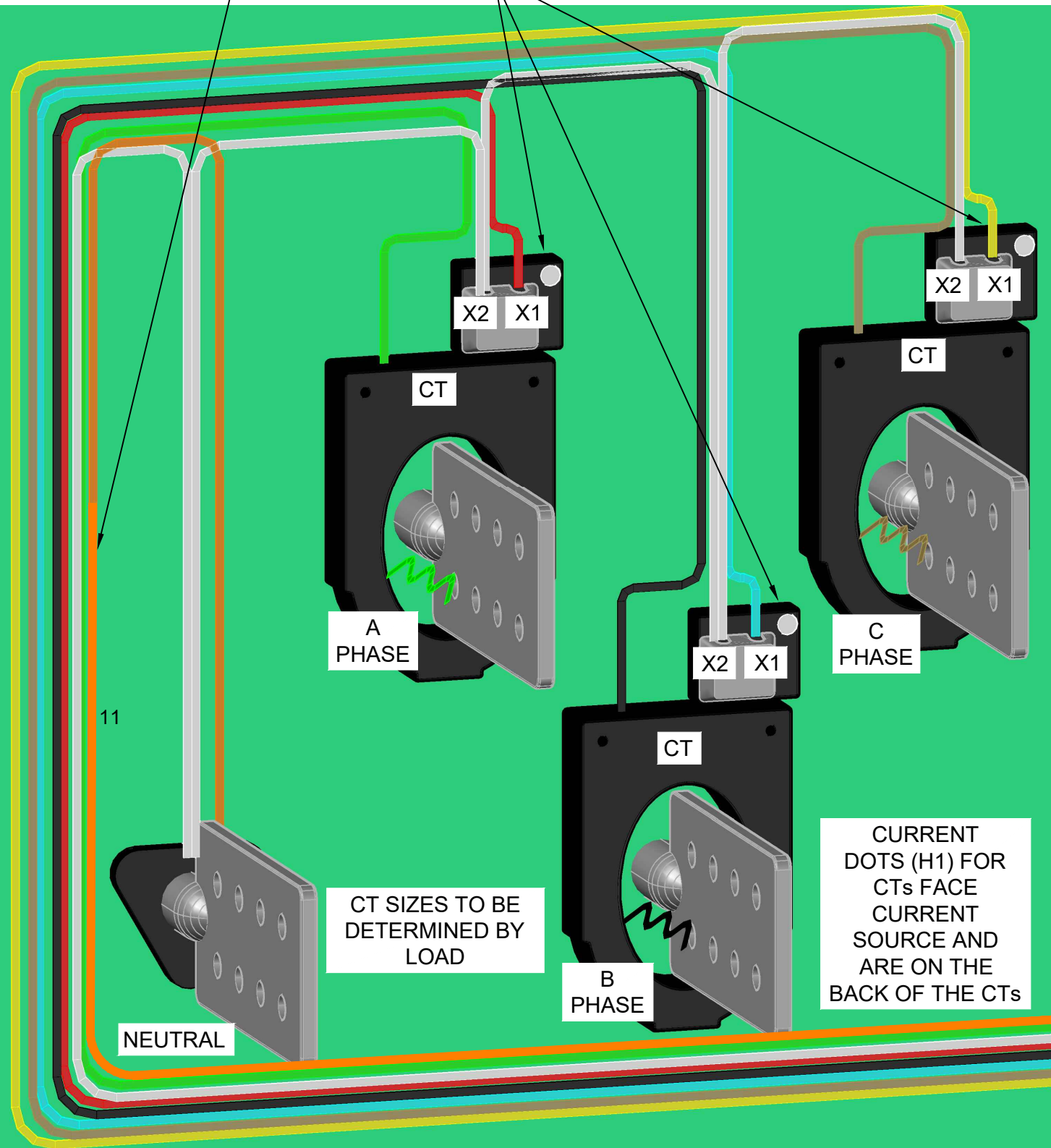
drawn:	approved:	date:	M6-6-CT-9SA
RWC	MMG	04/26/2019	

SPECIFICATIONS FOR METERS

3Ø, 277/480V WITH VT PACK FORM 9S METER

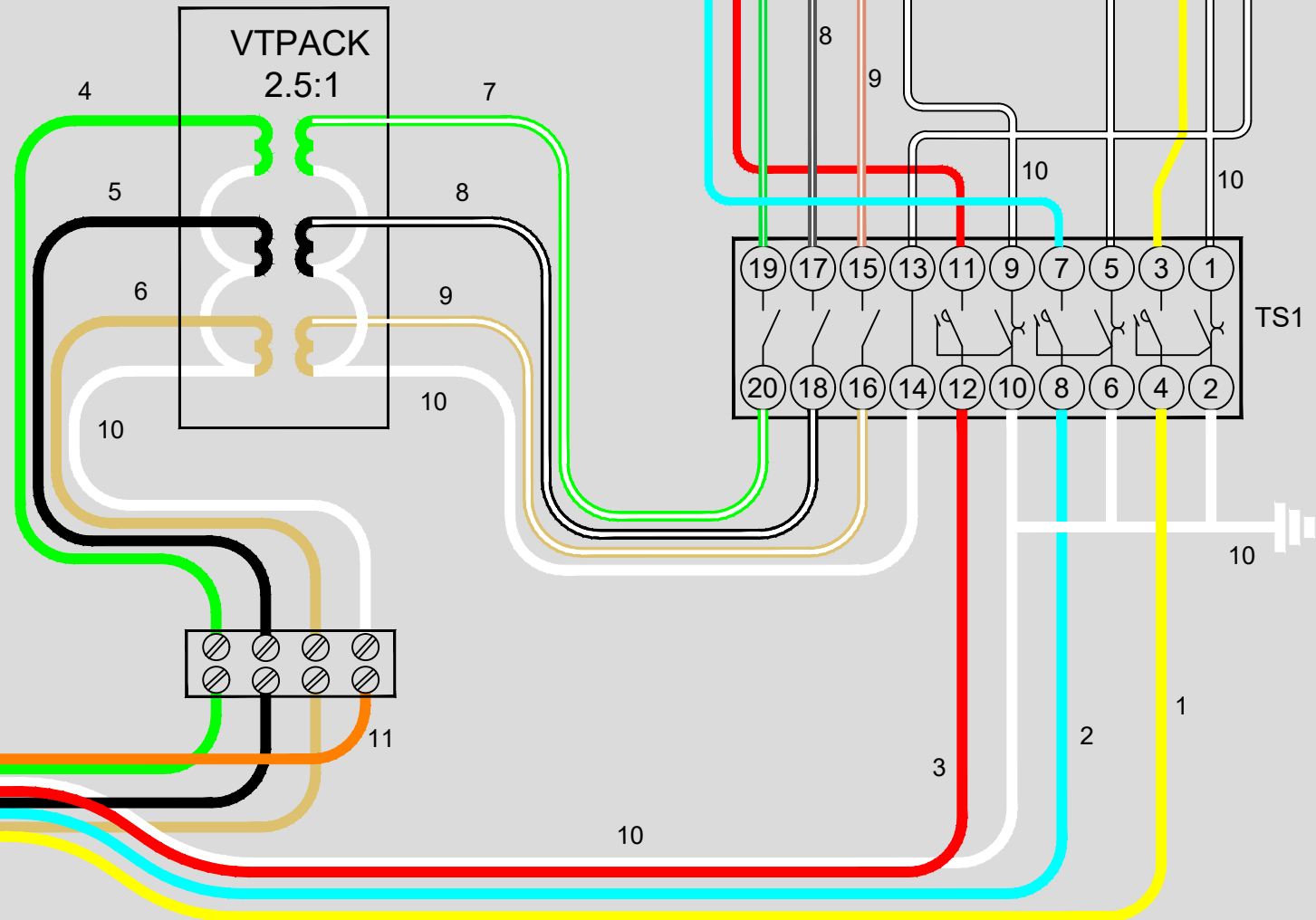
ORANGE WIRE CUT AT CAN IF NOT USED FOR VT PACK ON 277/480V

CT SIZES DETERMINED BY LOAD
CURRENT DOTS



WIRE NO.	WIRE COLOR	FOR
1	YELLOW	C
2	BLUE	C
3	RED	C
4	GREEN	V
5	BLACK	V
6	BROWN	V
7	GREEN/WHITE STRIPE	V
8	BLACK/WHITE STRIPE	V
9	BROWN/WHITE STRIPE	V
10	WHITE	G/N
11	ORANGE (CUT AT CAN IF NOT USED)	G/N

C=CURRENT, V=VOLTAGE, G/N=GROUND/NEUTRAL



PEDERNALES ELECTRIC
COOPERATIVE, INC.

REV	DATE	REVISION	BY	CHK	APR	REV	DATE	REVISION	BY	CHK	APR
						A	04/26/2019	ISSUE FOR CONSTRUCTION	RWC	MMG	MMG

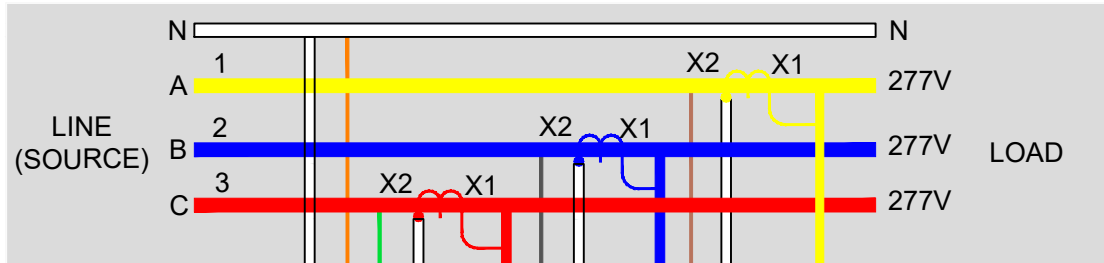
OPERATIONS MANUAL
METER SPECIFICATIONS

drawn: RWC
approved: MMG
date: 04/26/2019

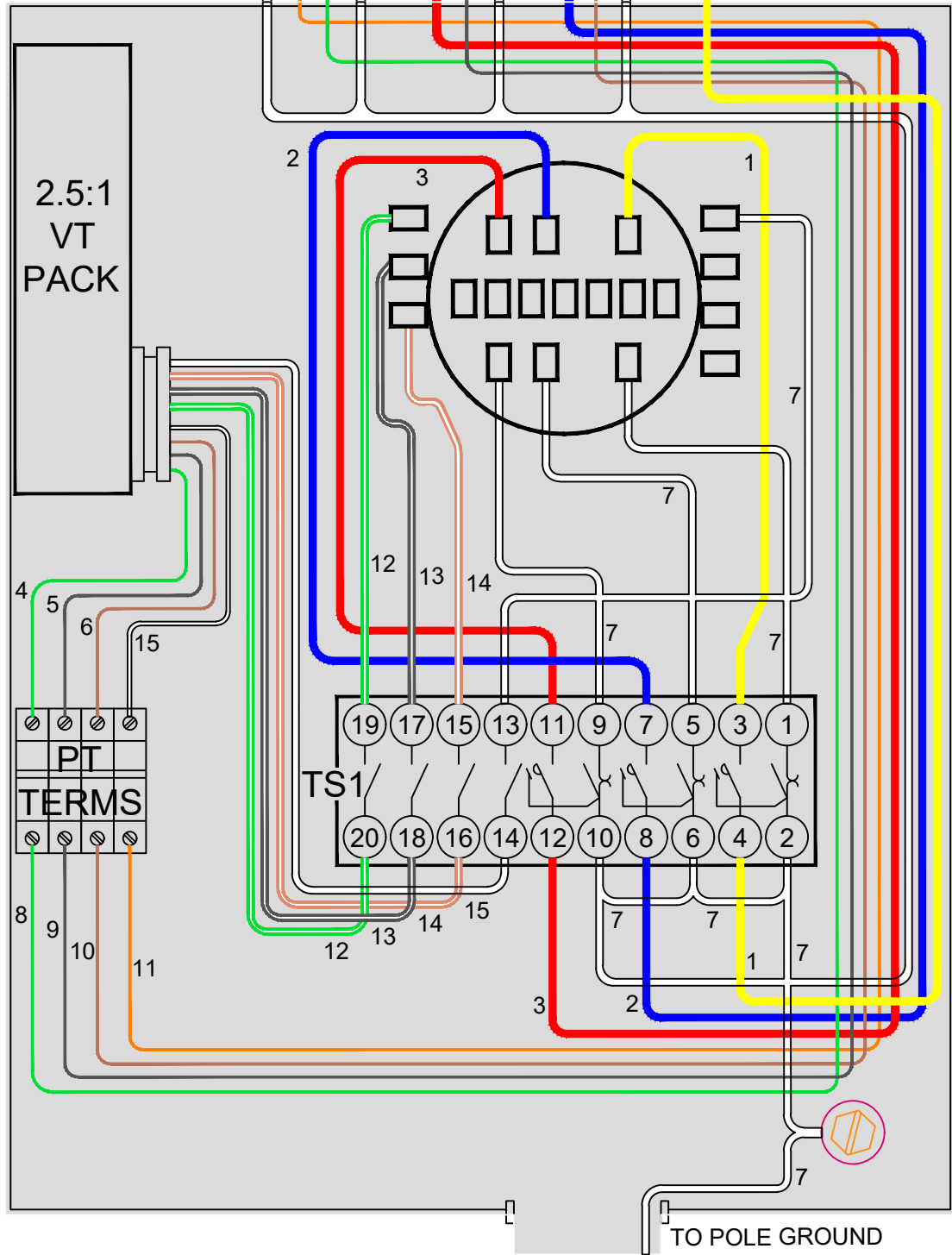
M6-7-CT-9S

SPECIFICATIONS FOR METERS

3Ø, 277/480V WITH CTs & VT PACK FORM 9S METER

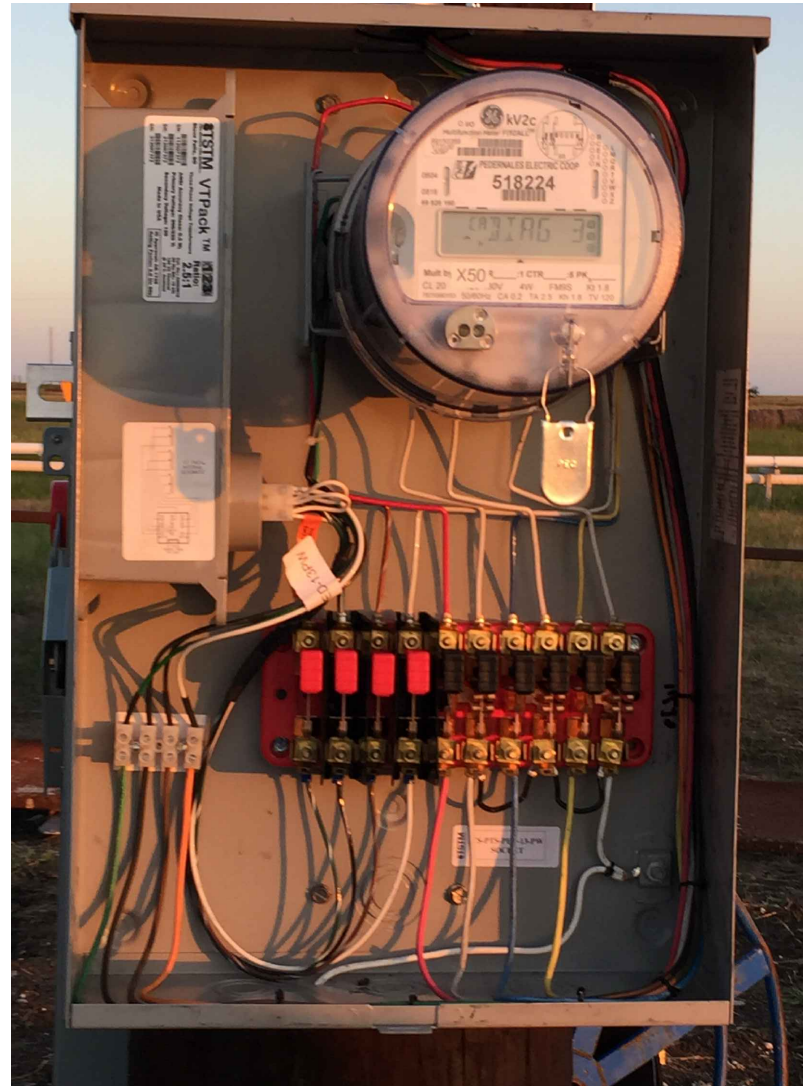


CT SIZES TO BE DETERMINED BY LOAD

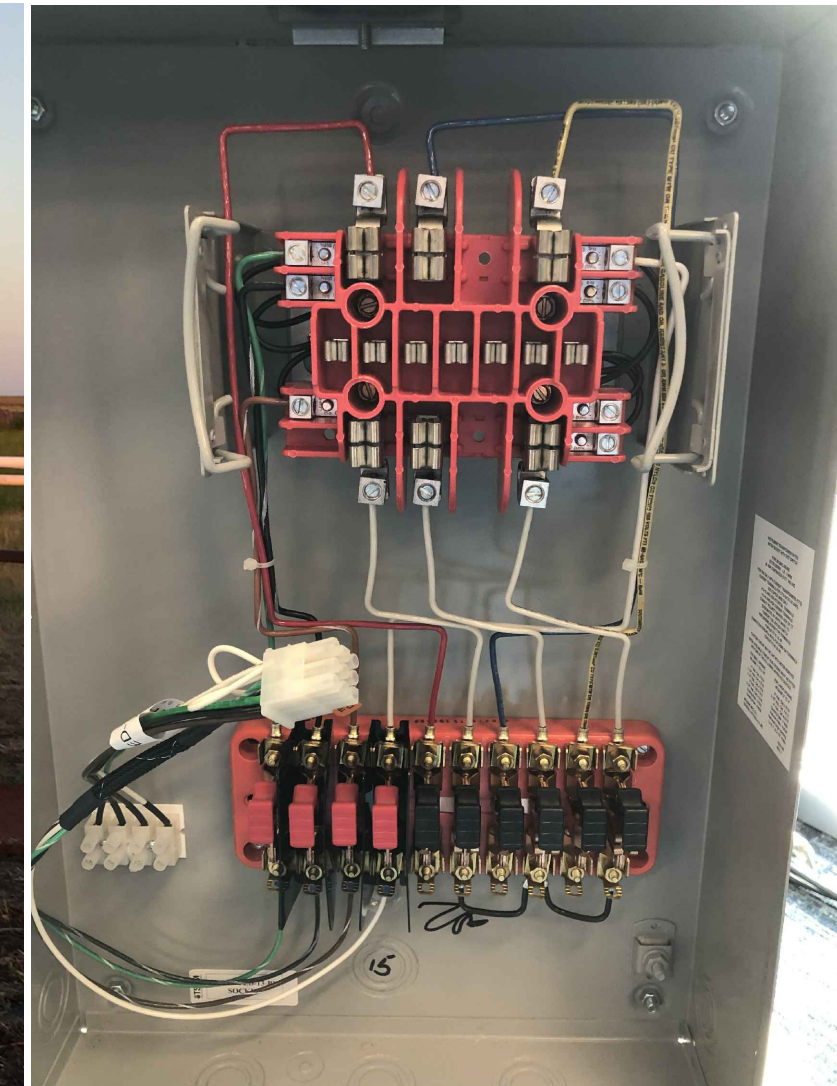


WIRE NO.	WIRE COLOR	FOR
1	YELLOW	C
2	BLUE	C
3	RED	C
4	GREEN	V
5	BLACK	V
6	BROWN	V
7	WHITE	G/N
8	GREEN	CT
9	BLACK	CT
10	BROWN	CT
11	ORANGE	PT/G/N
12	GREEN/WHITE	PT
13	BLACK/WHITE	PT
14	BROWN/WHITE	PT
15	WHITE	PT/G/N

C=CURRENT, V=VOLTAGE, G/N=GROUND/NEUTRAL, CT=CURRENT XFMR, PT=POTENTIAL XFMR



METER INSTALLED



METER NOT INSTALLED



PEDERNALES ELECTRIC COOPERATIVE, INC.

REV	DATE	REVISION	BY	CHK	APR	REV	DATE	REVISION	BY	CHK	APR
						A	04/26/2019	ISSUE FOR CONSTRUCTION	RWC	MMG	MMG

OPERATIONS MANUAL
METER SPECIFICATIONS

drawn: RWC
approved: MMG
date: 04/26/2019

M8-7-CT-9S

SPECIFICATIONS FOR METERS
 3Ø PAD MOUNTED TRANSFORMER PICTURES



PEDERNALES ELECTRIC
 COOPERATIVE, INC.

REV	DATE	REVISION	BY	CHK	APR	REV	DATE	REVISION	BY	CHK	APR
						A	04/26/2019	ISSUE FOR CONSTRUCTION	RWC	MMG	MMG

OPERATIONS MANUAL METER SPECIFICATIONS			
drawn:	approved:	date:	
RWC	MMG	04/26/2019	XFMR-9S