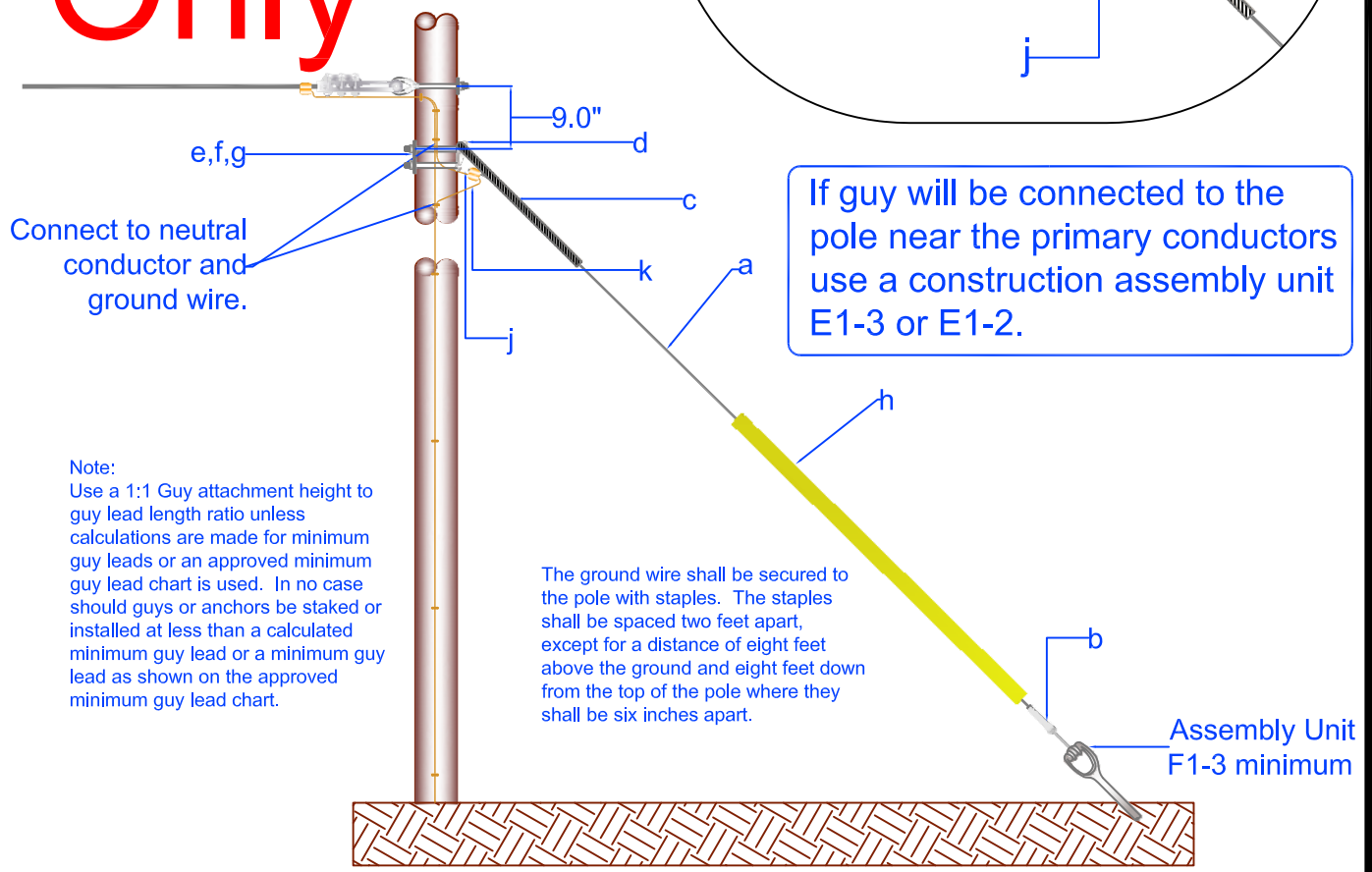
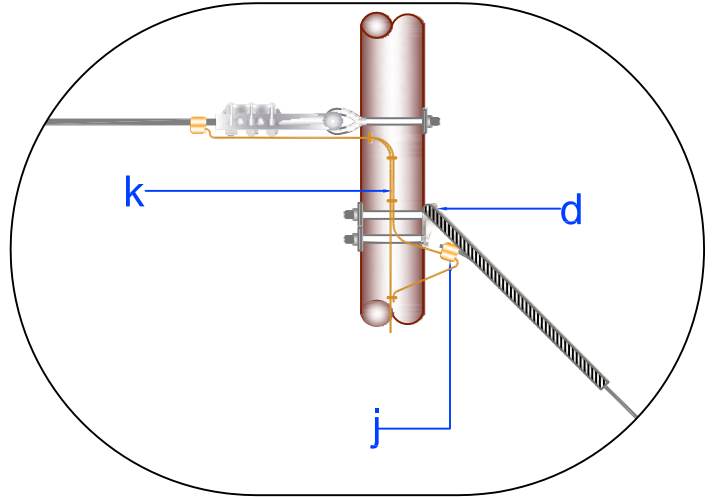


# Removal Only



Item	Material Number	Item Quantity	Item Description	Item	Material Number	Item Quantity	Item Description
a	2000195	12 lbs	Cable Guy 3/8" EHS	f	*3000237	2	Washer Sq Curved 4x4 13/16H
b	*2000429	1	Deadend Auto 3/8" Guy	g	*	2	Bolt Machine 3/4"
c	*2000435	1	Deadend Preformed 3/8" Guy	h	2000578	1	Marker Guy 8'
d	2000504	1	Hook Guy Attachment 795	j	*	As required	Connectors
e	*3000151	2	Locknut 3/4" M F	k	*	As required	Jumpers

Note: SAP issues this amount of guy cable, use more or less as is required.

\*Denotes "Grab Bag" items Bolt lengths are dependent on pole class.

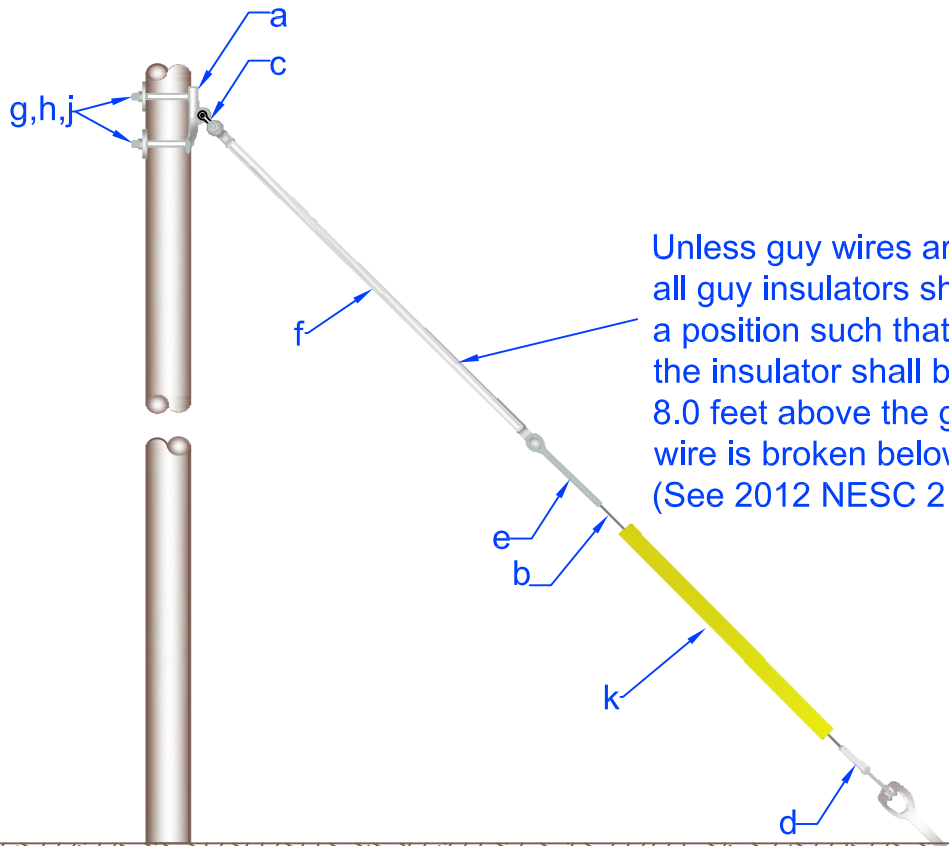


PEDERNALES ELECTRIC  
COOPERATIVE, INC.  
CONSTRUCTION ASSEMBLY UNIT

## Grounded Single Down Guy

drawn:	approved	date:
REB	MJB	October 16, 2013

# E1-1



Unless guy wires are grounded all guy insulators shall be located at a position such that the bottom of the insulator shall be not less than 8.0 feet above the ground if the guy wire is broken below the insulator. (See 2012 NESC 215C5a Page 76)

**Note:**

Use a 1:1 Guy attachment height to guy lead length ratio unless calculations are made for minimum guy leads or an approved minimum guy lead chart is used (See Section 6 of the on line Spec-book). In no case should guys or anchors be staked or installed at less than a calculated minimum guy lead or a minimum guy lead as shown on the approved minimum guy lead chart.

Item	Material Number	Item Quantity	Item Description	Item	Material Number	Item Quantity	Item Description
a	2000032	1	Attachment Guy Strain Ins	f	2001860	1	Insulator Guy Strain 144" CR-CR
b	2000195	12 lbs	Cable Guy 3/8" EHS	g	*3000151	2	Locknut 3/4" M F
c	2000262	1	Clevis Anchor Shackle Sml	h	*3000237	2	Washer Sq Curved 4x4 13/16H
d	*2000429	1	Deadend Auto 3/8" Guy	j	*	2	Bolt Machine 3/4"
e	*2000435	1	Deadend Preformed 3/8" Guy	k	2000578	1	Marker Guy 8'

Note: SAP issues this amount of guy cable, use more or less as is required. Bolt lengths are dependent on pole class.

\*Denotes "Grab Bag" Items.

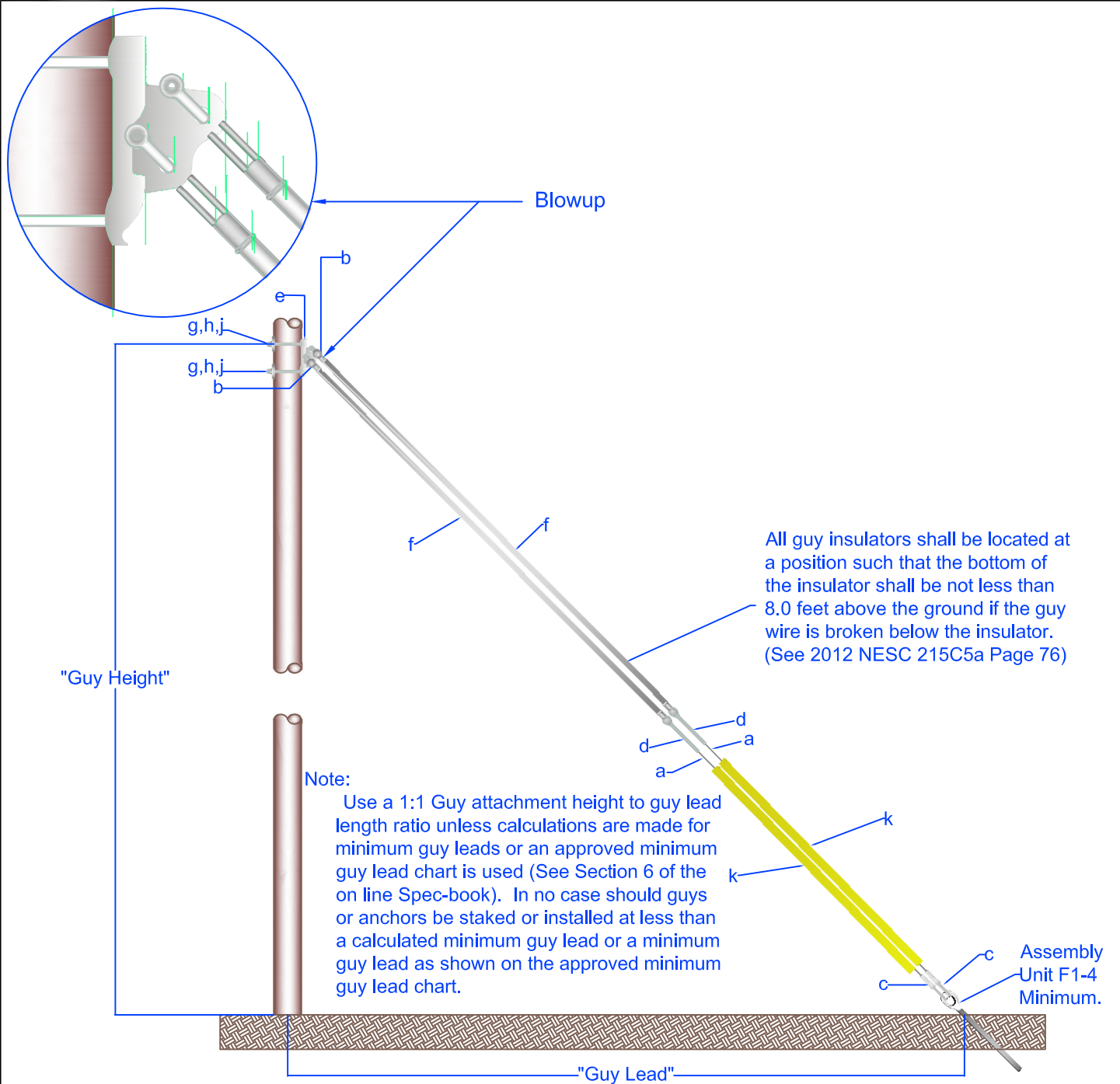


PEDERNALES ELECTRIC  
COOPERATIVE, INC.  
CONSTRUCTION ASSEMBLY UNIT

## Ungrounded Single Down Guy

drawn:	approved	date:
REB	MJB	October 16, 2013

**E1-2**



Item	Material Number	Item Quantity	Item Description	Item	Material Number	Item Quantity	Item Description
a	2000195	24 lbs	Cable Guy 3/8" EHS	f	2001860	2	Insulator Guy Strain 144" CR-CR
b	2000262	2	Clevis Anchor Shackle Sml	g	*3000154	2	Locknut 3/8" M F
c	*2000429	2	Deadend Auto 3/8" Guy	h	*3000237	2	Washer Curved Sq 4x4 15/16H
d	*2000435	2	Deadend Preformed 3'8" Guy	j	*	2	Bolt Machine 7/8"
e	2000506	1	Hook Guy Attachment Dbl 795	k	2000578	2	Marker Guy 8'

SAP issues this amount of guy cable, use more or less as required. Bolt lengths are dependent on pole class.

\*Denotes "Grab Bag" item.



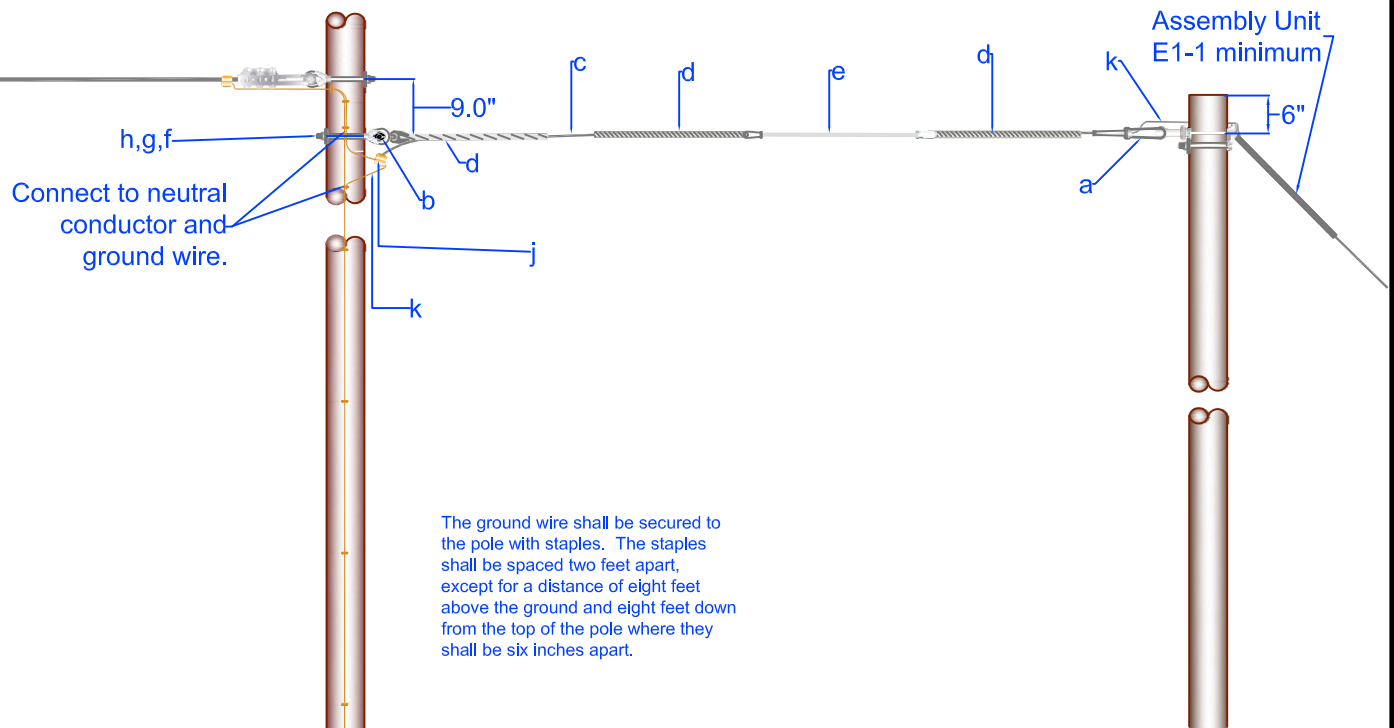
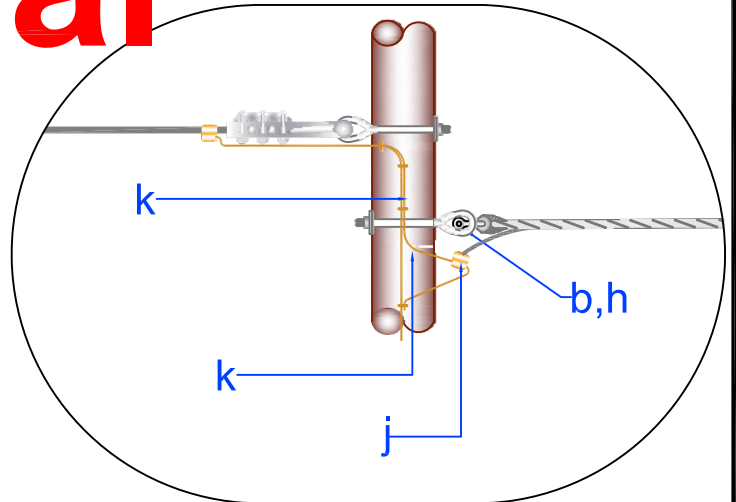
PEDERNALES ELECTRIC  
COOPERATIVE, INC.  
CONSTRUCTION ASSEMBLY UNIT

## Ungrounded Double Down Guy

drawn:	approved	date:
REB	MJB	October 16, 2013

# E1-3

# Removal Only



Item	Material Number	Item Quantity	Item Description	Item	Material Number	Item Quantity	Item Description
a	2000613	1	Nut Thimble Eye 3/4" Sgl	f	*3000151	1	Locknut 3/4" M F
b	2001004	1	Thimble Clevis DE 20,000 LB	g	*3000237	1	Washer Sq Curved 4x4 13/16H
c	2000195	19 lbs	Cable Guy 3/8" EHS	h	*	1	Bolt Eye 3/4"
d	*2000435	3	Deadend Preformed 3/8" Guy	j	*	As Required	Connectors
e	2000532	1	Insulator Guy Strain 42" TE-TE	k	*	As Required	Jumpers

Note: SAP issues this amount of guy cable, use more or less as required. Bolt length is dependent on pole class.

\*Denotes "Grab Bag" item.

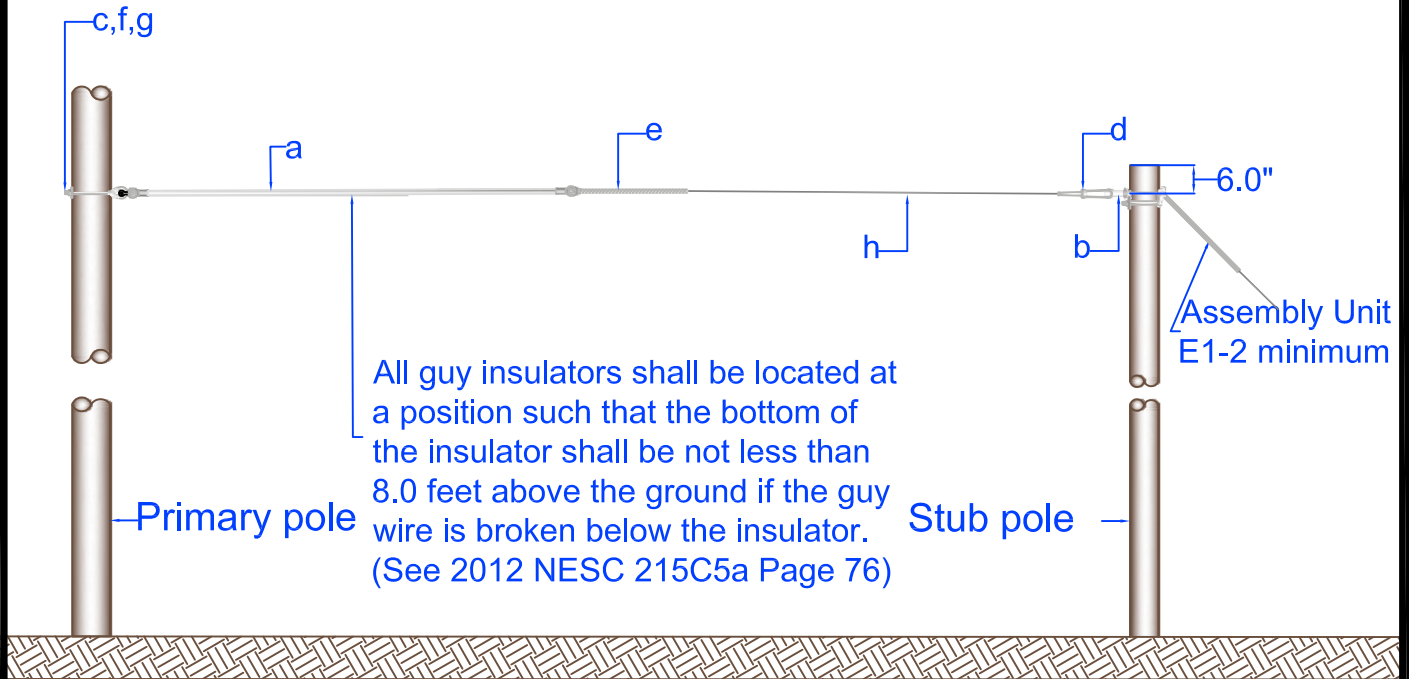


PEDERNALES ELECTRIC  
COOPERATIVE, INC.  
CONSTRUCTION ASSEMBLY UNIT

## Grounded Single Overhead Guy

drawn: <b>REB</b>	approved <b>MJB</b>	date: February 14, 2012
----------------------	------------------------	----------------------------

**E2-1**



Item	Material Number	Item Quantity	Item Description	Item	Material Number	Item Quantity	Item Description
a	2001860	1	Insulator Guy Strain 144" CR-CR	e	*2000435	1	Deadend Preformed 3/8" Guy
b	2000613	1	Nut Thimble Eye 3/4" Sgl	f	*3000151	1	Locknut 3/4" MF
c	*	1	Bolt Eye 3/4"	g	*3000237	1	Washer Sq Curved 4x4 13/16H
d	*2000429	1	Deadend Auto 3/8" Guy	h	200195	21 lbs	Cable Guy 3/8" EHS

SAP issues this amount of guy cable, use more or less as required. Bolt length is dependent on pole class.

\*Denotes "Grab Bag" item.

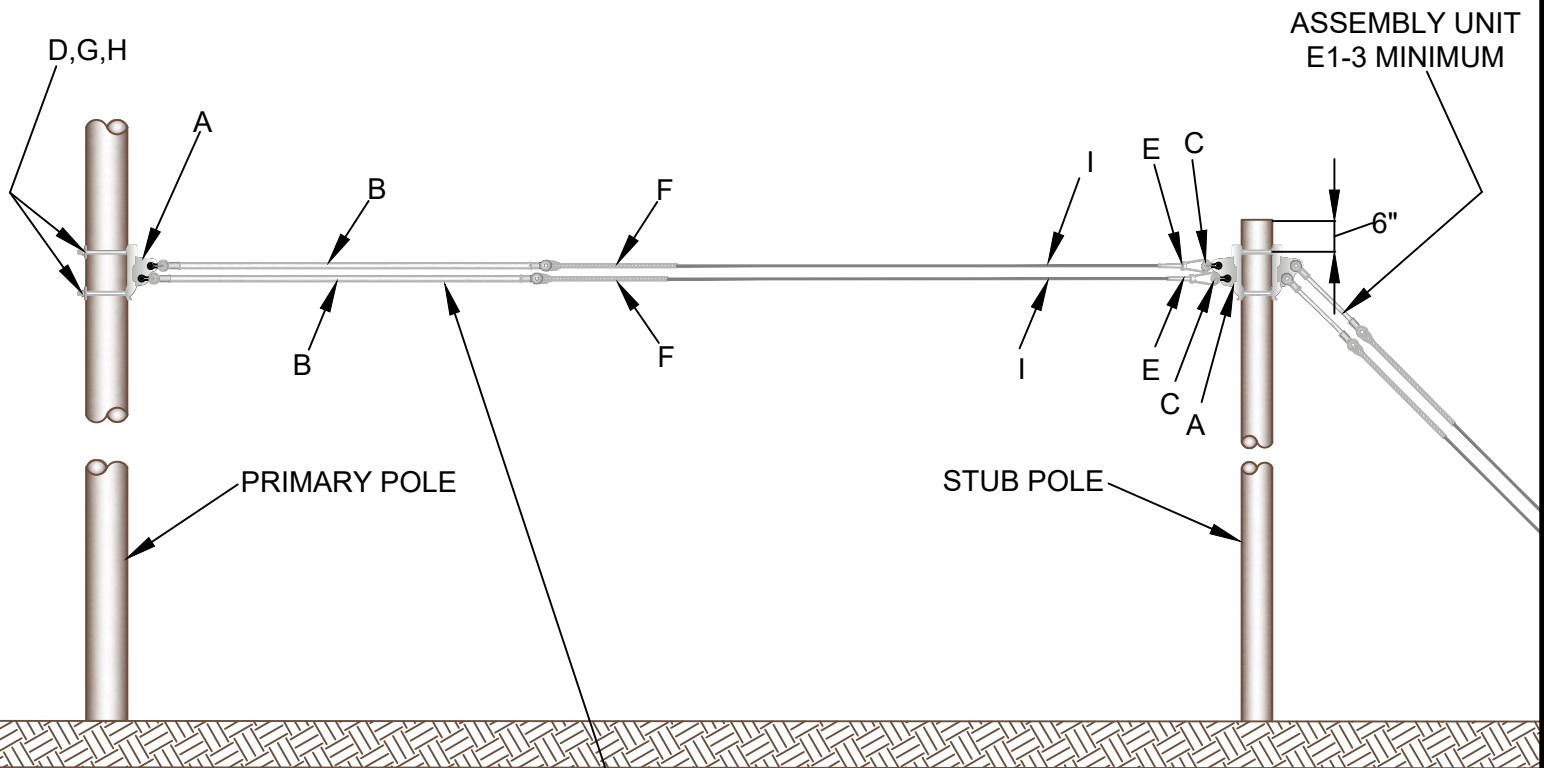


PEDERNALES ELECTRIC  
COOPERATIVE, INC.  
CONSTRUCTION ASSEMBLY UNIT

### Ungrounded Single Overhead Guy

drawn:	approved	date:
REB	MJB	December 18, 2015

**E2-2**



GUY INSULATORS SHALL BE POSITIONED TO LIMIT THE LIKELIHOOD OF ANY PORTION OF A SPAN GUY BECOMING ENERGIZED WITHIN 8 FEET OF THE GROUND LEVEL, IN THE EVENT THE SPAN GUY BECOMES SLACK. (SEE 2017 NESC 215C2B)

ITEM	MATERIAL NUMBER	DESCRIPTION	QUANTITY
A	2000506	HOOK GUY ATTACHMENT DBL 795	2
B	2001860	INSULATOR GUY STRAIN 144" CR-CR	2
C	2001005	CLEVIS THIMBLE DE 40,000 LB	2
D	*	BOLT MACHINE 7/8"	AS REQ'D
E	*2000429	DEAD END AUTO 3/8" GUY	AS REQ'D
F	*2000435	DEAD END PREFORMED 3/8" GUY	AS REQ'D
G	*3000154	LOCKNUT 7/8" MF	AS REQ'D
H	*3000237	WASHER SQUARE CURVED 4"x4" 15/16"H	AS REQ'D
I	2000195	CABLE GUY 3/8" EHS	AS REQ'D

\*DENOTES "GRAB BAG" ITEM - ALL BOLT LENGTHS DEPEND ON POLE CLASS.

REV A DATE 02/19/2019 REVISION ISSUE FOR CONSTRUCTION BY RWC CHK EJD APR MMG

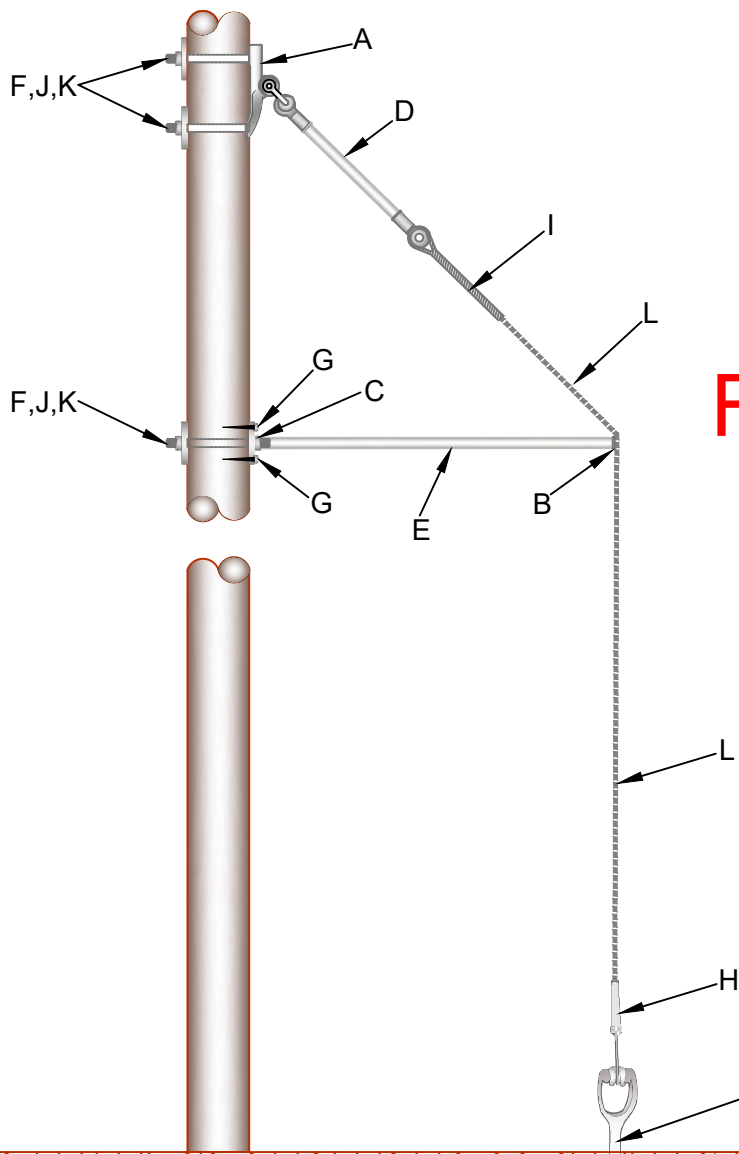


CONSTRUCTION  
ASSEMBLY UNIT

UNGROUNDING DOUBLE OVERHEAD GUY

drawn:	approved:	date:
RWC	MMG	02/19/2019

E2-3



NOTE: DO NOT CONNECT GUYS WITH INSULATED LINKS TO POLE GROUND.

**FOR REMOVAL ONLY**

ASSEMBLY  
UNIT F1-3  
MINIMUM

ITEM	MATERIAL NUMBER	DESCRIPTION	QUANTITY
A	2000032	ATTACHMENT GUY STRAIN INS.	1
B	2000252	CLAMP GUY END 2" PIPE SINGLE	1
C	2000253	CLAMP GUY FLANGE 2" PIPE	1
D	2000532	INSULATOR GUY STRAIN 42" TE - TE	1
E	*	PIPE 2" GALVANIZED	AS REQ'D
F	*	BOLT MACHINE 5/8"	3
G	*3000188	SCREW LAG 1/2" X 4"	3
H	2000429	DEAD END AUTO 3/8" GUY	1
I	2000435	DEAD END PREFORMED 3/8" GUY	1
J	3000151	LOCKNUT 3/4" MF	AS REQ'D
K	3000235	WASHER SQUARE CURVED 3" 13/16"H	2
L	2000195	CABLE GUY 3/8" EHS	AS REQ'D

\*DENOTES "GRAB BAG" ITEM - ALL BOLT LENGTHS DEPEND ON POLE CLASS.

REV B DATE 11/26/2019 REVISION FOR REMOVAL ONLY BY RWC CHK MMG APR MMG

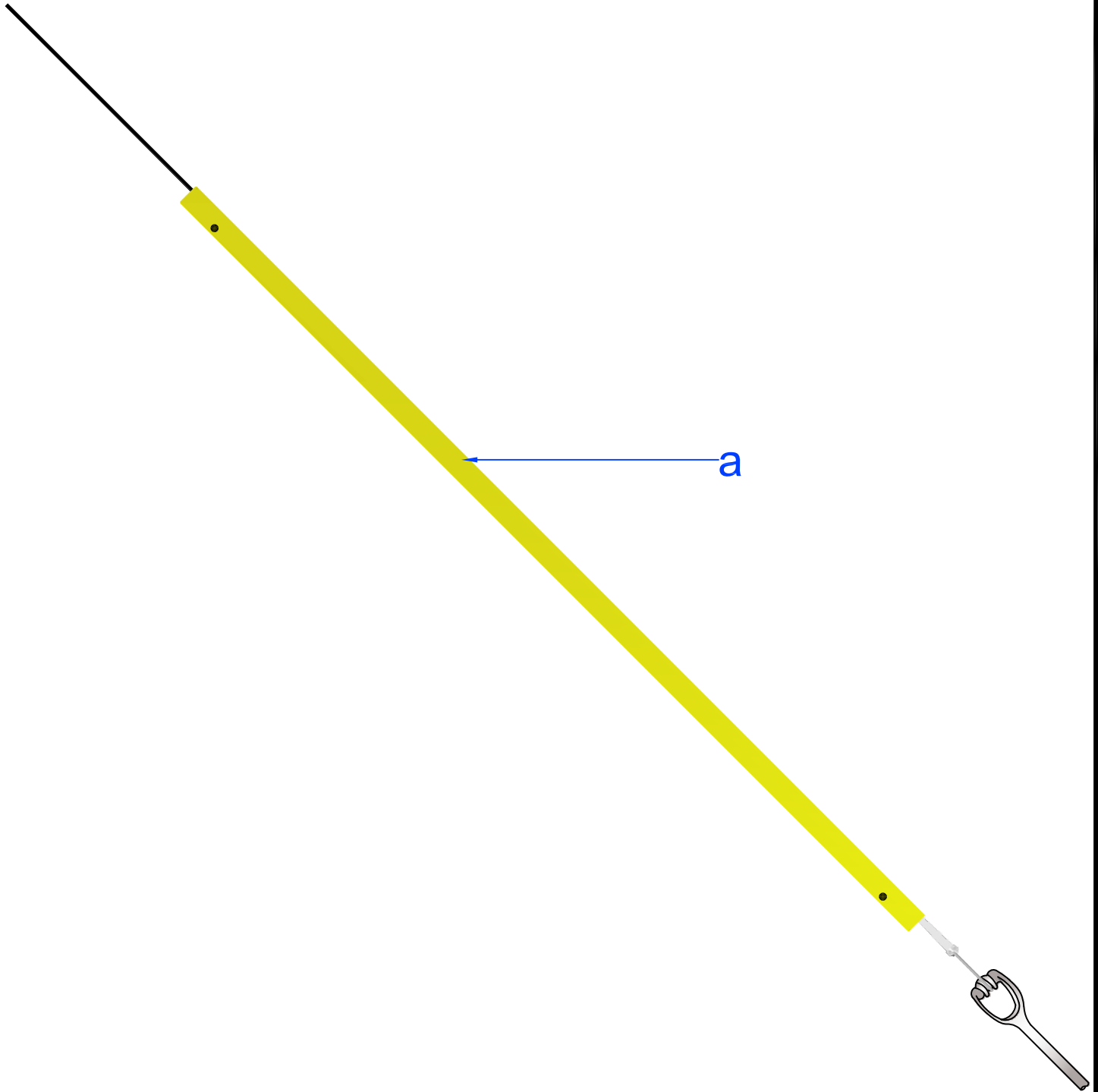


CONSTRUCTION  
ASSEMBLY UNIT

SINGLE SIDEWALK GUY  
WITH GUY STRAIN INSULATOR  
3Ø INSTALLATION

drawn:	approved:	date:
RWC	MMG	11/26/2019

E3-4E



Item	Material Number	Item Quantity	Item Description
a	2000578	1	Marker Guy 8'

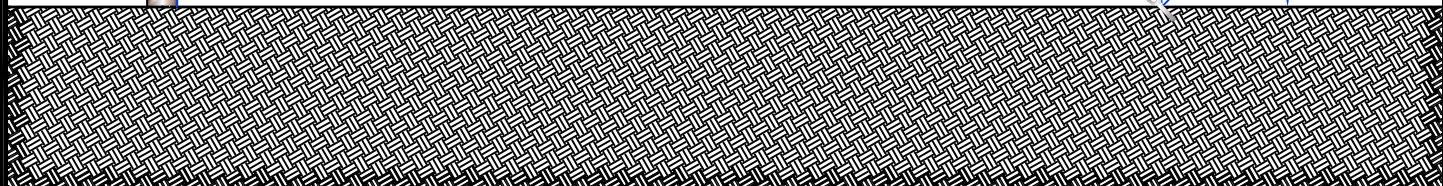
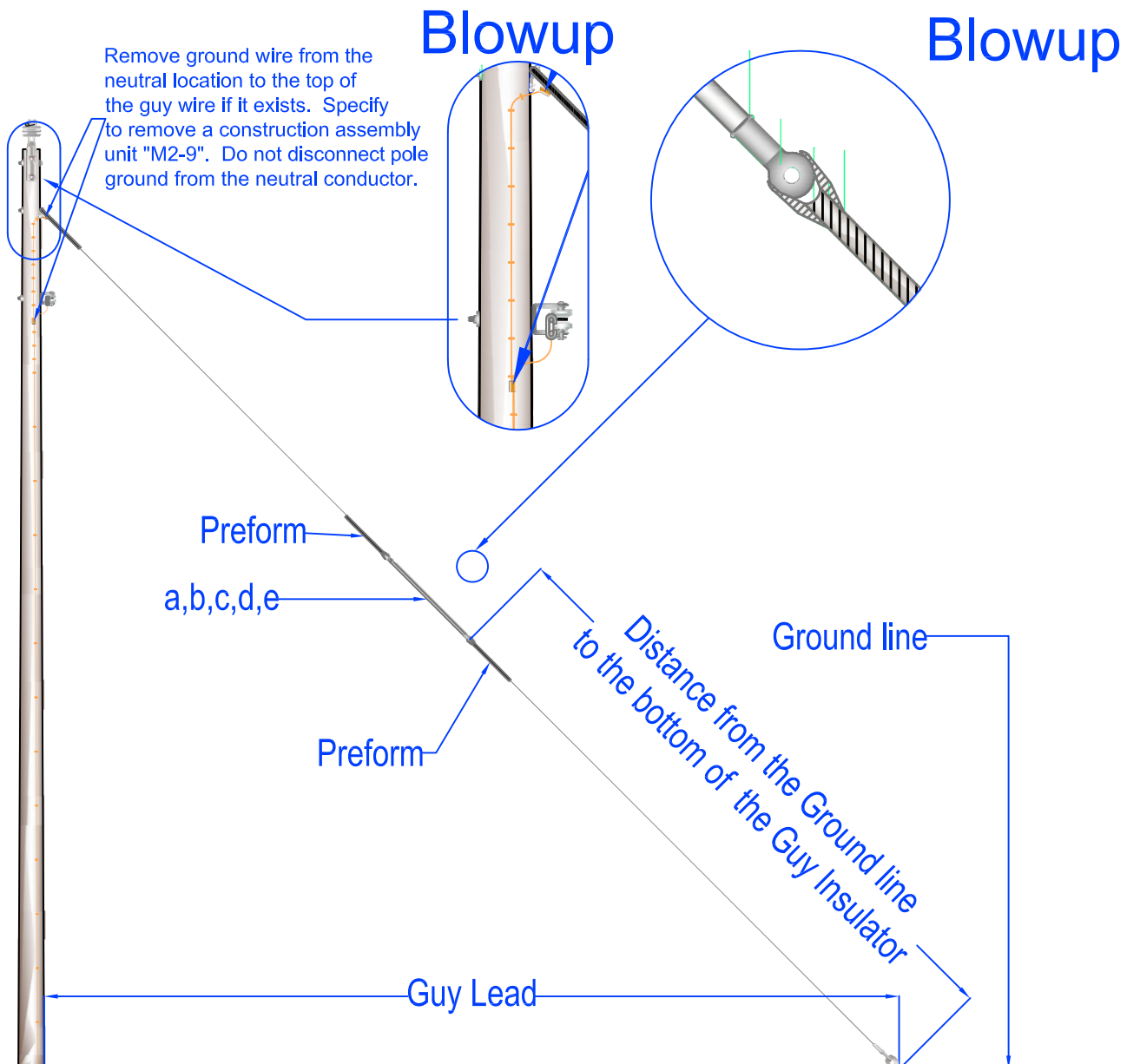


PEDERNALES ELECTRIC  
COOPERATIVE, INC.  
CONSTRUCTION ASSEMBLY UNIT

# Guy Marker

drawn:	approved	date:	<b>E3-10</b>
REB	MJB	February 14, 2012	





Item	Material Number	Item Quantity	Item Description	E3-12	E3-42	E3-78	E3-96	E3-144
a	2000531	1	Insulator Guy Strain 12" CR-CR	1				
b	2000532	1	Insulator Guy Strain 42" TE-TE		1			
c	2000533	1	Insulator Guy Strain 78" C-CR			1		
d	2000534	1	Insulator Guy Strain 96" CR-TE				1	
e	2001860	1	Insulator Guy Strain 144" CR-CR					1



PEDERNALES ELECTRIC  
COOPERATIVE, INC.  
CONSTRUCTION ASSEMBLY UNIT

# Insulator Guy Strain

drawn:	approved	date:	E3-12, E3-42,
REB	MJB	March 21, 2013	E3-78, E3-96, E3-144

Pole Height	5' Guy Lead	10' Guy Lead	15' Guy Lead	20' Guy Lead	25' Guy Lead	30' Guy Lead	35' Guy Lead	40' Guy Lead	45' Guy Lead	50' Guy Lead	Approximate Guy Attachment Above Ground
	Distance from the Goundline to the bottom of the Guy Insulator										
35	9'	10'	12'	15'	18'	22'	26'	30'	34'	38'	26'-9"
40	9'	10'	12'	14'	17'	20'	24'	28'	32'	36'	31'-9"
45	9'	10'	11'	14'	16'	19'	23'	26'	30'	34'	36'-3"
50	9'	10'	11'	13'	16'	18'	21'	25'	28'	32'	40'-9"
55	9'	10'	11'	13'	15'	18'	20'	24'	27'	31'	45'-3"

Measure from edge of pole to the anchor rod at ground line for the guy lead. Roundup to the next longest guy lead on the chart if necessary. If the distance from the pole top is not known and the guy height above the ground can be safely measured use the column at the right.

Note: If the guy insulator is installed too high up an energized phase wire can possibly come in contact with the guy wire below the guy insulator and endangering the public.

**NESC Rule 215C5a "All guy insulators or span-wire insulators shall be located at a position such that the bottom of the insulator shall be not less than 2.45 m (8 ft) above the ground if the guy or span wire is broken below the insulator."**



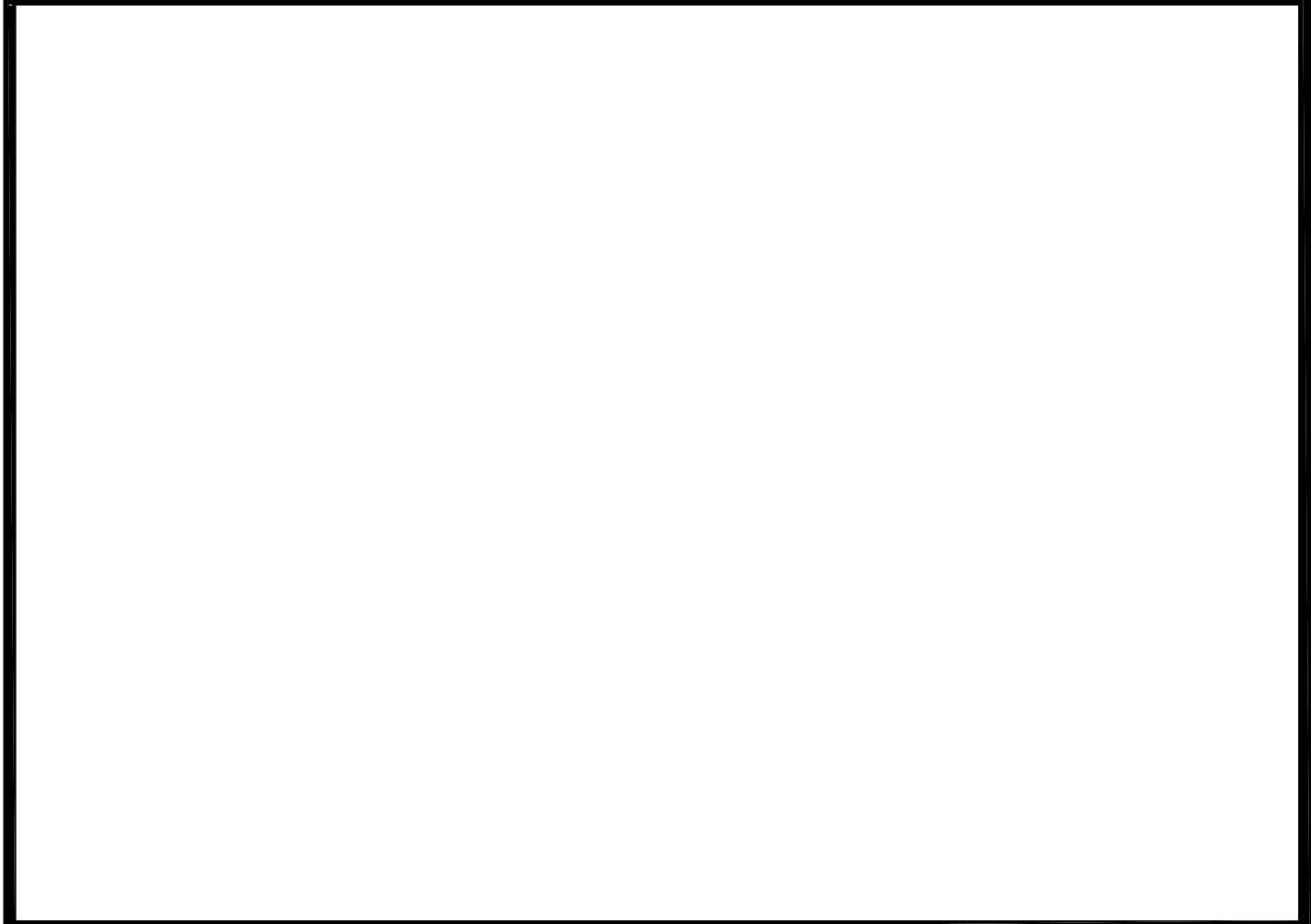
PEDERNALES ELECTRIC  
COOPERATIVE, INC.  
CONSTRUCTION ASSEMBLY UNIT

## Insulator Guy Strain

drawn:	approved	date:
REB	MJB	February 14, 2012

E3-12, E3-42,  
E3-78, E3-96

	POLE HEIGHT	Distance from pole top to top bolt of guy attachment		
		0.5' to 3' (6" to 36")	3' to 6' (36" to 72")	6' to 12' (72" to 144")
		Distance from pole to top of guy insulator		
Distance From Guy Attachment to Top of Guy Insulator	35' POLE	14' OR 168"	11' OR 132"	5' OR 60"
	40' POLE	19' OR 228"	16' OR 192"	10' OR 120"
	45' POLE	24' OR 288"	21' OR 252"	15' OR 180"
	50' POLE	28' OR 336"	25' OR 300"	19' OR 228"
	55' POLE	33' OR 396"	30' OR 360"	24' OR 288"
	60' POLE	37' OR 444"	34' OR 408"	28' OR 336"
	65' POLE	42' OR 504"	39' OR 468"	33' OR 396"
	70' POLE	46' OR 552"	43' OR 516"	37' OR 444"



PEDERNALES ELECTRIC  
COOPERATIVE, INC.  
CONSTRUCTION ASSEMBLY UNIT

## Guying Chart

drawn:	approved	date:
REB	MJB	April 27, 2012



## PEC Minimum Guy Lead 1-Phase #336 AAC

Assume only PEC conductors on pole. No communication cables.

Soil Class 2 should be used in areas of solid rock.

Soil Class 3 is shale and broken bed rock. It should be used in most other areas.

Soil Class 7 is fill, silt, fine loose sands. It should be used in areas south of Austin and east of IH-35.

Total Line Angle	Anchor Type	Guy Type	35' CL5	40' CL5	45' CL3	50' CL3	55' CL3	60' CL2	65' CL1
35	F1-3	E1-2	20.3	23.6	26.9	30.2	33.4	36.7	40.0
35	F1-4	E1-2	20.3	23.6	26.9	30.2	33.4	36.7	40.0
35	F1-4	E1-3	9.0	9.0	9.0	9.0	9.0	9.0	9.0
35	2-F1-3	2-E1-2	9.0	9.0	9.0	9.0	9.0	9.8	10.7
35	2-F1-4	2-E1-2	9.0	9.0	9.0	9.0	9.0	9.0	9.0
35	2-F1-4	2-E1-3	9.0	9.0	9.0	9.0	9.0	9.0	9.0
40	F1-3	E1-2	23.5	27.3	31.0	34.8	38.6	42.4	46.2
40	F1-4	E1-2	23.5	27.3	31.0	34.8	38.6	42.4	46.2
40	F1-4	E1-3	9.0	9.4	9.0	9.0	9.4	9.0	9.0
40	2-F1-3	2-E1-2	9.0	9.4	9.0	9.0	9.8	10.7	11.7
40	2-F1-4	2-E1-2	9.0	9.4	9.0	9.0	9.4	9.0	9.0
40	2-F1-4	2-E1-3	9.0	9.4	9.0	9.0	9.4	9.0	9.0
45	F1-3	E1-2	28.0	32.5	37.0	41.5	46.0	50.5	55.0
45	F1-4	E1-2	28.0	32.5	37.0	41.5	46.0	50.5	55.0
45	F1-4	E1-3	9.0	10.4	9.0	9.0	10.4	9.2	9.7
45	2-F1-3	2-E1-2	9.0	10.4	9.0	9.6	10.6	11.7	12.7
45	2-F1-4	2-E1-2	9.0	10.4	9.0	9.0	10.4	9.2	9.7
45	2-F1-4	2-E1-3	9.0	10.4	9.0	9.0	10.4	9.2	9.0
50	F1-4	E1-3	9.0	11.3	9.0	9.0	11.3	10.0	10.7
50	2-F1-3	2-E1-2	9.0	11.3	9.2	10.3	11.5	12.6	13.7
50	2-F1-4	2-E1-2	9.0	11.3	9.0	9.0	11.3	10.0	10.7
50	2-F1-4	2-E1-3	9.0	11.3	9.0	9.0	11.3	10.0	9.5
55	F1-4	E1-3	9.0	12.2	9.0	9.0	12.2	10.9	11.7
55	2-F1-3	2-E1-2	9.0	12.2	10.6	11.9	13.2	14.5	15.8
55	2-F1-4	2-E1-2	9.0	12.2	9.0	9.0	12.2	10.9	11.7
55	2-F1-4	2-E1-3	9.0	12.2	9.0	9.0	12.2	10.9	10.3
60	F1-4	E1-3	9.0	13.1	9.0	9.6	13.1	11.6	11.7
60	2-F1-3	2-E1-2	9.0	13.1	11.3	12.7	14.1	15.4	16.8
60	2-F1-4	2-E1-2	9.0	13.1	9.0	9.6	13.1	11.6	11.7
60	2-F1-4	2-E1-3	9.0	13.1	9.0	9.6	13.1	11.6	11.0
1-Phase, 336 AAC Primary, 336 AAC Neutral, Light Loading, Grade C - Crossing, 325' span, soil class 3									
5	F1-3	E1-2	9.0	9.0	9.0	9.0	9.8	10.7	11.7
5	F1-4	E1-2	9.0	9.0	9.0	9.0	9.8	10.7	11.7
5	F1-4	E1-3	9.0	9.0	9.0	9.0	9.0	9.0	9.0
5	2-F1-3	2-E1-2	9.0	9.0	9.0	9.0	9.0	9.0	9.0
5	2-F1-4	2-E1-2	9.0	9.0	9.0	9.0	9.0	9.0	9.0

## PEC Minimum Guy Lead 1-Phase #336 AAC

Assume only PEC conductors on pole. No communication cables.

Soil Class 2 should be used in areas of solid rock.

Soil Class 3 is shale and broken bed rock. It should be used in most other areas.

Soil Class 7 is fill, silt, fine loose sands. It should be used in areas south of Austin and east of IH-35.

Total Line Angle	Anchor Type	Guy Type	35'_CL5	40'_CL5	45'_CL3	50'_CL3	55'_CL3	60'_CL2	65'_CL1
5	2-F1-4	2-E1-3	9.0	9.0	9.0	9.0	9.0	9.0	9.0
10	F1-3	E1-2	9.0	9.9	11.3	12.7	14.1	15.4	16.8
10	F1-4	E1-2	9.0	9.9	11.3	12.7	14.1	15.4	16.8
10	F1-4	E1-3	9.0	9.0	9.0	9.0	9.0	9.0	9.0
10	2-F1-3	2-E1-2	9.0	9.0	9.0	9.0	9.0	9.0	9.0
10	2-F1-4	2-E1-2	9.0	9.0	9.0	9.0	9.0	9.0	9.0
10	2-F1-4	2-E1-3	9.0	9.0	9.0	9.0	9.0	9.0	9.0
15	F1-3	E1-2	11.3	13.1	14.9	16.8	18.6	20.4	22.2
15	F1-4	E1-2	11.3	13.1	14.9	16.8	18.6	20.4	22.2
15	F1-4	E1-3	9.0	9.0	9.0	9.0	9.0	9.0	9.0
15	2-F1-3	2-E1-2	9.0	9.0	9.0	9.0	9.0	9.0	9.0
15	2-F1-4	2-E1-2	9.0	9.0	9.0	9.0	9.0	9.0	9.0
15	2-F1-4	2-E1-3	9.0	9.0	9.0	9.0	9.0	9.0	9.0
20	F1-3	E1-2	14.3	16.6	18.9	21.1	23.4	25.7	28.0
20	F1-4	E1-2	14.3	16.6	18.9	21.1	23.4	25.7	28.0
20	F1-4	E1-3	9.0	9.0	9.0	9.0	9.0	9.0	9.0
20	2-F1-3	2-E1-2	9.0	9.0	9.0	9.0	9.0	9.0	9.0
20	2-F1-4	2-E1-2	9.0	9.0	9.0	9.0	9.0	9.0	9.0
20	2-F1-4	2-E1-3	9.0	9.0	9.0	9.0	9.0	9.0	9.0
25	F1-3	E1-2	17.5	20.3	23.1	25.9	28.7	31.6	34.4
25	F1-4	E1-2	17.5	20.3	23.1	25.9	28.7	31.6	34.4
25	F1-4	E1-3	9.0	9.0	9.0	9.0	9.0	9.0	9.0
25	2-F1-3	2-E1-2	9.0	9.0	9.0	9.0	9.0	9.0	9.7
25	2-F1-4	2-E1-2	9.0	9.0	9.0	9.0	9.0	9.0	9.0
25	2-F1-4	2-E1-3	9.0	9.0	9.0	9.0	9.0	9.0	9.0
30	F1-3	E1-2	21.9	25.4	28.9	32.4	35.9	39.5	43.0
30	F1-4	E1-2	21.9	25.4	28.9	32.4	35.9	39.5	43.0
30	F1-4	E1-3	9.0	9.0	9.0	9.0	9.0	9.0	9.0
30	2-F1-3	2-E1-2	9.0	9.0	9.0	9.0	9.0	9.8	10.7
30	2-F1-4	2-E1-2	9.0	9.0	9.0	9.0	9.0	9.0	9.0
30	2-F1-4	2-E1-3	9.0	9.0	9.0	9.0	9.0	9.0	9.0
35	F1-3	E1-2	27.0	31.4	35.7	40.1	44.4	48.8	53.1
35	F1-4	E1-2	27.0	31.4	35.7	40.1	44.4	48.8	53.1
35	F1-4	E1-3	9.0	10.1	9.0	9.0	10.1	9.0	9.7
35	2-F1-3	2-E1-2	9.0	10.1	9.0	9.6	10.6	11.7	12.7
35	2-F1-4	2-E1-2	9.0	10.1	9.0	9.0	10.1	9.0	9.7
35	2-F1-4	2-E1-3	9.0	10.1	9.0	9.0	10.1	9.0	9.0

## PEC Minimum Guy Lead 1-Phase #336 AAC

Assume only PEC conductors on pole. No communication cables.

Soil Class 2 should be used in areas of solid rock.

Soil Class 3 is shale and broken bed rock. It should be used in most other areas.

Soil Class 7 is fill, silt, fine loose sands. It should be used in areas south of Austin and east of IH-35.

Total Line Angle	Anchor Type	Guy Type	35' CL5	40' CL5	45' CL3	50' CL3	55' CL3	60' CL2	65' CL1
40	F1-4	E1-3	9.0	11.2	9.0	9.0	11.2	10.0	10.7
40	2-F1-3	2-E1-2	9.0	11.2	9.2	10.3	11.5	12.6	13.7
40	2-F1-4	2-E1-2	9.0	11.2	9.0	9.0	11.2	10.0	10.7
40	2-F1-4	2-E1-3	9.0	11.2	9.0	9.0	11.2	10.0	9.4
45	F1-4	E1-3	9.0	12.3	9.0	9.0	12.4	11.0	11.7
45	2-F1-3	2-E1-2	9.0	12.3	10.6	11.9	13.2	14.5	15.8
45	2-F1-4	2-E1-2	9.0	12.3	9.0	9.0	12.4	11.0	11.7
45	2-F1-4	2-E1-3	9.0	12.3	9.0	9.0	12.4	11.0	10.4
50	F1-4	E1-3	9.0	13.4	9.0	9.8	13.4	12.0	12.7
50	2-F1-3	2-E1-2	9.0	13.4	11.3	12.7	14.1	15.4	16.8
50	2-F1-4	2-E1-2	9.0	13.4	9.0	9.8	13.4	12.0	12.7
50	2-F1-4	2-E1-3	9.0	13.4	9.0	9.8	13.4	12.0	11.3
55	F1-4	E1-3	9.2	14.5	9.2	10.6	14.5	12.9	13.7
55	2-F1-3	2-E1-2	9.6	14.5	12.7	14.3	15.8	17.4	18.9
55	2-F1-4	2-E1-2	9.2	14.5	9.2	10.6	14.5	12.9	13.7
55	2-F1-4	2-E1-3	9.2	14.5	9.0	10.6	14.5	12.9	12.2
60	F1-4	E1-3	9.8	15.6	9.9	11.4	15.6	13.8	14.7
60	2-F1-3	2-E1-2	10.2	15.6	13.5	15.1	16.7	18.4	20.0
60	2-F1-4	2-E1-2	9.8	15.6	9.9	11.4	15.6	13.8	14.7
60	2-F1-4	2-E1-3	9.8	15.6	9.2	11.4	15.6	13.8	13.1

### 1-Phase, 336 AAC Primary, 336 AAC Neutral, Light Loading, Grade B, 325' span, soil class 3

5	F1-3	E1-2	9.0	9.0	9.2	10.3	11.5	12.6	13.7
5	F1-4	E1-2	9.0	9.0	9.2	10.3	11.5	12.6	13.7
5	F1-4	E1-3	9.0	9.0	9.0	9.0	9.0	9.0	9.0
5	2-F1-3	2-E1-2	9.0	9.0	9.0	9.0	9.0	9.0	9.0
5	2-F1-4	2-E1-2	9.0	9.0	9.0	9.0	9.0	9.0	9.0
5	2-F1-4	2-E1-3	9.0	9.0	9.0	9.0	9.0	9.0	9.0
10	F1-3	E1-2	10.7	12.5	14.2	15.9	17.7	19.4	21.1
10	F1-4	E1-2	10.7	12.5	14.2	15.9	17.7	19.4	21.1
10	F1-4	E1-3	9.0	9.0	9.0	9.0	9.0	9.0	9.0
10	2-F1-3	2-E1-2	9.0	9.0	9.0	9.0	9.0	9.0	9.0
10	2-F1-4	2-E1-2	9.0	9.0	9.0	9.0	9.0	9.0	9.0
10	2-F1-4	2-E1-3	9.0	9.0	9.0	9.0	9.0	9.0	9.0
15	F1-3	E1-2	14.3	16.6	18.9	21.1	23.4	25.7	28.0
15	F1-4	E1-2	14.3	16.6	18.9	21.1	23.4	25.7	28.0
15	F1-4	E1-3	9.0	9.0	9.0	9.0	9.0	9.0	9.0

## PEC Minimum Guy Lead 1-Phase #336 AAC

Assume only PEC conductors on pole. No communication cables.

Soil Class 2 should be used in areas of solid rock.

Soil Class 3 is shale and broken bed rock. It should be used in areas south of Austin and east of IH-35.

Soil Class 7 is fill, silt. fine loose sands. It should be used in areas south of Austin and east of IH-35.

Total Line Angle	Anchor Type	Guy Type	35'_CL5	40'_CL5	45'_CL3	50'_CL3	55'_CL3	60'_CL2	65'_CL1
15	F1-4	E1-3	9.0	9.0	9.0	9.0	9.0	9.0	9.0
15	2-F1-3	2-E1-2	9.0	9.0	9.0	9.0	9.0	9.0	9.0
15	2-F1-4	2-E1-2	9.0	9.0	9.0	9.0	9.0	9.0	9.0
15	2-F1-4	2-E1-3	9.0	9.0	9.0	9.0	9.0	9.0	9.0
20	F1-3	E1-2	18.9	21.9	25.0	28.0	31.0	34.1	37.1
20	F1-4	E1-2	18.9	21.9	25.0	28.0	31.0	34.1	37.1
20	F1-4	E1-3	9.0	9.0	9.0	9.0	9.0	9.0	9.0
20	2-F1-3	2-E1-2	9.0	9.0	9.0	9.0	9.0	9.0	9.7
20	2-F1-4	2-E1-2	9.0	9.0	9.0	9.0	9.0	9.0	9.0
20	2-F1-4	2-E1-3	9.0	9.0	9.0	9.0	9.0	9.0	9.0
25	F1-3	E1-2	24.3	28.3	32.2	36.1	40.0	43.9	47.8
25	F1-4	E1-2	24.3	28.3	32.2	36.1	40.0	43.9	47.8
25	F1-4	E1-3	9.0	9.6	9.0	9.0	9.6	9.0	9.0
25	2-F1-3	2-E1-2	9.0	9.6	9.0	9.0	9.8	10.7	11.7
25	2-F1-4	2-E1-2	9.0	9.6	9.0	9.0	9.6	9.0	9.0
25	2-F1-4	2-E1-3	9.0	9.6	9.0	9.0	9.6	9.0	9.0
30	F1-4	E1-3	9.0	11.1	9.0	9.0	11.1	9.9	10.7
30	2-F1-3	2-E1-2	9.0	11.1	9.2	10.3	11.5	12.6	13.7
30	2-F1-4	2-E1-2	9.0	11.1	9.0	9.0	11.1	9.9	10.7
30	2-F1-4	2-E1-3	9.0	11.1	9.0	9.0	11.1	9.9	9.3
35	F1-4	E1-3	9.0	12.6	9.0	9.2	12.6	11.2	11.7
35	2-F1-3	2-E1-2	9.0	12.6	10.6	11.9	13.2	14.5	15.8
35	2-F1-4	2-E1-2	9.0	12.6	9.0	9.2	12.6	11.2	11.7
35	2-F1-4	2-E1-3	9.0	12.6	9.0	9.2	12.6	11.2	10.6
40	F1-4	E1-3	9.0	14.0	9.0	10.3	14.0	12.5	12.7
40	2-F1-3	2-E1-2	9.1	14.0	12.0	13.5	14.9	16.4	17.9
40	2-F1-4	2-E1-2	9.0	14.0	9.0	10.3	14.0	12.5	12.7
40	2-F1-4	2-E1-3	9.0	14.0	9.0	10.3	14.0	12.5	11.8
45	F1-4	E1-3	9.8	15.5	9.9	11.3	15.5	13.7	14.7
45	2-F1-3	2-E1-2	10.2	15.5	13.5	15.1	16.7	18.4	20.0
45	2-F1-4	2-E1-2	9.8	15.5	9.9	11.3	15.5	13.7	14.7
45	2-F1-4	2-E1-3	9.8	15.5	9.1	11.3	15.5	13.7	13.0
50	F1-4	E1-3	10.7	16.9	10.6	12.3	16.9	15.0	15.8
50	2-F1-3	2-E1-2	11.3	16.9	14.9	16.8	18.6	20.4	22.2
50	2-F1-4	2-E1-2	10.7	16.9	10.6	12.3	16.9	15.0	15.8
50	2-F1-4	2-E1-3	10.7	16.9	10.0	12.3	16.9	15.0	14.2
55	F1-4	E1-3	11.5	18.2	11.3	13.3	18.2	16.2	16.8
55	2-F1-3	2-E1-2	11.9	18.2	15.7	17.6	19.5	21.4	23.3



## PEC Minimum Guy Lead 1-Phase #336 AAC

Assume only PEC conductors on pole. No communication cables.

Soil Class 2 should be used in areas of solid rock.

Soil Class 3 is shale and broken bed rock. It should be used in most other areas.

Soil Class 7 is fill, silt, fine loose sands. It should be used in areas south of Austin and east of IH-35.

Total Line Angle	Anchor Type	Guy Type	35' CL5	40' CL5	45' CL3	50' CL3	55' CL3	60' CL2	65' CL1
55	2-F1-4	2-E1-2	11.5	18.2	11.3	13.3	18.2	16.2	16.8
55	2-F1-4	2-E1-3	11.5	18.2	10.8	13.3	18.2	16.2	15.3
60	F1-4	E1-3	12.4	19.6	12.0	14.3	19.6	17.4	17.9
60	2-F1-3	2-E1-2	13.1	19.6	17.3	19.4	21.5	23.5	25.6
60	2-F1-4	2-E1-2	12.4	19.6	12.0	14.3	19.6	17.4	17.9
60	2-F1-4	2-E1-3	12.4	19.6	11.5	14.3	19.6	17.4	16.4

### 1-Phase, 336 AAC Primary, 336 AAC Neutral, Light Loading, Grade C - No Crossing, 325' span, soil class 2

5	F2-1	E1-2	9.0	9.0	9.0	9.0	9.0	9.0	9.0
5	F2-1	E1-3	9.0	9.0	9.0	9.0	9.0	9.0	9.0
5	F3-2	E1-2	9.0	9.0	9.0	9.0	9.8	10.7	11.7
5	2-F2-1	2-E1-2	9.0	9.0	9.0	9.0	9.0	9.0	9.0
5	2-F2-1	2-E1-3	9.0	9.0	9.0	9.0	9.0	9.0	9.0
5	2-F3-2	2-E1-2	9.0	9.0	9.0	9.0	9.0	9.0	9.0
10	F2-1	E1-2	9.0	9.0	9.0	9.0	9.0	9.0	9.0
10	F2-1	E1-3	9.0	9.0	9.0	9.0	9.0	9.0	9.0
10	F3-2	E1-2	9.0	9.9	11.3	12.7	14.1	15.4	16.8
10	2-F2-1	2-E1-2	9.0	9.0	9.0	9.0	9.0	9.0	9.0
10	2-F2-1	2-E1-3	9.0	9.0	9.0	9.0	9.0	9.0	9.0
10	2-F3-2	2-E1-2	9.0	9.0	9.0	9.0	9.0	9.0	9.0
15	F2-1	E1-2	9.0	9.0	9.0	9.0	9.0	9.0	9.0
15	F2-1	E1-3	9.0	9.0	9.0	9.0	9.0	9.0	9.0
15	F3-2	E1-2	11.9	13.8	15.7	17.6	19.5	21.4	23.3
15	2-F2-1	2-E1-2	9.0	9.0	9.0	9.0	9.0	9.0	9.0
15	2-F2-1	2-E1-3	9.0	9.0	9.0	9.0	9.0	9.0	9.0
15	2-F3-2	2-E1-2	9.0	9.0	9.0	9.0	9.0	9.8	10.7
20	F2-1	E1-2	9.0	9.0	9.0	9.0	9.0	9.0	9.7
20	F2-1	E1-3	9.0	9.0	9.0	9.0	9.0	9.0	9.0
20	F3-2	E1-2	14.9	17.3	19.7	22.1	24.5	26.9	29.2
20	2-F2-1	2-E1-2	9.0	9.0	9.0	9.0	9.0	9.0	9.0
20	2-F2-1	2-E1-3	9.0	9.0	9.0	9.0	9.0	9.0	9.0
20	2-F3-2	2-E1-2	9.0	9.0	9.2	10.3	11.5	12.6	13.7
25	F2-1	E1-2	9.0	9.0	9.0	9.0	9.8	10.7	11.7
25	F2-1	E1-3	9.0	9.0	9.0	9.0	9.0	9.0	9.0
25	F3-2	E1-2	18.9	21.9	25.0	28.0	31.0	34.1	37.1
25	2-F2-1	2-E1-2	9.0	9.0	9.0	9.0	9.0	9.0	9.0
25	2-F2-1	2-E1-3	9.0	9.0	9.0	9.0	9.0	9.0	9.0
25	2-F3-2	2-E1-2	9.0	9.9	11.3	12.7	14.1	15.4	16.8

## PEC Minimum Guy Lead 1-Phase #336 AAC

Assume only PEC conductors on pole. No communication cables.

Soil Class 2 should be used in areas of solid rock.

Soil Class 3 is shale and broken bed rock. It should be used in most other areas.

Soil Class 7 is fill, silt, fine loose sands. It should be used in areas south of Austin and east of IH-35.

Total Line Angle	Anchor Type	Guy Type	35' CL5	40' CL5	45' CL3	50' CL3	55' CL3	60' CL2	65' CL1
30	F2-1	E1-2	9.0	9.0	9.2	10.3	11.5	12.6	13.7
30	F2-1	E1-3	9.0	9.0	9.0	9.0	9.0	9.0	9.0
30	F3-2	E1-2	23.5	27.3	31.0	34.8	38.6	42.4	46.2
30	2-F2-1	2-E1-2	9.0	9.0	9.0	9.0	9.0	9.0	9.0
30	2-F2-1	2-E1-3	9.0	9.0	9.0	9.0	9.0	9.0	9.0
30	2-F3-2	2-E1-2	9.6	11.2	12.7	14.3	15.8	17.4	18.9
35	F2-1	E1-2	9.0	9.3	10.6	11.9	13.2	14.5	15.8
35	F2-1	E1-3	9.0	9.0	9.0	9.0	9.0	9.0	9.7
35	2-F2-1	2-E1-2	9.0	9.0	9.0	9.0	9.0	9.0	9.0
35	2-F2-1	2-E1-3	9.0	9.0	9.0	9.0	9.0	9.0	9.0
35	2-F3-2	2-E1-2	11.3	13.1	14.9	16.8	18.6	20.4	22.2
40	F2-1	E1-2	9.1	10.6	12.0	13.5	14.9	16.4	17.9
40	F2-1	E1-3	9.0	9.4	9.0	9.0	9.4	9.8	10.7
40	2-F2-1	2-E1-2	9.0	9.4	9.0	9.0	9.4	9.0	9.0
40	2-F2-1	2-E1-3	9.0	9.4	9.0	9.0	9.4	9.0	9.0
40	2-F3-2	2-E1-2	12.5	14.5	16.5	18.5	20.5	22.5	24.5
45	F2-1	E1-2	10.2	11.8	13.5	15.1	16.7	18.4	20.0
45	F2-1	E1-3	9.0	10.4	9.0	9.0	10.4	10.7	11.7
45	2-F2-1	2-E1-2	9.0	10.4	9.0	9.0	10.4	9.2	9.7
45	2-F2-1	2-E1-3	9.0	10.4	9.0	9.0	10.4	9.2	9.0
45	2-F3-2	2-E1-2	14.3	16.6	18.9	21.1	23.4	25.7	28.0
50	F2-1	E1-2	10.7	12.5	14.2	15.9	17.7	19.4	21.1
50	F2-1	E1-3	9.0	11.3	9.0	9.6	11.3	11.7	12.7
50	2-F2-1	2-E1-2	9.0	11.3	9.0	9.0	11.3	10.0	10.7
50	2-F2-1	2-E1-3	9.0	11.3	9.0	9.0	11.3	10.0	9.5
50	2-F3-2	2-E1-2	15.5	18.0	20.5	23.0	25.5	28.0	30.5
55	F2-1	E1-2	11.9	13.8	15.7	17.6	19.5	21.4	23.3
55	F2-1	E1-3	9.0	12.2	9.2	10.3	12.2	12.6	13.7
55	2-F2-1	2-E1-2	9.0	12.2	9.0	9.0	12.2	10.9	11.7
55	2-F2-1	2-E1-3	9.0	12.2	9.0	9.0	12.2	10.9	10.3
55	2-F3-2	2-E1-2	17.5	20.3	23.1	25.9	28.7	31.6	34.4
60	F2-1	E1-2	13.1	15.2	17.3	19.4	21.5	23.5	25.6
60	F2-1	E1-3	9.0	13.1	9.9	11.1	13.1	13.5	14.7
60	2-F2-1	2-E1-2	9.0	13.1	9.0	9.6	13.1	11.6	11.7
60	2-F2-1	2-E1-3	9.0	13.1	9.0	9.6	13.1	11.6	11.0
60	2-F3-2	2-E1-2	18.9	21.9	25.0	28.0	31.0	34.1	37.1

## PEC Minimum Guy Lead 1-Phase #336 AAC

Assume only PEC conductors on pole. No communication cables.

Soil Class 2 should be used in areas of solid rock.

Soil Class 3 is shale and broken bed rock. It should be used in most other areas.

Soil Class 7 is fill, silt, fine loose sands. It should be used in areas south of Austin and east of IH-35.

Total Line Angle	Anchor Type	Guy Type	35' CL5	40' CL5	45' CL3	50' CL3	55' CL3	60' CL2	65' CL1
1-Phase, 336 AAC Primary, 336 AAC Neutral, Light Loading, Grade C - Crossing, 325' span, soil class 2									
5	F2-1	E1-2	9.0	9.0	9.0	9.0	9.0	9.0	9.0
5	F2-1	E1-3	9.0	9.0	9.0	9.0	9.0	9.0	9.0
5	F3-2	E1-2	9.0	9.0	9.9	11.1	12.3	13.5	14.7
5	2-F2-1	2-E1-2	9.0	9.0	9.0	9.0	9.0	9.0	9.0
5	2-F2-1	2-E1-3	9.0	9.0	9.0	9.0	9.0	9.0	9.0
10	F2-1	E1-2	9.0	9.0	9.0	9.0	9.0	9.0	9.0
10	F2-1	E1-3	9.0	9.0	9.0	9.0	9.0	9.0	9.0
10	F3-2	E1-2	10.7	12.5	14.2	15.9	17.7	19.4	21.1
10	2-F2-1	2-E1-2	9.0	9.0	9.0	9.0	9.0	9.0	9.0
10	2-F2-1	2-E1-3	9.0	9.0	9.0	9.0	9.0	9.0	9.0
10	2-F3-2	2-E1-2	9.0	9.0	9.0	9.0	9.0	9.8	10.7
15	F2-1	E1-2	9.0	9.0	9.0	9.0	9.0	9.0	9.7
15	F2-1	E1-3	9.0	9.0	9.0	9.0	9.0	9.0	9.0
15	F3-2	E1-2	14.9	17.3	19.7	22.1	24.5	26.9	29.2
15	2-F2-1	2-E1-2	9.0	9.0	9.0	9.0	9.0	9.0	9.0
15	2-F2-1	2-E1-3	9.0	9.0	9.0	9.0	9.0	9.0	9.0
15	2-F3-2	2-E1-2	9.0	9.0	9.2	10.3	11.5	12.6	13.7
20	F2-1	E1-2	9.0	9.0	9.0	9.0	9.8	10.7	11.7
20	F2-1	E1-3	9.0	9.0	9.0	9.0	9.0	9.0	9.0
20	F3-2	E1-2	18.9	21.9	25.0	28.0	31.0	34.1	37.1
20	2-F2-1	2-E1-2	9.0	9.0	9.0	9.0	9.0	9.0	9.0
20	2-F2-1	2-E1-3	9.0	9.0	9.0	9.0	9.0	9.0	9.0
20	2-F3-2	2-E1-2	9.0	9.9	11.3	12.7	14.1	15.4	16.8
25	F2-1	E1-2	9.0	9.0	9.9	11.1	12.3	13.5	14.7
25	F2-1	E1-3	9.0	9.0	9.0	9.0	9.0	9.0	9.0
25	F3-2	E1-2	25.2	29.3	33.3	37.4	41.4	45.5	49.5
25	2-F2-1	2-E1-2	9.0	9.0	9.0	9.0	9.0	9.0	9.0
25	2-F2-1	2-E1-3	9.0	9.0	9.0	9.0	9.0	9.0	9.0
25	2-F3-2	2-E1-2	10.2	11.8	13.5	15.1	16.7	18.4	20.0
30	F2-1	E1-2	9.0	9.9	11.3	12.7	14.1	15.4	16.8
30	F2-1	E1-3	9.0	9.0	9.0	9.0	9.0	9.0	9.7
30	2-F2-1	2-E1-2	9.0	9.0	9.0	9.0	9.0	9.0	9.0
30	2-F2-1	2-E1-3	9.0	9.0	9.0	9.0	9.0	9.0	9.0
30	2-F3-2	2-E1-2	11.9	13.8	15.7	17.6	19.5	21.4	23.3
35	F2-1	E1-2	9.6	11.2	12.7	14.3	15.8	17.4	18.9
35	F2-1	E1-3	9.0	10.1	9.0	9.0	10.1	9.8	10.7

## PEC Minimum Guy Lead 1-Phase #336 AAC

Assume only PEC conductors on pole. No communication cables.

Soil Class 2 should be used in areas of solid rock.

Soil Class 3 is shale and broken bed rock. It should be used in most other areas.

Soil Class 7 is fill, silt, fine loose sands. It should be used in areas south of Austin and east of IH-35.

Total Line Angle	Anchor Type	Guy Type	35' CL5	40' CL5	45' CL3	50' CL3	55' CL3	60' CL2	65' CL1
35	2-F2-1	2-E1-2	9.0	10.1	9.0	9.0	10.1	9.0	9.7
35	2-F2-1	2-E1-3	9.0	10.1	9.0	9.0	10.1	9.0	9.0
35	2-F3-2	2-E1-2	13.7	15.9	18.0	20.2	22.4	24.6	26.8
40	F2-1	E1-2	10.7	12.5	14.2	15.9	17.7	19.4	21.1
40	F2-1	E1-3	9.0	11.2	9.0	9.6	11.2	11.7	12.7
40	2-F2-1	2-E1-2	9.0	11.2	9.0	9.0	11.2	10.0	10.7
40	2-F2-1	2-E1-3	9.0	11.2	9.0	9.0	11.2	10.0	9.4
40	2-F3-2	2-E1-2	15.5	18.0	20.5	23.0	25.5	28.0	30.5
45	F2-1	E1-2	11.9	13.8	15.7	17.6	19.5	21.4	23.3
45	F2-1	E1-3	9.0	12.3	9.2	10.3	12.4	12.6	13.7
45	2-F2-1	2-E1-2	9.0	12.3	9.0	9.0	12.4	11.0	11.7
45	2-F2-1	2-E1-3	9.0	12.3	9.0	9.0	12.4	11.0	10.4
45	2-F3-2	2-E1-2	17.5	20.3	23.1	25.9	28.7	31.6	34.4
50	F2-1	E1-2	13.7	15.9	18.0	20.2	22.4	24.6	26.8
50	F2-1	E1-3	9.0	13.4	9.9	11.1	13.4	13.5	14.7
50	2-F2-1	2-E1-2	9.0	13.4	9.0	9.8	13.4	12.0	12.7
50	2-F2-1	2-E1-3	9.0	13.4	9.0	9.8	13.4	12.0	11.3
50	2-F3-2	2-E1-2	19.6	22.8	25.9	29.1	32.2	35.4	38.5
55	F2-1	E1-2	14.9	17.3	19.7	22.1	24.5	26.9	29.2
55	F2-1	E1-3	9.2	14.5	10.6	11.9	14.5	14.5	15.8
55	2-F2-1	2-E1-2	9.2	14.5	9.2	10.6	14.5	12.9	13.7
55	2-F2-1	2-E1-3	9.2	14.5	9.0	10.6	14.5	12.9	12.2
55	2-F3-2	2-E1-2	22.7	26.3	30.0	33.6	37.3	40.9	44.5
60	F2-1	E1-2	16.2	18.8	21.4	24.0	26.6	29.2	31.8
60	F2-1	E1-3	9.8	15.6	11.3	12.7	15.6	15.4	16.8
60	2-F2-1	2-E1-2	9.8	15.6	9.9	11.4	15.6	13.8	14.7
60	2-F3-2	2-E1-2	25.2	29.3	33.3	37.4	41.4	45.5	49.5

1-Phase, 336 AAC Primary, 336 AAC Neutral, Light Loading, Grade B, 325' span, soil class 2

5	F2-1	E1-2	9.0	9.0	9.0	9.0	9.0	9.0	9.0
5	F2-1	E1-3	9.0	9.0	9.0	9.0	9.0	9.0	9.0
5	F3-2	E1-2	9.1	10.6	12.0	13.5	14.9	16.4	17.9
5	2-F2-1	2-E1-2	9.0	9.0	9.0	9.0	9.0	9.0	9.0
5	2-F2-1	2-E1-3	9.0	9.0	9.0	9.0	9.0	9.0	9.0
5	2-F3-2	2-E1-2	9.0	9.0	9.0	9.0	9.0	9.0	9.0
10	F2-1	E1-2	9.0	9.0	9.0	9.0	9.0	9.0	9.7
10	F2-1	E1-3	9.0	9.0	9.0	9.0	9.0	9.0	9.0
10	F3-2	E1-2	13.7	15.9	18.0	20.2	22.4	24.6	26.8

## PEC Minimum Guy Lead 1-Phase #336 AAC

Assume only PEC conductors on pole. No communication cables.

Soil Class 2 should be used in areas of solid rock.

Soil Class 3 is shale and broken bed rock. It should be used in most other areas.

Soil Class 7 is fill, silt, fine loose sands. It should be used in areas south of Austin and east of IH-35.

Total Line Angle	Anchor Type	Guy Type	35' CL5	40' CL5	45' CL3	50' CL3	55' CL3	60' CL2	65' CL1
10	2-F2-1	2-E1-2	9.0	9.0	9.0	9.0	9.0	9.0	9.0
10	2-F2-1	2-E1-3	9.0	9.0	9.0	9.0	9.0	9.0	9.0
10	2-F3-2	2-E1-2	9.0	9.0	9.0	9.6	10.6	11.7	12.7
15	F2-1	E1-2	9.0	9.0	9.0	9.0	9.8	10.7	11.7
15	F2-1	E1-3	9.0	9.0	9.0	9.0	9.0	9.0	9.0
15	F3-2	E1-2	19.6	22.8	25.9	29.1	32.2	35.4	38.5
15	2-F2-1	2-E1-2	9.0	9.0	9.0	9.0	9.0	9.0	9.0
15	2-F2-1	2-E1-3	9.0	9.0	9.0	9.0	9.0	9.0	9.0
15	2-F3-2	2-E1-2	9.0	9.9	11.3	12.7	14.1	15.4	16.8
20	F2-1	E1-2	9.0	9.0	9.9	11.1	12.3	13.5	14.7
20	F2-1	E1-3	9.0	9.0	9.0	9.0	9.0	9.0	9.0
20	F3-2	E1-2	27.0	31.4	35.7	40.1	44.4	48.8	53.1
20	2-F2-1	2-E1-2	9.0	9.0	9.0	9.0	9.0	9.0	9.0
20	2-F2-1	2-E1-3	9.0	9.0	9.0	9.0	9.0	9.0	9.0
20	2-F3-2	2-E1-2	10.7	12.5	14.2	15.9	17.7	19.4	21.1
25	F2-1	E1-2	9.1	10.6	12.0	13.5	14.9	16.4	17.9
25	F2-1	E1-3	9.0	9.6	9.0	9.0	9.6	9.8	10.7
25	2-F2-1	2-E1-2	9.0	9.6	9.0	9.0	9.6	9.0	9.0
25	2-F2-1	2-E1-3	9.0	9.6	9.0	9.0	9.6	9.0	9.0
25	2-F3-2	2-E1-2	13.1	15.2	17.3	19.4	21.5	23.5	25.6
30	F2-1	E1-2	10.7	12.5	14.2	15.9	17.7	19.4	21.1
30	F2-1	E1-3	9.0	11.1	9.0	9.0	11.1	10.7	11.7
30	2-F2-1	2-E1-2	9.0	11.1	9.0	9.0	11.1	9.9	10.7
30	2-F2-1	2-E1-3	9.0	11.1	9.0	9.0	11.1	9.9	10.7
30	2-F3-2	2-E1-2	15.5	18.0	20.5	23.0	25.5	28.0	30.5
35	F2-1	E1-2	12.5	14.5	16.5	18.5	20.5	22.5	24.5
35	F2-1	E1-3	9.0	12.6	9.2	10.3	12.6	12.6	13.7
35	2-F2-1	2-E1-2	9.0	12.6	9.0	9.2	12.6	11.2	11.7
35	2-F2-1	2-E1-3	9.0	12.6	9.0	9.2	12.6	11.2	10.6
35	2-F3-2	2-E1-2	18.2	21.1	24.0	27.0	29.9	32.8	35.7
40	F2-1	E1-2	14.3	16.6	18.9	21.1	23.4	25.7	28.0
40	F2-1	E1-3	9.0	14.0	10.6	11.9	14.0	14.5	15.8
40	2-F2-1	2-E1-2	9.0	14.0	9.0	10.3	14.0	12.5	12.7
40	2-F2-1	2-E1-3	9.0	14.0	9.0	10.3	14.0	12.5	11.8
40	2-F3-2	2-E1-2	21.1	24.5	27.9	31.3	34.7	38.1	41.4
45	F2-1	E1-2	16.2	18.8	21.4	24.0	26.6	29.2	31.8
45	F2-1	E1-3	9.8	15.5	11.3	12.7	15.5	15.4	16.8
45	2-F2-1	2-E1-2	9.8	15.5	9.9	11.3	15.5	13.7	14.7

## PEC Minimum Guy Lead 1-Phase #336 AAC

Assume only PEC conductors on pole. No communication cables.

Soil Class 2 should be used in areas of solid rock.

Soil Class 3 is shale and broken bed rock. It should be used in most other areas.

Soil Class 7 is fill, silt, fine loose sands. It should be used in areas south of Austin and east of IH-35.

Total Line Angle	Anchor Type	Guy Type	35'_CL5	40'_CL5	45'_CL3	50'_CL3	55'_CL3	60'_CL2	65'_CL1
45	2-F2-1	2-E1-3	9.8	15.5	9.1	11.3	15.5	13.7	13.0
45	2-F3-2	2-E1-2	25.2	29.3	33.3	37.4	41.4	45.5	49.5
50	F2-1	E1-2	18.2	21.1	24.0	27.0	29.9	32.8	35.7
50	F2-1	E1-3	10.7	16.9	12.7	14.3	16.9	17.4	18.9
50	2-F2-1	2-E1-2	10.7	16.9	10.6	12.3	16.9	15.0	15.8
50	2-F2-1	2-E1-3	10.7	16.9	10.0	12.3	16.9	15.0	14.2
55	F2-1	E1-2	20.3	23.6	26.9	30.2	33.4	36.7	40.0
55	F2-1	E1-3	11.5	18.2	13.5	15.1	18.2	18.4	20.0
55	2-F2-1	2-E1-2	11.5	18.2	11.3	13.3	18.2	16.2	16.8
55	2-F2-1	2-E1-3	11.5	18.2	10.8	13.3	18.2	16.2	15.3
60	F2-1	E1-2	22.7	26.3	30.0	33.6	37.3	40.9	44.5
60	F2-1	E1-3	12.4	19.6	14.9	16.8	19.6	20.4	22.2
60	2-F2-1	2-E1-2	12.4	19.6	12.0	14.3	19.6	17.4	17.9
60	2-F2-1	2-E1-3	12.4	19.6	11.5	14.3	19.6	17.4	16.4

1-Phase, 336 AAC Primary, 336 AAC Neutral, Light Loading, Grade C - No Crossing, 325' span, soil class 7									
5	F1-3	E1-2	9.0	9.0	9.0	9.0	9.8	10.7	11.7
5	F1-4	E1-2	9.0	9.0	9.0	9.0	9.0	9.0	9.0
5	F1-4	E1-3	9.0	9.0	9.0	9.0	9.0	9.0	9.0
5	2-F1-3	2-E1-2	9.0	9.0	9.0	9.0	9.0	9.0	9.0
5	2-F1-4	2-E1-2	9.0	9.0	9.0	9.0	9.0	9.0	9.0
5	2-F1-4	2-E1-3	9.0	9.0	9.0	9.0	9.0	9.0	9.0
10	F1-3	E1-2	9.0	9.9	11.3	12.7	14.1	15.4	16.8
10	F1-4	E1-2	9.0	9.0	9.0	9.0	9.0	9.0	9.0
10	F1-4	E1-3	9.0	9.0	9.0	9.0	9.0	9.0	9.0
10	2-F1-3	2-E1-2	9.0	9.0	9.0	9.0	9.0	9.0	9.0
10	2-F1-4	2-E1-2	9.0	9.0	9.0	9.0	9.0	9.0	9.0
10	2-F1-4	2-E1-3	9.0	9.0	9.0	9.0	9.0	9.0	9.0
15	F1-3	E1-2	11.9	13.8	15.7	17.6	19.5	21.4	23.3
15	F1-4	E1-2	9.0	9.0	9.0	9.0	9.0	9.0	9.0
15	F1-4	E1-3	9.0	9.0	9.0	9.0	9.0	9.0	9.0
15	2-F1-3	2-E1-2	9.0	9.0	9.0	9.0	9.0	9.8	10.7
15	2-F1-4	2-E1-2	9.0	9.0	9.0	9.0	9.0	9.0	9.0
15	2-F1-4	2-E1-3	9.0	9.0	9.0	9.0	9.0	9.0	9.0
20	F1-3	E1-2	14.9	17.3	19.7	22.1	24.5	26.9	29.2
20	F1-4	E1-2	9.0	9.0	9.0	9.0	9.0	9.0	9.7
20	F1-4	E1-3	9.0	9.0	9.0	9.0	9.0	9.0	9.0
20	2-F1-3	2-E1-2	9.0	9.0	9.2	10.3	11.5	12.6	13.7

## PEC Minimum Guy Lead 1-Phase #336 AAC

Assume only PEC conductors on pole. No communication cables.

Soil Class 2 should be used in areas of solid rock.

Soil Class 3 is shale and broken bed rock. It should be used in most other areas.

Soil Class 7 is fill, silt, fine loose sands. It should be used in areas south of Austin and east of IH-35.

Total Line Angle	Anchor Type	Guy Type	35°_CL5	40°_CL5	45°_CL3	50°_CL3	55°_CL3	60°_CL2	65°_CL1
20	2-F1-4	2-E1-2	9.0	9.0	9.0	9.0	9.0	9.0	9.0
20	2-F1-4	2-E1-3	9.0	9.0	9.0	9.0	9.0	9.0	9.0
25	F1-3	E1-2	18.9	21.9	25.0	28.0	31.0	34.1	37.1
25	F1-4	E1-2	9.0	9.0	9.0	9.0	9.8	10.7	11.7
25	F1-4	E1-3	9.0	9.0	9.0	9.0	9.0	9.0	9.7
25	2-F1-3	2-E1-2	9.0	9.9	11.3	12.7	14.1	15.4	16.8
25	2-F1-4	2-E1-2	9.0	9.0	9.0	9.0	9.0	9.0	9.0
25	2-F1-4	2-E1-3	9.0	9.0	9.0	9.0	9.0	9.0	9.0
30	F1-3	E1-2	23.5	27.3	31.0	34.8	38.6	42.4	46.2
30	F1-4	E1-2	9.0	9.0	9.2	10.3	11.5	12.6	13.7
30	F1-4	E1-3	9.0	9.0	9.0	9.0	9.8	10.7	11.7
30	2-F1-3	2-E1-2	9.6	11.2	12.7	14.3	15.8	17.4	18.9
30	2-F1-4	2-E1-2	9.0	9.0	9.0	9.0	9.0	9.0	9.0
30	2-F1-4	2-E1-3	9.0	9.0	9.0	9.0	9.0	9.0	9.0
35	F1-4	E1-2	9.0	9.3	10.6	11.9	13.2	14.5	15.8
35	F1-4	E1-3	9.0	9.0	9.2	10.3	11.5	12.6	13.7
35	2-F1-3	2-E1-2	11.3	13.1	14.9	16.8	18.6	20.4	22.2
35	2-F1-4	2-E1-2	9.0	9.0	9.0	9.0	9.0	9.0	9.0
35	2-F1-4	2-E1-3	9.0	9.0	9.0	9.0	9.0	9.0	9.0
40	F1-4	E1-2	9.1	10.6	12.0	13.5	14.9	16.4	17.9
40	F1-4	E1-3	9.0	9.4	9.9	11.1	12.3	13.5	14.7
40	2-F1-3	2-E1-2	12.5	14.5	16.5	18.5	20.5	22.5	24.5
40	2-F1-4	2-E1-2	9.0	9.4	9.0	9.0	9.4	9.0	9.0
40	2-F1-4	2-E1-3	9.0	9.4	9.0	9.0	9.4	9.0	9.0
45	F1-4	E1-2	10.2	11.8	13.5	15.1	16.7	18.4	20.0
45	F1-4	E1-3	9.0	10.4	11.3	12.7	14.1	15.4	16.8
45	2-F1-3	2-E1-2	14.3	16.6	18.9	21.1	23.4	25.7	28.0
45	2-F1-4	2-E1-2	9.0	10.4	9.0	9.0	10.4	9.2	9.7
45	2-F1-4	2-E1-3	9.0	10.4	9.0	9.0	10.4	9.2	9.0
50	F1-4	E1-2	10.7	12.5	14.2	15.9	17.7	19.4	21.1
50	F1-4	E1-3	9.1	11.3	12.0	13.5	14.9	16.4	17.9
50	2-F1-3	2-E1-2	15.5	18.0	20.5	23.0	25.5	28.0	30.5
50	2-F1-4	2-E1-2	9.0	11.3	9.0	9.0	11.3	10.0	10.7
50	2-F1-4	2-E1-3	9.0	11.3	9.0	9.0	11.3	10.0	9.5
55	F1-4	E1-2	11.9	13.8	15.7	17.6	19.5	21.4	23.3
55	F1-4	E1-3	9.6	12.2	12.7	14.3	15.8	17.4	18.9
55	2-F1-3	2-E1-2	17.5	20.3	23.1	25.9	28.7	31.6	34.4
55	2-F1-4	2-E1-2	9.0	12.2	9.0	9.0	12.2	10.9	11.7





## PEC Minimum Guy Lead 1-Phase #336 AAC

Assume only PEC conductors on pole. No communication cables.  
 Soil Class 2 should be used in areas of solid rock.  
 Soil Class 3 is shale and broken bed rock. It should be used in most other areas.  
 Soil Class 7 is fill, silt, fine loose sands. It should be used in areas south of Austin and east of IH-35.

Total Line Angle	Anchor Type	Guy Type	35' CL5	40' CL5	45' CL3	50' CL3	55' CL3	60' CL2	65' CL1
30	F1-4	E1-2	9.0	9.9	11.3	12.7	14.1	15.4	16.8
30	F1-4	E1-3	9.0	9.0	9.2	10.3	11.5	12.6	13.7
30	2-F1-3	2-E1-2	11.9	13.8	15.7	17.6	19.5	21.4	23.3
30	2-F1-4	2-E1-2	9.0	9.0	9.0	9.0	9.0	9.0	9.0
30	2-F1-4	2-E1-3	9.0	9.0	9.0	9.0	9.0	9.0	9.0
35	F1-4	E1-2	9.6	11.2	12.7	14.3	15.8	17.4	18.9
35	F1-4	E1-3	9.0	10.1	10.6	11.9	13.2	14.5	15.8
35	2-F1-3	2-E1-2	13.7	15.9	18.0	20.2	22.4	24.6	26.8
35	2-F1-4	2-E1-2	9.0	10.1	9.0	9.0	10.1	9.0	9.7
35	2-F1-4	2-E1-3	9.0	10.1	9.0	9.0	10.1	9.0	9.0
40	F1-4	E1-2	10.7	12.5	14.2	15.9	17.7	19.4	21.1
40	F1-4	E1-3	9.1	11.2	12.0	13.5	14.9	16.4	17.9
40	2-F1-3	2-E1-2	15.5	18.0	20.5	23.0	25.5	28.0	30.5
40	2-F1-4	2-E1-2	9.0	11.2	9.0	9.0	11.2	10.0	10.7
40	2-F1-4	2-E1-3	9.0	11.2	9.0	9.0	11.2	10.0	9.4
45	F1-4	E1-2	11.9	13.8	15.7	17.6	19.5	21.4	23.3
45	F1-4	E1-3	10.2	12.3	13.5	15.1	16.7	18.4	20.0
45	2-F1-3	2-E1-2	17.5	20.3	23.1	25.9	28.7	31.6	34.4
45	2-F1-4	2-E1-2	9.0	12.3	9.0	9.0	12.4	11.0	11.7
45	2-F1-4	2-E1-3	9.0	12.3	9.0	9.0	12.4	11.0	10.4
50	F1-4	E1-2	13.7	15.9	18.0	20.2	22.4	24.6	26.8
50	F1-4	E1-3	10.7	13.4	14.2	15.9	17.7	19.4	21.1
50	2-F1-3	2-E1-2	19.6	22.8	25.9	29.1	32.2	35.4	38.5
50	2-F1-4	2-E1-2	9.0	13.4	9.0	9.8	13.4	12.0	12.7
50	2-F1-4	2-E1-3	9.0	13.4	9.0	9.8	13.4	12.0	11.3
55	F1-4	E1-2	14.9	17.3	19.7	22.1	24.5	26.9	29.2
55	F1-4	E1-3	11.9	14.5	15.7	17.6	19.5	21.4	23.3
55	2-F1-3	2-E1-2	22.7	26.3	30.0	33.6	37.3	40.9	44.5
55	2-F1-4	2-E1-2	9.2	14.5	9.2	10.6	14.5	12.9	13.7
55	2-F1-4	2-E1-3	9.2	14.5	9.0	10.6	14.5	12.9	12.2
60	F1-4	E1-2	16.2	18.8	21.4	24.0	26.6	29.2	31.8
60	F1-4	E1-3	13.1	15.6	17.3	19.4	21.5	23.5	25.6
60	2-F1-3	2-E1-2	25.2	29.3	33.3	37.4	41.4	45.5	49.5
60	2-F1-4	2-E1-2	9.8	15.6	9.9	11.4	15.6	13.8	14.7
60	2-F1-4	2-E1-3	9.8	15.6	9.2	11.4	15.6	13.8	13.1

1-Phase, 336 AAC Primary, 336 AAC Neutral, Light Loading, Grade B, 325' span, soil class 7									
5	F1-3	E1-2	9.1	10.6	12.0	13.5	14.9	16.4	17.9

## PEC Minimum Guy Lead 1-Phase #336 AAC

Assume only PEC conductors on pole. No communication cables.

Soil Class 2 should be used in areas of solid rock.

Soil Class 3 is shale and broken bed rock. It should be used in most other areas.

Soil Class 7 is fill, silt, fine loose sands. It should be used in areas south of Austin and east of IH-35.

Total Line Angle	Anchor Type	Guy Type	35°_CL5	40°_CL5	45°_CL3	50°_CL3	55°_CL3	60°_CL2	65°_CL1
5	F1-4	E1-2	9.0	9.0	9.0	9.0	9.0	9.0	9.0
5	F1-4	E1-3	9.0	9.0	9.0	9.0	9.0	9.0	9.0
5	2-F1-3	2-E1-2	9.0	9.0	9.0	9.0	9.0	9.0	9.0
5	2-F1-4	2-E1-2	9.0	9.0	9.0	9.0	9.0	9.0	9.0
5	2-F1-4	2-E1-3	9.0	9.0	9.0	9.0	9.0	9.0	9.0
10	F1-3	E1-2	13.7	15.9	18.0	20.2	22.4	24.6	26.8
10	F1-4	E1-2	9.0	9.0	9.0	9.0	9.0	9.0	9.7
10	F1-4	E1-3	9.0	9.0	9.0	9.0	9.0	9.0	9.0
10	2-F1-3	2-E1-2	9.0	9.0	9.0	9.6	10.6	11.7	12.7
10	2-F1-4	2-E1-2	9.0	9.0	9.0	9.0	9.0	9.0	9.0
10	2-F1-4	2-E1-3	9.0	9.0	9.0	9.0	9.0	9.0	9.0
15	F1-3	E1-2	19.6	22.8	25.9	29.1	32.2	35.4	38.5
15	F1-4	E1-2	9.0	9.0	9.0	9.0	9.8	10.7	11.7
15	F1-4	E1-3	9.0	9.0	9.0	9.0	9.0	9.8	10.7
15	2-F1-3	2-E1-2	9.0	9.9	11.3	12.7	14.1	15.4	16.8
15	2-F1-4	2-E1-2	9.0	9.0	9.0	9.0	9.0	9.0	9.0
15	2-F1-4	2-E1-3	9.0	9.0	9.0	9.0	9.0	9.0	9.0
20	F1-3	E1-2	27.0	31.4	35.7	40.1	44.4	48.8	53.1
20	F1-4	E1-2	9.0	9.0	9.9	11.1	12.3	13.5	14.7
20	F1-4	E1-3	9.0	9.0	9.0	9.6	10.6	11.7	12.7
20	2-F1-3	2-E1-2	10.7	12.5	14.2	15.9	17.7	19.4	21.1
20	2-F1-4	2-E1-2	9.0	9.0	9.0	9.0	9.0	9.0	9.0
20	2-F1-4	2-E1-3	9.0	9.0	9.0	9.0	9.0	9.0	9.0
25	F1-4	E1-2	9.1	10.6	12.0	13.5	14.9	16.4	17.9
25	F1-4	E1-3	9.0	9.6	9.9	11.1	12.3	13.5	14.7
25	2-F1-3	2-E1-2	13.1	15.2	17.3	19.4	21.5	23.5	25.6
25	2-F1-4	2-E1-2	9.0	9.6	9.0	9.0	9.6	9.0	9.0
25	2-F1-4	2-E1-3	9.0	9.6	9.0	9.0	9.6	9.0	9.0
30	F1-4	E1-2	10.7	12.5	14.2	15.9	17.7	19.4	21.1
30	F1-4	E1-3	9.1	11.1	12.0	13.5	14.9	16.4	17.9
30	2-F1-3	2-E1-2	15.5	18.0	20.5	23.0	25.5	28.0	30.5
30	2-F1-4	2-E1-2	9.0	11.1	9.0	9.0	11.1	9.9	10.7
30	2-F1-4	2-E1-3	9.0	11.1	9.0	9.0	11.1	9.9	10.7
35	F1-4	E1-2	12.5	14.5	16.5	18.5	20.5	22.5	24.5
35	F1-4	E1-3	10.2	12.6	13.5	15.1	16.7	18.4	20.0
35	2-F1-3	2-E1-2	18.2	21.1	24.0	27.0	29.9	32.8	35.7
35	2-F1-4	2-E1-2	9.0	12.6	9.0	9.2	12.6	11.2	11.7
35	2-F1-4	2-E1-3	9.0	12.6	9.0	9.2	12.6	11.2	10.6

## PEC Minimum Guy Lead 1-Phase #336 AAC

Assume only PEC conductors on pole. No communication cables.

Soil Class 2 should be used in areas of solid rock.

Soil Class 3 is shale and broken bed rock. It should be used in most other areas.

Soil Class 7 is fill, silt, fine loose sands. It should be used in areas south of Austin and east of IH-35.

Total Line Angle	Anchor Type	Guy Type	35'_CL5	40'_CL5	45'_CL3	50'_CL3	55'_CL3	60'_CL2	65'_CL1
40	F1-4	E1-2	14.3	16.6	18.9	21.1	23.4	25.7	28.0
40	F1-4	E1-3	11.3	14.0	14.9	16.8	18.6	20.4	22.2
40	2-F1-3	2-E1-2	21.1	24.5	27.9	31.3	34.7	38.1	41.4
40	2-F1-4	2-E1-2	9.0	14.0	9.0	10.3	14.0	12.5	12.7
40	2-F1-4	2-E1-3	9.0	14.0	9.0	10.3	14.0	12.5	11.8
45	F1-4	E1-2	16.2	18.8	21.4	24.0	26.6	29.2	31.8
45	F1-4	E1-3	13.1	15.5	17.3	19.4	21.5	23.5	25.6
45	2-F1-3	2-E1-2	25.2	29.3	33.3	37.4	41.4	45.5	49.5
45	2-F1-4	2-E1-2	9.8	15.5	9.9	11.3	15.5	13.7	14.7
45	2-F1-4	2-E1-3	9.8	15.5	9.1	11.3	15.5	13.7	13.0
50	F1-4	E1-2	18.2	21.1	24.0	27.0	29.9	32.8	35.7
50	F1-4	E1-3	14.3	16.9	18.9	21.1	23.4	25.7	28.0
50	2-F1-4	2-E1-2	10.7	16.9	10.6	12.3	16.9	15.0	15.8
50	2-F1-4	2-E1-3	10.7	16.9	10.0	12.3	16.9	15.0	14.2
55	F1-4	E1-2	20.3	23.6	26.9	30.2	33.4	36.7	40.0
55	F1-4	E1-3	16.2	18.8	21.4	24.0	26.6	29.2	31.8
55	2-F1-4	2-E1-2	11.5	18.2	11.3	13.3	18.2	16.2	16.8
55	2-F1-4	2-E1-3	11.5	18.2	10.8	13.3	18.2	16.2	15.3
60	F1-4	E1-2	22.7	26.3	30.0	33.6	37.3	40.9	44.5
60	F1-4	E1-3	17.5	20.3	23.1	25.9	28.7	31.6	34.4
60	2-F1-4	2-E1-2	12.4	19.6	12.0	14.3	19.6	17.4	17.9
60	2-F1-4	2-E1-3	12.4	19.6	11.5	14.3	19.6	17.4	16.4

## PEC Minimum Guy Lead 3-Phase #336 AAC

Assume only PEC conductors on pole. No communication cables.

Soil Class 2 should be used in areas of solid rock.

Soil Class 3 is shale and broken bed rock. It should be used in areas south of Austin and east of IH-35.

Soil Class 7 is fill, silt, fine loose sands. It should be used in areas south of Austin and east of IH-35.

Total Line Angle	Anchor Type	Guy Type	35' CL5	40' CL5	45' CL3	50' CL3	55' CL3	60' CL2	65' CL1
3-Phase, 336 AAC Primary, 336 AAC Neutral, Light Loading, Grade C -No Crossing, 325' span, soil class 3									
5	F1-3	E1-2	9.0	9.0	9.0	9.0	9.8	10.7	11.7
5	F1-4	E1-2	9.0	9.0	9.0	9.0	9.0	9.0	9.0
5	F1-4	E1-3	9.0	9.0	9.0	9.0	9.0	9.0	9.0
5	2-F1-3	2-E1-2	9.0	9.0	9.0	9.0	9.0	9.0	9.0
5	2-F1-4	2-E1-2	9.0	9.0	9.0	9.0	9.0	9.0	9.0
5	2-F1-4	2-E1-3	9.0	9.0	9.0	9.0	9.0	9.0	9.0
10	F1-3	E1-2	9.0	9.9	11.3	12.7	14.1	15.4	16.8
10	F1-4	E1-2	9.0	9.0	9.0	9.6	10.6	11.7	12.7
10	F1-4	E1-3	9.0	9.0	9.0	9.0	9.0	9.0	9.0
10	2-F1-3	2-E1-2	9.0	9.0	9.0	9.0	9.0	9.0	9.0
10	2-F1-4	2-E1-2	9.0	9.0	9.0	9.0	9.0	9.0	9.0
10	2-F1-4	2-E1-3	9.0	9.0	9.0	9.0	9.0	9.0	9.0
15	F1-3	E1-2	11.9	13.8	15.7	17.6	19.5	21.4	23.3
15	F1-4	E1-2	9.0	9.9	11.3	12.7	14.1	15.4	16.8
15	F1-4	E1-3	9.0	9.3	9.0	9.0	9.2	9.0	9.0
15	2-F1-3	2-E1-2	9.0	9.3	9.0	9.0	9.2	9.8	10.7
15	2-F1-4	2-E1-2	9.0	9.3	9.0	9.0	9.2	9.0	9.0
15	2-F1-4	2-E1-3	9.0	9.3	9.0	9.0	9.2	9.0	9.0
20	F1-3	E1-2	14.9	17.3	19.7	22.1	24.5	26.9	29.2
20	F1-4	E1-2	10.7	12.5	14.2	15.9	17.7	19.4	21.1
20	F1-4	E1-3	9.0	11.4	9.0	9.0	11.3	9.9	9.7
20	2-F1-3	2-E1-2	9.0	11.4	9.2	10.3	11.5	12.6	13.7
20	2-F1-4	2-E1-2	9.0	11.4	9.0	9.0	11.3	9.9	9.7
20	2-F1-4	2-E1-3	9.0	11.4	9.0	9.0	11.3	9.9	9.4
25	F1-3	E1-2	18.9	21.9	25.0	28.0	31.0	34.1	37.1
25	F1-4	E1-2	13.1	15.2	17.3	19.4	21.5	23.5	25.6
25	F1-4	E1-3	9.0	13.5	9.0	9.7	13.3	11.8	11.7
25	2-F1-3	2-E1-2	9.0	13.5	11.3	12.7	14.1	15.4	16.8
25	2-F1-4	2-E1-2	9.0	13.5	9.0	9.7	13.3	11.8	11.7
25	2-F1-4	2-E1-3	9.0	13.5	9.0	9.7	13.3	11.8	11.1
30	F1-3	E1-2	23.5	27.3	31.0	34.8	38.6	42.4	46.2
30	F1-4	E1-2	15.5	18.0	20.5	23.0	25.5	28.0	30.5
30	F1-4	E1-3	9.8	15.6	9.2	11.2	15.4	13.6	13.7
30	2-F1-3	2-E1-2	9.8	15.6	12.7	14.3	15.8	17.4	18.9
30	2-F1-4	2-E1-2	9.8	15.6	9.2	11.2	15.4	13.6	13.7
30	2-F1-4	2-E1-3	9.8	15.6	9.0	11.2	15.4	13.6	12.8

## PEC Minimum Guy Lead 3-Phase #336 AAC

Assume only PEC conductors on pole. No communication cables.

Soil Class 2 should be used in areas of solid rock.

Soil Class 3 is shale and broken bed rock. It should be used in most other areas.

Soil Class 7 is fill, silt, fine loose sands. It should be used in areas south of Austin and east of IH-35.

Total Line Angle	Anchor Type	Guy Type	35'_CL5	40'_CL5	45'_CL3	50'_CL3	55'_CL3	60'_CL2	65'_CL1
35	F1-4	E1-2	18.2	21.1	24.0	27.0	29.9	32.8	35.7
35	F1-4	E1-3	11.0	17.7	10.6	12.7	17.4	15.4	15.8
35	2-F1-3	2-E1-2	11.3	17.7	14.9	16.8	18.6	20.4	22.2
35	2-F1-4	2-E1-2	11.0	17.7	10.6	12.7	17.4	15.4	15.8
35	2-F1-4	2-E1-3	11.0	17.7	10.2	12.7	17.4	15.4	14.5
40	F1-4	E1-2	21.1	24.5	27.9	31.3	34.7	38.1	41.4
40	F1-4	E1-3	12.3	19.7	12.0	14.1	19.4	17.2	17.9
40	2-F1-3	2-E1-2	12.5	19.7	16.5	18.5	20.5	22.5	24.5
40	2-F1-4	2-E1-2	12.3	19.7	12.0	14.1	19.4	17.2	17.9
40	2-F1-4	2-E1-3	12.3	19.7	11.4	14.1	19.4	17.2	16.2
45	F1-4	E1-2	24.3	28.3	32.2	36.1	40.0	43.9	47.8
45	F1-4	E1-3	13.5	21.7	13.5	15.5	21.4	18.9	20.0
45	2-F1-3	2-E1-2	14.3	21.7	18.9	21.1	23.4	25.7	28.0
45	2-F1-4	2-E1-2	13.5	21.7	13.5	15.5	21.4	18.9	20.0
45	2-F1-4	2-E1-3	13.5	21.7	12.5	15.5	21.4	18.9	17.8
50	F1-4	E1-3	14.8	23.6	14.2	16.9	23.3	20.6	21.1
50	2-F1-3	2-E1-2	15.5	23.6	20.5	23.0	25.5	28.0	30.5
50	2-F1-4	2-E1-2	14.8	23.6	14.2	16.9	23.3	20.6	21.1
50	2-F1-4	2-E1-3	14.8	23.6	13.6	16.9	23.3	20.6	19.4
55	F1-4	E1-3	15.9	25.5	15.7	18.3	25.2	22.3	23.3
55	2-F1-3	2-E1-2	17.5	25.5	23.1	25.9	28.7	31.6	34.4
55	2-F1-4	2-E1-2	15.9	25.5	15.7	18.3	25.2	22.3	23.3
55	2-F1-4	2-E1-3	15.9	25.5	14.7	18.3	25.2	22.3	21.0
60	F1-4	E1-3	17.1	27.4	17.3	19.6	27.0	23.9	25.6
60	2-F1-3	2-E1-2	18.9	27.4	25.0	28.0	31.0	34.1	37.1
60	2-F1-4	2-E1-2	17.1	27.4	17.3	19.6	27.0	23.9	25.6
60	2-F1-4	2-E1-3	17.1	27.4	15.8	19.6	27.0	23.9	22.5
3-Phase, 336 AAC Primary, 336 AAC Neutral, Light Loading, Grade C - Crossing, 325' span, soil class 3									
5	F1-3	E1-2	9.0	9.0	9.9	11.1	12.3	13.5	14.7
5	F1-4	E1-2	9.0	9.0	9.0	9.0	9.0	9.8	10.7
5	F1-4	E1-3	9.0	9.0	9.0	9.0	9.0	9.0	9.0
5	2-F1-3	2-E1-2	9.0	9.0	9.0	9.0	9.0	9.0	9.0
5	2-F1-4	2-E1-2	9.0	9.0	9.0	9.0	9.0	9.0	9.0
5	2-F1-4	2-E1-3	9.0	9.0	9.0	9.0	9.0	9.0	9.0
10	F1-3	E1-2	10.7	12.5	14.2	15.9	17.7	19.4	21.1
10	F1-4	E1-2	9.0	9.3	10.6	11.9	13.2	14.5	15.8
10	F1-4	E1-3	9.0	9.0	9.0	9.0	9.0	9.0	9.0
10	2-F1-3	2-E1-2	9.0	9.0	9.0	9.0	9.0	9.8	10.7

## PEC Minimum Guy Lead 3-Phase #336 AAC

Assume only PEC conductors on pole. No communication cables.

Soil Class 2 should be used in areas of solid rock.

Soil Class 3 is shale and broken bed rock. It should be used in most other areas.

Soil Class 7 is fill, silt, fine loose sands. It should be used in areas south of Austin and east of IH-35.

Total Line Angle	Anchor Type	Guy Type	35'_CL5	40'_CL5	45'_CL3	50'_CL3	55'_CL3	60'_CL2	65'_CL1
10	2-F1-4	2-E1-2	9.0	9.0	9.0	9.0	9.0	9.0	9.0
10	2-F1-4	2-E1-3	9.0	9.0	9.0	9.0	9.0	9.0	9.0
15	F1-3	E1-2	14.9	17.3	19.7	22.1	24.5	26.9	29.2
15	F1-4	E1-2	10.2	11.8	13.5	15.1	16.7	18.4	20.0
15	F1-4	E1-3	9.0	11.2	9.0	9.0	11.0	9.7	9.7
15	2-F1-3	2-E1-2	9.0	11.2	9.2	10.3	11.5	12.6	13.7
15	2-F1-4	2-E1-2	9.0	11.2	9.0	9.0	11.0	9.7	9.7
15	2-F1-4	2-E1-3	9.0	11.2	9.0	9.0	11.0	9.7	9.2
20	F1-3	E1-2	18.9	21.9	25.0	28.0	31.0	34.1	37.1
20	F1-4	E1-2	13.1	15.2	17.3	19.4	21.5	23.5	25.6
20	F1-4	E1-3	9.0	13.7	9.0	9.8	13.5	11.9	11.7
20	2-F1-3	2-E1-2	9.0	13.7	11.3	12.7	14.1	15.4	16.8
20	2-F1-4	2-E1-2	9.0	13.7	9.0	9.8	13.5	11.9	11.7
20	2-F1-4	2-E1-3	9.0	13.7	9.0	9.8	13.5	11.9	11.2
25	F1-3	E1-2	25.2	29.3	33.3	37.4	41.4	45.5	49.5
25	F1-4	E1-2	16.2	18.8	21.4	24.0	26.6	29.2	31.8
25	F1-4	E1-3	10.1	16.2	9.9	11.6	16.0	14.1	14.7
25	2-F1-3	2-E1-2	10.2	16.2	13.5	15.1	16.7	18.4	20.0
25	2-F1-4	2-E1-2	10.1	16.2	9.9	11.6	16.0	14.1	14.7
25	2-F1-4	2-E1-3	10.1	16.2	9.4	11.6	16.0	14.1	13.3
30	F1-4	E1-2	19.6	22.8	25.9	29.1	32.2	35.4	38.5
30	F1-4	E1-3	11.7	18.6	11.3	13.4	18.4	16.3	16.8
30	2-F1-3	2-E1-2	11.9	18.6	15.7	17.6	19.5	21.4	23.3
30	2-F1-4	2-E1-2	11.7	18.6	11.3	13.4	18.4	16.3	16.8
30	2-F1-4	2-E1-3	11.7	18.6	10.8	13.4	18.4	16.3	15.3
35	F1-4	E1-2	23.5	27.3	31.0	34.8	38.6	42.4	46.2
35	F1-4	E1-3	13.2	21.1	12.7	15.1	20.8	18.4	18.9
35	2-F1-3	2-E1-2	13.7	21.1	18.0	20.2	22.4	24.6	26.8
35	2-F1-4	2-E1-2	13.2	21.1	12.7	15.1	20.8	18.4	18.9
35	2-F1-4	2-E1-3	13.2	21.1	12.2	15.1	20.8	18.4	17.3
40	F1-4	E1-3	14.7	23.5	14.2	16.8	23.2	20.5	21.1
40	2-F1-3	2-E1-2	15.5	23.5	20.5	23.0	25.5	28.0	30.5
40	2-F1-4	2-E1-2	14.7	23.5	14.2	16.8	23.2	20.5	21.1
40	2-F1-4	2-E1-3	14.7	23.5	13.6	16.8	23.2	20.5	19.3
45	F1-4	E1-3	16.1	25.8	15.7	18.5	25.5	22.5	23.3
45	2-F1-3	2-E1-2	17.5	25.8	23.1	25.9	28.7	31.6	34.4
45	2-F1-4	2-E1-2	16.1	25.8	15.7	18.5	25.5	22.5	23.3
45	2-F1-4	2-E1-3	16.1	25.8	14.9	18.5	25.5	22.5	21.2

## PEC Minimum Guy Lead 3-Phase #336 AAC

Assume only PEC conductors on pole. No communication cables.

Soil Class 2 should be used in areas of solid rock.

Soil Class 3 is shale and broken bed rock. It should be used in most other areas.

Soil Class 7 is fill, silt, fine loose sands. It should be used in areas south of Austin and east of IH-35.

Total Line Angle	Anchor Type	Guy Type	35' CL5	40' CL5	45' CL3	50' CL3	55' CL3	60' CL2	65' CL1
50	F1-4	E1-3	17.6	28.1	18.0	20.2	27.7	24.6	26.8
50	2-F1-3	2-E1-2	19.6	28.1	25.9	29.1	32.2	35.4	38.5
50	2-F1-4	2-E1-2	17.6	28.1	18.0	20.2	27.7	24.6	26.8
50	2-F1-4	2-E1-3	17.6	28.1	16.2	20.1	27.7	24.5	23.1
55	F1-4	E1-3	19.0	30.3	19.7	22.1	30.0	26.9	29.2
55	2-F1-3	2-E1-2	22.7	30.3	30.0	33.6	37.3	40.9	44.5
55	2-F1-4	2-E1-2	19.0	30.3	19.7	22.1	30.0	26.9	29.2
55	2-F1-4	2-E1-3	19.0	30.3	17.5	21.7	30.0	26.5	24.9
60	F1-4	E1-3	20.3		21.4	24.0	32.1	29.2	31.8
60	2-F1-3	2-E1-2	25.2		33.3	37.4	41.4	45.5	49.5
60	2-F1-4	2-E1-2	20.3		21.4	24.0	32.1	29.2	31.8
60	2-F1-4	2-E1-3	20.3		18.8	23.3	32.1	28.4	26.7

3-Phase, 336 AAC Primary, 336 AAC Neutral, Light Loading, Grade B, 325' span, soil class 3

Total Line Angle	Anchor Type	Guy Type	35' CL5	40' CL5	45' CL3	50' CL3	55' CL3	60' CL2	65' CL1
5	F1-3	E1-2	9.1	10.6	12.0	13.5	14.9	16.4	17.9
5	F1-4	E1-2	9.0	9.0	9.0	9.6	10.6	11.7	12.7
5	F1-4	E1-3	9.0	9.0	9.0	9.0	9.0	9.0	9.0
5	2-F1-3	2-E1-2	9.0	9.0	9.0	9.0	9.0	9.0	9.0
5	2-F1-4	2-E1-2	9.0	9.0	9.0	9.0	9.0	9.0	9.0
5	2-F1-4	2-E1-3	9.0	9.0	9.0	9.0	9.0	9.0	9.0
10	F1-3	E1-2	13.7	15.9	18.0	20.2	22.4	24.6	26.8
10	F1-4	E1-2	9.6	11.2	12.7	14.3	15.8	17.4	18.9
10	F1-4	E1-3	9.0	10.5	9.0	9.0	10.4	9.1	9.7
10	2-F1-3	2-E1-2	9.0	10.5	9.0	9.6	10.6	11.7	12.7
10	2-F1-4	2-E1-2	9.0	10.5	9.0	9.0	10.4	9.1	9.7
10	2-F1-4	2-E1-3	9.0	10.5	9.0	9.0	10.4	9.1	9.7
15	F1-3	E1-2	19.6	22.8	25.9	29.1	32.2	35.4	38.5
15	F1-4	E1-2	13.1	15.2	17.3	19.4	21.5	23.5	25.6
15	F1-4	E1-3	9.0	13.7	9.0	9.8	13.5	12.0	11.7
15	2-F1-3	2-E1-2	9.0	13.7	11.3	12.7	14.1	15.4	16.8
15	2-F1-4	2-E1-2	9.0	13.7	9.0	9.8	13.5	12.0	11.7
15	2-F1-4	2-E1-3	9.0	13.7	9.0	9.8	13.5	12.0	11.3
20	F1-3	E1-2	27.0	31.4	35.7	40.1	44.4	48.8	53.1
20	F1-4	E1-2	16.8	19.5	22.2	24.9	27.6	30.3	33.0
20	F1-4	E1-3	10.6	16.9	9.9	12.1	16.7	14.8	14.7
20	2-F1-3	2-E1-2	10.7	16.9	14.2	15.9	17.7	19.4	21.1
20	2-F1-4	2-E1-2	10.6	16.9	9.9	12.1	16.7	14.8	14.7

## PEC Minimum Guy Lead 3-Phase #336 AAC

Assume only PEC conductors on pole. No communication cables.

Soil Class 2 should be used in areas of solid rock.

Soil Class 3 is shale and broken bed rock. It should be used in most other areas.

Soil Class 7 is fill, silt, fine loose sands. It should be used in areas south of Austin and east of IH-35.

Total Line Angle	Anchor Type	Guy Type	35' CL5	40' CL5	45' CL3	50' CL3	55' CL3	60' CL2	65' CL1
20	2-F1-4	2-E1-3	10.6	16.9	9.8	12.1	16.7	14.8	13.9
25	F1-4	E1-2	21.9	25.4	28.9	32.4	35.9	39.5	43.0
25	F1-4	E1-3	12.6	20.1	12.0	14.4	19.8	17.5	17.9
25	2-F1-3	2-E1-2	13.1	20.1	17.3	19.4	21.5	23.5	25.6
25	2-F1-4	2-E1-2	12.6	20.1	12.0	14.4	19.8	17.5	17.9
25	2-F1-4	2-E1-3	12.6	20.1	11.6	14.4	19.8	17.5	16.5
30	F1-4	E1-2	28.0	32.5	37.0	41.5	46.0	50.5	55.0
30	F1-4	E1-3	14.5	23.2	14.2	16.6	22.9	20.2	21.1
30	2-F1-3	2-E1-2	15.5	23.2	20.5	23.0	25.5	28.0	30.5
30	2-F1-4	2-E1-2	14.5	23.2	14.2	16.6	22.9	20.2	21.1
30	2-F1-4	2-E1-3	14.5	23.2	13.4	16.6	22.9	20.2	19.1
35	F1-4	E1-3	16.4	26.3	16.5	18.8	26.0	22.9	24.5
35	2-F1-3	2-E1-2	18.2	26.3	24.0	27.0	29.9	32.8	35.7
35	2-F1-4	2-E1-2	16.4	26.3	16.5	18.8	26.0	22.9	24.5
35	2-F1-4	2-E1-3	16.4	26.3	15.2	18.8	26.0	22.9	21.6
40	F1-4	E1-3	18.3	29.3	18.9	21.1	29.0	25.7	28.0
40	2-F1-3	2-E1-2	21.1	29.3	27.9	31.3	34.7	38.1	41.4
40	2-F1-4	2-E1-2	18.3	29.3	18.9	21.1	29.0	25.7	28.0
40	2-F1-4	2-E1-3	18.3	29.3	17.0	21.0	29.0	25.6	24.1
45	F1-4	E1-3	20.2	32.3	21.4	24.0	31.9	29.2	31.8
45	2-F1-3	2-E1-2	25.2	32.3	33.3	37.4	41.4	45.5	49.5
45	2-F1-4	2-E1-2	20.2	32.3	21.4	24.0	31.9	29.2	31.8
45	2-F1-4	2-E1-3	20.2	32.3	18.7	23.2	31.9	28.2	26.5
50	F1-4	E1-3	22.0	22.0	24.0	27.0	34.8	32.8	35.7
50	2-F1-4	2-E1-2	22.0	22.0	24.0	27.0	34.8	32.8	35.7
50	2-F1-4	2-E1-3	22.0	22.0	20.4	25.3	34.8	30.7	28.9
55	F1-4	E1-3	23.8	23.8	26.9	30.2	37.6	36.7	40.0
55	2-F1-4	2-E1-2	23.8	23.8	26.9	30.2	37.6	36.7	40.0
55	2-F1-4	2-E1-3	23.8	23.8	22.0	27.3	37.6	33.2	31.3
60	F1-4	E1-3	25.5	25.5	30.0	33.6	40.4	40.9	44.5
60	2-F1-4	2-E1-2	25.5	25.5	30.0	33.6	40.4	40.9	44.5
60	2-F1-4	2-E1-3	25.5	25.5	23.6	29.3	40.4	35.6	33.6

3-Phase, 336 AAC Primary, 336 AAC Neutral, Light Loading, Grade C - No Crossing, 325' span, soil class 2

5	F2-1	E1-2	9.0	9.0	9.0	9.0	9.0	9.0	9.0
5	F2-1	E1-3	9.0	9.0	9.0	9.0	9.0	9.0	9.0
5	F3-2	E1-2	12.5	14.5	16.5	18.5	20.5	22.5	24.5
5	2-F2-1	2-E1-2	9.0	9.0	9.0	9.0	9.0	9.0	9.0



## PEC Minimum Guy Lead 3-Phase #336 AAC

Assume only PEC conductors on pole. No communication cables.

Soil Class 2 should be used in areas of solid rock.

Soil Class 3 is shale and broken bed rock. It should be used in most other areas.

Soil Class 7 is fill, silt, fine loose sands. It should be used in areas south of Austin and east of IH-35.

Total Line Angle	Anchor Type	Guy Type	35'_CL5	40'_CL5	45'_CL3	50'_CL3	55'_CL3	60'_CL2	65'_CL1
5	2-F2-1	2-E1-3	9.0	9.0	9.0	9.0	9.0	9.0	9.0
5	2-F3-2	2-E1-2	9.0	9.0	9.0	9.0	9.8	10.7	11.7
10	F2-1	E1-2	9.0	9.0	9.0	9.6	10.6	11.7	12.7
10	F2-1	E1-3	9.0	9.0	9.0	9.0	9.0	9.0	9.0
10	F3-2	E1-2	20.3	23.6	26.9	30.2	33.4	36.7	40.0
10	2-F2-1	2-E1-2	9.0	9.0	9.0	9.0	9.0	9.0	9.0
10	2-F2-1	2-E1-3	9.0	9.0	9.0	9.0	9.0	9.0	9.0
10	2-F3-2	2-E1-2	9.0	9.9	11.3	12.7	14.1	15.4	16.8
15	F2-1	E1-2	9.0	9.9	11.3	12.7	14.1	15.4	16.8
15	F2-1	E1-3	9.0	9.3	9.0	9.0	9.2	9.0	9.7
15	2-F2-1	2-E1-2	9.0	9.3	9.0	9.0	9.2	9.0	9.0
15	2-F2-1	2-E1-3	9.0	9.3	9.0	9.0	9.2	9.0	9.0
15	2-F3-2	2-E1-2	11.9	13.8	15.7	17.6	19.5	21.4	23.3
20	F2-1	E1-2	10.7	12.5	14.2	15.9	17.7	19.4	21.1
20	F2-1	E1-3	9.0	11.4	9.0	9.0	11.3	10.7	11.7
20	2-F2-1	2-E1-2	9.0	11.4	9.0	9.0	11.3	9.9	9.7
20	2-F2-1	2-E1-3	9.0	11.4	9.0	9.0	11.3	9.9	9.4
20	2-F3-2	2-E1-2	14.9	17.3	19.7	22.1	24.5	26.9	29.2
25	F2-1	E1-2	13.1	15.2	17.3	19.4	21.5	23.5	25.6
25	F2-1	E1-3	9.0	13.5	9.2	10.3	13.3	12.6	13.7
25	2-F2-1	2-E1-2	9.0	13.5	9.0	9.7	13.3	11.8	11.7
25	2-F2-1	2-E1-3	9.0	13.5	9.0	9.7	13.3	11.8	11.1
25	2-F3-2	2-E1-2	18.9	21.9	25.0	28.0	31.0	34.1	37.1
30	F2-1	E1-2	15.5	18.0	20.5	23.0	25.5	28.0	30.5
30	F2-1	E1-3	9.8	15.6	11.3	12.7	15.4	15.4	16.8
30	2-F2-1	2-E1-2	9.8	15.6	9.2	11.2	15.4	13.6	13.7
30	2-F2-1	2-E1-3	9.8	15.6	9.0	11.2	15.4	13.6	12.8
30	2-F3-2	2-E1-2	23.5	27.3	31.0	34.8	38.6	42.4	46.2
35	F2-1	E1-2	18.2	21.1	24.0	27.0	29.9	32.8	35.7
35	F2-1	E1-3	11.0	17.7	12.7	14.3	17.4	17.4	18.9
35	2-F2-1	2-E1-2	11.0	17.7	10.6	12.7	17.4	15.4	15.8
35	2-F2-1	2-E1-3	11.0	17.7	10.2	12.7	17.4	15.4	14.5
40	F2-1	E1-2	21.1	24.5	27.9	31.3	34.7	38.1	41.4
40	F2-1	E1-3	12.3	19.7	14.2	15.9	19.4	19.4	21.1
40	2-F2-1	2-E1-2	12.3	19.7	12.0	14.1	19.4	17.2	17.9
40	2-F2-1	2-E1-3	12.3	19.7	11.4	14.1	19.4	17.2	16.2
45	F2-1	E1-2	24.3	28.3	32.2	36.1	40.0	43.9	47.8
45	F2-1	E1-3	13.5	21.7	15.7	17.6	21.4	21.4	23.3

## PEC Minimum Guy Lead 3-Phase #336 AAC

Assume only PEC conductors on pole. No communication cables.

Soil Class 2 should be used in areas of solid rock.

Soil Class 3 is shale and broken bed rock. It should be used in most other areas.

Soil Class 7 is fill, silt, fine loose sands. It should be used in areas south of Austin and east of IH-35.

Total Line Angle	Anchor Type	Guy Type	35' CL5	40' CL5	45' CL3	50' CL3	55' CL3	60' CL2	65' CL1
45	2-F2-1	2-E1-2	13.5	21.7	13.5	15.5	21.4	18.9	20.0
45	2-F2-1	2-E1-3	13.5	21.7	12.5	15.5	21.4	18.9	17.8
50	F2-1	E1-3	14.8	23.6	17.3	19.4	23.3	23.5	25.6
50	2-F2-1	2-E1-2	14.8	23.6	14.2	16.9	23.3	20.6	21.1
50	2-F2-1	2-E1-3	14.8	23.6	13.6	16.9	23.3	20.6	19.4
55	F2-1	E1-3	15.9	25.5	18.9	21.1	25.2	25.7	28.0
55	2-F2-1	2-E1-2	15.9	25.5	15.7	18.3	25.2	22.3	23.3
55	2-F2-1	2-E1-3	15.9	25.5	14.7	18.3	25.2	22.3	21.0
60	F2-1	E1-3	17.1	27.4	21.4	24.0	27.0	29.2	31.8
60	2-F2-1	2-E1-2	17.1	27.4	17.3	19.6	27.0	23.9	25.6
60	2-F2-1	2-E1-3	17.1	27.4	15.8	19.6	27.0	23.9	22.5

### 3-Phase, 336 AAC Primary, 336 AAC Neutral, Light Loading, Grade C - Crossing, 325' span, soil class 2

5	F2-1	E1-2	9.0	9.0	9.0	9.0	9.0	9.8	10.7
5	F2-1	E1-3	9.0	9.0	9.0	9.0	9.0	9.0	9.0
5	F3-2	E1-2	16.2	18.8	21.4	24.0	26.6	29.2	31.8
5	2-F2-1	2-E1-2	9.0	9.0	9.0	9.0	9.0	9.0	9.0
5	2-F2-1	2-E1-3	9.0	9.0	9.0	9.0	9.0	9.0	9.0
5	2-F3-2	2-E1-2	9.0	9.0	9.9	11.1	12.3	13.5	14.7
10	F2-1	E1-2	9.0	9.3	10.6	11.9	13.2	14.5	15.8
10	F2-1	E1-3	9.0	9.0	9.0	9.0	9.0	9.0	9.0
10	F3-2	E1-2	28.0	32.5	37.0	41.5	46.0	50.5	55.0
10	2-F2-1	2-E1-2	9.0	9.0	9.0	9.0	9.0	9.0	9.0
10	2-F2-1	2-E1-3	9.0	9.0	9.0	9.0	9.0	9.0	9.0
10	2-F3-2	2-E1-2	10.7	12.5	14.2	15.9	17.7	19.4	21.1
15	F2-1	E1-2	10.2	11.8	13.5	15.1	16.7	18.4	20.0
15	F2-1	E1-3	9.0	11.2	9.0	9.0	11.0	10.7	11.7
15	2-F2-1	2-E1-2	9.0	11.2	9.0	9.0	11.0	9.7	9.7
15	2-F2-1	2-E1-3	9.0	11.2	9.0	9.0	11.0	9.7	9.2
15	2-F3-2	2-E1-2	14.9	17.3	19.7	22.1	24.5	26.9	29.2
20	F2-1	E1-2	13.1	15.2	17.3	19.4	21.5	23.5	25.6
20	F2-1	E1-3	9.0	13.7	9.9	11.1	13.5	13.5	14.7
20	2-F2-1	2-E1-2	9.0	13.7	9.0	9.8	13.5	11.9	11.7
20	2-F2-1	2-E1-3	9.0	13.7	9.0	9.8	13.5	11.9	11.2
20	2-F3-2	2-E1-2	18.9	21.9	25.0	28.0	31.0	34.1	37.1
25	F2-1	E1-2	16.2	18.8	21.4	24.0	26.6	29.2	31.8
25	F2-1	E1-3	10.1	16.2	11.3	12.7	16.0	15.4	16.8
25	2-F2-1	2-E1-2	10.1	16.2	9.9	11.6	16.0	14.1	14.7

## PEC Minimum Guy Lead 3-Phase #336 AAC

Assume only PEC conductors on pole. No communication cables.

Soil Class 2 should be used in areas of solid rock.

Soil Class 3 is shale and broken bed rock. It should be used in most other areas.

Soil Class 7 is fill, silt, fine loose sands. It should be used in areas south of Austin and east of IH-35.

Total Line Angle	Anchor Type	Guy Type	35' CL5	40' CL5	45' CL3	50' CL3	55' CL3	60' CL2	65' CL1
25	2-F2-1	2-E1-3	10.1	16.2	9.4	11.6	16.0	14.1	13.3
25	2-F3-2	2-E1-2	25.2	29.3	33.3	37.4	41.4	45.5	49.5
30	F2-1	E1-2	19.6	22.8	25.9	29.1	32.2	35.4	38.5
30	F2-1	E1-3	11.7	18.6	13.5	15.1	18.4	18.4	20.0
30	2-F2-1	2-E1-2	11.7	18.6	11.3	13.4	18.4	16.3	16.8
30	2-F2-1	2-E1-3	11.7	18.6	10.8	13.4	18.4	16.3	15.3
35	F2-1	E1-2	23.5	27.3	31.0	34.8	38.6	42.4	46.2
35	F2-1	E1-3	13.2	21.1	14.9	16.8	20.8	20.4	22.2
35	2-F2-1	2-E1-2	13.2	21.1	12.7	15.1	20.8	18.4	18.9
35	2-F2-1	2-E1-3	13.2	21.1	12.2	15.1	20.8	18.4	17.3
40	F2-1	E1-3	14.7	23.5	17.3	19.4	23.2	23.5	25.6
40	2-F2-1	2-E1-2	14.7	23.5	14.2	16.8	23.2	20.5	21.1
40	2-F2-1	2-E1-3	14.7	23.5	13.6	16.8	23.2	20.5	19.3
45	F2-1	E1-3	16.1	25.8	19.7	22.1	25.5	26.9	29.2
45	2-F2-1	2-E1-2	16.1	25.8	15.7	18.5	25.5	22.5	23.3
45	2-F2-1	2-E1-3	16.1	25.8	14.9	18.5	25.5	22.5	21.2
50	F2-1	E1-3	17.6	28.1	21.4	24.0	27.7	29.2	31.8
50	2-F2-1	2-E1-2	17.6	28.1	18.0	20.2	27.7	24.6	26.8
50	2-F2-1	2-E1-3	17.6	28.1	16.2	20.1	27.7	24.5	23.1
55	F2-1	E1-3	19.0	30.3	24.0	27.0	30.0	32.8	35.7
55	2-F2-1	2-E1-2	19.0	30.3	19.7	22.1	30.0	26.9	29.2
55	2-F2-1	2-E1-3	19.0	30.3	17.5	21.7	30.0	26.5	24.9
60	F2-1	E1-3	20.3	30.3	26.9	30.2	33.4	36.7	40.0
60	2-F2-1	2-E1-2	20.3	30.3	21.4	24.0	32.1	29.2	31.8
60	2-F2-1	2-E1-3	20.3	30.3	18.8	23.3	32.1	28.4	26.7

3-Phase, 336 AAC Primary, 336 AAC Neutral, Light Loading, Grade B, 325' span, soil class 2

5	F2-1	E1-2	9.0	9.0	9.0	9.6	10.6	11.7	12.7
5	F2-1	E1-3	9.0	9.0	9.0	9.0	9.0	9.0	9.0
5	F3-2	E1-2	21.1	24.5	27.9	31.3	34.7	38.1	41.4
5	2-F2-1	2-E1-2	9.0	9.0	9.0	9.0	9.0	9.0	9.0
5	2-F2-1	2-E1-3	9.0	9.0	9.0	9.0	9.0	9.0	9.0
10	F2-1	E1-2	9.6	11.2	12.7	14.3	15.8	17.4	18.9
10	F2-1	E1-3	9.0	10.5	9.0	9.0	10.4	9.8	10.7
10	2-F2-1	2-E1-2	9.0	10.5	9.0	9.0	10.4	9.1	9.7
10	2-F2-1	2-E1-3	9.0	10.5	9.0	9.0	10.4	9.1	9.0
10	2-F3-2	2-E1-2	13.7	15.9	18.0	20.2	22.4	24.6	26.8

## PEC Minimum Guy Lead 3-Phase #336 AAC

Assume only PEC conductors on pole. No communication cables.

Soil Class 2 should be used in areas of solid rock.

Soil Class 3 is shale and broken bed rock. It should be used in most other areas.

Soil Class 7 is fill, silt, fine loose sands. It should be used in areas south of Austin and east of IH-35.

Total Line Angle	Anchor Type	Guy Type	35' CL5	40' CL5	45' CL3	50' CL3	55' CL3	60' CL2	65' CL1
25	2-F2-1	2-E1-3	10.1	16.2	9.4	11.6	16.0	14.1	13.3
25	2-F3-2	2-E1-2	25.2	29.3	33.3	37.4	41.4	45.5	49.5
30	F2-1	E1-2	19.6	22.8	25.9	29.1	32.2	35.4	38.5
30	F2-1	E1-3	11.7	18.6	13.5	15.1	18.4	18.4	20.0
30	2-F2-1	2-E1-2	11.7	18.6	11.3	13.4	18.4	16.3	16.8
30	2-F2-1	2-E1-3	11.7	18.6	10.8	13.4	18.4	16.3	15.3
35	F2-1	E1-2	23.5	27.3	31.0	34.8	38.6	42.4	46.2
35	F2-1	E1-3	13.2	21.1	14.9	16.8	20.8	20.4	22.2
35	2-F2-1	2-E1-2	13.2	21.1	12.7	15.1	20.8	18.4	18.9
35	2-F2-1	2-E1-3	13.2	21.1	12.2	15.1	20.8	18.4	17.3
40	F2-1	E1-3	14.7	23.5	17.3	19.4	23.2	23.5	25.6
40	2-F2-1	2-E1-2	14.7	23.5	14.2	16.8	23.2	20.5	21.1
40	2-F2-1	2-E1-3	14.7	23.5	13.6	16.8	23.2	20.5	19.3
45	F2-1	E1-3	16.1	25.8	19.7	22.1	25.5	26.9	29.2
45	2-F2-1	2-E1-2	16.1	25.8	15.7	18.5	25.5	22.5	23.3
45	2-F2-1	2-E1-3	16.1	25.8	14.9	18.5	25.5	22.5	21.2
50	F2-1	E1-3	17.6	28.1	21.4	24.0	27.7	29.2	31.8
50	2-F2-1	2-E1-2	17.6	28.1	18.0	20.2	27.7	24.6	26.8
50	2-F2-1	2-E1-3	17.6	28.1	16.2	20.1	27.7	24.5	23.1
55	F2-1	E1-3	19.0	30.3	24.0	27.0	30.0	32.8	35.7
55	2-F2-1	2-E1-2	19.0	30.3	19.7	22.1	30.0	26.9	29.2
55	2-F2-1	2-E1-3	19.0	30.3	17.5	21.7	30.0	26.5	24.9
60	F2-1	E1-3	20.3	26.9	26.9	30.2	33.4	36.7	40.0
60	2-F2-1	2-E1-2	20.3	21.4	21.4	24.0	32.1	29.2	31.8
60	2-F2-1	2-E1-3	20.3	18.8	18.8	23.3	32.1	28.4	26.7
3-Phase, 336 AAC Primary, 336 AAC Neutral, Light Loading, Grade B, 325' span, soil class 2									
5	F2-1	E1-2	9.0	9.0	9.0	9.6	10.6	11.7	12.7
5	F2-1	E1-3	9.0	9.0	9.0	9.0	9.0	9.0	9.0
5	F3-2	E1-2	21.1	24.5	27.9	31.3	34.7	38.1	41.4
5	2-F2-1	2-E1-2	9.0	9.0	9.0	9.0	9.0	9.0	9.0
5	2-F2-1	2-E1-3	9.0	9.0	9.0	9.0	9.0	9.0	9.0
5	2-F3-2	2-E1-2	9.1	10.6	12.0	13.5	14.9	16.4	17.9
10	F2-1	E1-2	9.6	11.2	12.7	14.3	15.8	17.4	18.9
10	F2-1	E1-3	9.0	10.5	9.0	9.0	10.4	9.8	10.7
10	2-F2-1	2-E1-2	9.0	10.5	9.0	9.0	10.4	9.1	9.7
10	2-F2-1	2-E1-3	9.0	10.5	9.0	9.0	10.4	9.1	9.0
10	2-F3-2	2-E1-2	13.7	15.9	18.0	20.2	22.4	24.6	26.8

## PEC Minimum Guy Lead 3-Phase #336 AAC

Assume only PEC conductors on pole. No communication cables.

Soil Class 2 should be used in areas of solid rock.

Soil Class 3 is shale and broken bed rock. It should be used in most other areas.

Soil Class 7 is fill, silt, fine loose sands. It should be used in areas south of Austin and east of IH-35.

Total Line Angle	Anchor Type	Guy Type	35'_ CL5	40'_ CL5	45'_ CL3	50'_ CL3	55'_ CL3	60'_ CL2	65'_ CL1
15	F2-1	E1-2	13.1	15.2	17.3	19.4	21.5	23.5	25.6
15	F2-1	E1-3	9.0	13.7	9.9	11.1	13.5	13.5	14.7
15	2-F2-1	2-E1-2	9.0	13.7	9.0	9.8	13.5	12.0	11.7
15	2-F2-1	2-E1-3	9.0	13.7	9.0	9.8	13.5	12.0	11.3
15	2-F3-2	2-E1-2	19.6	22.8	25.9	29.1	32.2	35.4	38.5
20	F2-1	E1-2	16.8	19.5	22.2	24.9	27.6	30.3	33.0
20	F2-1	E1-3	10.6	16.9	12.0	13.5	16.7	16.4	17.9
20	2-F2-1	2-E1-2	10.6	16.9	9.9	12.1	16.7	14.8	14.7
20	2-F2-1	2-E1-3	10.6	16.9	9.8	12.1	16.7	14.8	13.9
20	2-F3-2	2-E1-2	27.0	31.4	35.7	40.1	44.4	48.8	53.1
25	F2-1	E1-2	21.9	25.4	28.9	32.4	35.9	39.5	43.0
25	F2-1	E1-3	12.6	20.1	14.2	15.9	19.8	19.4	21.1
25	2-F2-1	2-E1-2	12.6	20.1	12.0	14.4	19.8	17.5	17.9
25	2-F2-1	2-E1-3	12.6	20.1	11.6	14.4	19.8	17.5	16.5
30	F2-1	E1-2	28.0	32.5	37.0	41.5	46.0	50.5	55.0
30	F2-1	E1-3	14.5	23.2	17.3	19.4	22.9	23.5	25.6
30	2-F2-1	2-E1-2	14.5	23.2	14.2	16.6	22.9	20.2	21.1
30	2-F2-1	2-E1-3	14.5	23.2	13.4	16.6	22.9	20.2	19.1
35	F2-1	E1-3	16.4	26.3	19.7	22.1	26.0	26.9	29.2
35	2-F2-1	2-E1-2	16.4	26.3	16.5	18.8	26.0	22.9	24.5
35	2-F2-1	2-E1-3	16.4	26.3	15.2	18.8	26.0	22.9	21.6
40	F2-1	E1-3	18.3	29.3	23.1	25.9	29.0	31.6	34.4
40	2-F2-1	2-E1-2	18.3	29.3	18.9	21.1	29.0	25.7	28.0
40	2-F2-1	2-E1-3	18.3	29.3	17.0	21.0	29.0	25.6	24.1
45	F2-1	E1-3	20.2	32.3	25.9	29.1	32.2	35.4	38.5
45	2-F2-1	2-E1-2	20.2	32.3	21.4	24.0	31.9	29.2	31.8
45	2-F2-1	2-E1-3	20.2	32.3	18.7	23.2	31.9	28.2	26.5
50	F2-1	E1-3	22.7	30.0	30.0	33.6	37.3	40.9	44.5
50	2-F2-1	2-E1-2	22.0	24.0	24.0	27.0	34.8	32.8	35.7
50	2-F2-1	2-E1-3	22.0	24.0	20.4	25.3	34.8	30.7	28.9
55	F2-1	E1-3	26.1	34.5	34.5	38.7	42.9	47.1	51.3
55	2-F2-1	2-E1-2	23.8	26.9	26.9	30.2	37.6	36.7	40.0
55	2-F2-1	2-E1-3	23.8	22.0	22.0	27.3	37.6	33.2	31.3
60	2-F2-1	2-E1-2	25.5	30.0	30.0	33.6	40.4	40.9	44.5
60	2-F2-1	2-E1-3	25.5	23.6	23.6	29.3	40.4	35.6	33.6
3-Phase, 336 AAC Primary, 336 AAC Neutral, Light Loading, Grade C - No Crossing, 325' span, soil class 7									
5	F1-3	E1-2	12.5	14.5	16.5	18.5	20.5	22.5	24.5
5	F1-4	E1-2	9.0	9.0	9.0	9.0	9.0	9.0	9.0

## PEC Minimum Guy Lead 3-Phase #336 AAC

Assume only PEC conductors on pole. No communication cables.

Soil Class 2 should be used in areas of solid rock.

Soil Class 3 is shale and broken bed rock. It should be used in most other areas.

Soil Class 7 is fill, silt, fine loose sands. It should be used in areas south of Austin and east of IH-35.

Total Line Angle	Anchor Type	Guy Type	35'_CL5	40'_CL5	45'_CL3	50'_CL3	55'_CL3	60'_CL2	65'_CL1
5	F1-4	E1-3	9.0	9.0	9.0	9.0	9.0	9.0	9.0
5	2-F1-3	2-E1-2	9.0	9.0	9.0	9.0	9.8	10.7	11.7
5	2-F1-4	2-E1-2	9.0	9.0	9.0	9.0	9.0	9.0	9.0
5	2-F1-4	2-E1-3	9.0	9.0	9.0	9.0	9.0	9.0	9.0
10	F1-3	E1-2	20.3	23.6	26.9	30.2	33.4	36.7	40.0
10	F1-4	E1-2	9.0	9.0	9.0	9.6	10.6	11.7	12.7
10	F1-4	E1-3	9.0	9.0	9.0	9.0	9.0	9.8	10.7
10	2-F1-3	2-E1-2	9.0	9.9	11.3	12.7	14.1	15.4	16.8
10	2-F1-4	2-E1-2	9.0	9.0	9.0	9.0	9.0	9.0	9.0
10	2-F1-4	2-E1-3	9.0	9.0	9.0	9.0	9.0	9.0	9.0
15	F1-4	E1-2	9.0	9.9	11.3	12.7	14.1	15.4	16.8
15	F1-4	E1-3	9.0	9.3	9.2	10.3	11.5	12.6	13.7
15	2-F1-3	2-E1-2	11.9	13.8	15.7	17.6	19.5	21.4	23.3
15	2-F1-4	2-E1-2	9.0	9.3	9.0	9.0	9.2	9.0	9.0
15	2-F1-4	2-E1-3	9.0	9.3	9.0	9.0	9.2	9.0	9.0
20	F1-4	E1-2	10.7	12.5	14.2	15.9	17.7	19.4	21.1
20	F1-4	E1-3	9.0	11.4	11.3	12.7	14.1	15.4	16.8
20	2-F1-3	2-E1-2	14.9	17.3	19.7	22.1	24.5	26.9	29.2
20	2-F1-4	2-E1-2	9.0	11.4	9.0	9.0	11.3	9.9	9.7
20	2-F1-4	2-E1-3	9.0	11.4	9.0	9.0	11.3	9.9	9.4
25	F1-4	E1-2	13.1	15.2	17.3	19.4	21.5	23.5	25.6
25	F1-4	E1-3	10.7	13.5	14.2	15.9	17.7	19.4	21.1
25	2-F1-3	2-E1-2	18.9	21.9	25.0	28.0	31.0	34.1	37.1
25	2-F1-4	2-E1-2	9.0	13.5	9.0	9.7	13.3	11.8	11.7
25	2-F1-4	2-E1-3	9.0	13.5	9.0	9.7	13.3	11.8	11.1
30	F1-4	E1-2	15.5	18.0	20.5	23.0	25.5	28.0	30.5
30	F1-4	E1-3	12.5	15.6	16.5	18.5	20.5	22.5	24.5
30	2-F1-3	2-E1-2	23.5	27.3	31.0	34.8	38.6	42.4	46.2
30	2-F1-4	2-E1-2	9.8	15.6	9.2	11.2	15.4	13.6	13.7
30	2-F1-4	2-E1-3	9.8	15.6	9.0	11.2	15.4	13.6	12.8
35	F1-4	E1-2	18.2	21.1	24.0	27.0	29.9	32.8	35.7
35	F1-4	E1-3	14.3	17.7	18.9	21.1	23.4	25.7	28.0
35	2-F1-4	2-E1-2	11.0	17.7	10.6	12.7	17.4	15.4	15.8
35	2-F1-4	2-E1-3	11.0	17.7	10.2	12.7	17.4	15.4	14.5
40	F1-4	E1-2	21.1	24.5	27.9	31.3	34.7	38.1	41.4
40	F1-4	E1-3	16.8	19.7	22.2	24.9	27.6	30.3	33.0
40	2-F1-4	2-E1-2	12.3	19.7	12.0	14.1	19.4	17.2	17.9
40	2-F1-4	2-E1-3	12.3	19.7	11.4	14.1	19.4	17.2	16.2

## PEC Minimum Guy Lead 3-Phase #336 AAC

Assume only PEC conductors on pole. No communication cables.

Soil Class 2 should be used in areas of solid rock.

Soil Class 3 is shale and broken bed rock. It should be used in most other areas.

Soil Class 7 is fill, silt, fine loose sands. It should be used in areas south of Austin and east of IH-35.

Total Line Angle	Anchor Type	Guy Type	35'_ CL5	40'_ CL5	45'_ CL3	50'_ CL3	55'_ CL3	60'_ CL2	65'_ CL1
45	F1-4	E1-2	24.3	28.3	32.2	36.1	40.0	43.9	47.8
45	F1-4	E1-3	18.9	21.9	25.0	28.0	31.0	34.1	37.1
45	2-F1-4	2-E1-2	13.5	21.7	13.5	15.5	21.4	18.9	20.0
45	2-F1-4	2-E1-3	13.5	21.7	12.5	15.5	21.4	18.9	17.8
50	F1-4	E1-3	21.9	25.4	28.9	32.4	35.9	39.5	43.0
50	2-F1-4	2-E1-2	14.8	23.6	14.2	16.9	23.3	20.6	21.1
50	2-F1-4	2-E1-3	14.8	23.6	13.6	16.9	23.3	20.6	19.4
55	F1-4	E1-3	24.3	28.3	32.2	36.1	40.0	43.9	47.8
55	2-F1-4	2-E1-2	15.9	25.5	15.7	18.3	25.2	22.3	23.3
55	2-F1-4	2-E1-3	15.9	25.5	14.7	18.3	25.2	22.3	21.0
60	F1-4	E1-3	28.0	32.5	37.0	41.5	46.0	50.5	55.0
60	2-F1-4	2-E1-2	17.1	27.4	17.3	19.6	27.0	23.9	25.6
60	2-F1-4	2-E1-3	17.1	27.4	15.8	19.6	27.0	23.9	22.5
3-Phase, 336 AAC Primary, 336 AAC Neutral, Light Loading, Grade C - Crossing, 325' span, soil class 7									
5	F1-3	E1-2	16.2	18.8	21.4	24.0	26.6	29.2	31.8
5	F1-4	E1-2	9.0	9.0	9.0	9.0	9.0	9.8	10.7
5	F1-4	E1-3	9.0	9.0	9.0	9.0	9.0	9.0	9.0
5	2-F1-3	2-E1-2	9.0	9.0	9.9	11.1	12.3	13.5	14.7
5	2-F1-4	2-E1-2	9.0	9.0	9.0	9.0	9.0	9.0	9.0
5	2-F1-4	2-E1-3	9.0	9.0	9.0	9.0	9.0	9.0	9.0
10	F1-3	E1-2	28.0	32.5	37.0	41.5	46.0	50.5	55.0
10	F1-4	E1-2	9.0	9.3	10.6	11.9	13.2	14.5	15.8
10	F1-4	E1-3	9.0	9.0	9.0	9.6	10.6	11.7	12.7
10	2-F1-3	2-E1-2	10.7	12.5	14.2	15.9	17.7	19.4	21.1
10	2-F1-4	2-E1-2	9.0	9.0	9.0	9.0	9.0	9.0	9.0
10	2-F1-4	2-E1-3	9.0	9.0	9.0	9.0	9.0	9.0	9.0
15	F1-4	E1-2	10.2	11.8	13.5	15.1	16.7	18.4	20.0
15	F1-4	E1-3	9.0	11.2	11.3	12.7	14.1	15.4	16.8
15	2-F1-3	2-E1-2	14.9	17.3	19.7	22.1	24.5	26.9	29.2
15	2-F1-4	2-E1-2	9.0	11.2	9.0	9.0	11.0	9.7	9.7
15	2-F1-4	2-E1-3	9.0	11.2	9.0	9.0	11.0	9.7	9.2
20	F1-4	E1-2	13.1	15.2	17.3	19.4	21.5	23.5	25.6
20	F1-4	E1-3	10.7	13.7	14.2	15.9	17.7	19.4	21.1
20	2-F1-3	2-E1-2	18.9	21.9	25.0	28.0	31.0	34.1	37.1
20	2-F1-4	2-E1-2	9.0	13.7	9.0	9.8	13.5	11.9	11.7
20	2-F1-4	2-E1-3	9.0	13.7	9.0	9.8	13.5	11.9	11.2
25	F1-4	E1-2	16.2	18.8	21.4	24.0	26.6	29.2	31.8
25	F1-4	E1-3	13.1	16.2	17.3	19.4	21.5	23.5	25.6

## PEC Minimum Guy Lead 3-Phase #336 AAC

Assume only PEC conductors on pole. No communication cables.

Soil Class 2 should be used in areas of solid rock.

Soil Class 3 is shale and broken bed rock. It should be used in most other areas.

Soil Class 7 is fill, silt, fine loose sands. It should be used in areas south of Austin and east of IH-35.

Total Line Angle	Anchor Type	Guy Type	35' CL5	40' CL5	45' CL3	50' CL3	55' CL3	60' CL2	65' CL1
25	2-F1-3	2-E1-2	25.2	29.3	33.3	37.4	41.4	45.5	49.5
25	2-F1-4	2-E1-2	10.1	16.2	9.9	11.6	16.0	14.1	14.7
25	2-F1-4	2-E1-3	10.1	16.2	9.4	11.6	16.0	14.1	13.3
30	F1-4	E1-2	19.6	22.8	25.9	29.1	32.2	35.4	38.5
30	F1-4	E1-3	15.5	18.6	20.5	23.0	25.5	28.0	30.5
30	2-F1-4	2-E1-2	11.7	18.6	11.3	13.4	18.4	16.3	16.8
30	2-F1-4	2-E1-3	11.7	18.6	10.8	13.4	18.4	16.3	15.3
35	F1-4	E1-2	23.5	27.3	31.0	34.8	38.6	42.4	46.2
35	F1-4	E1-3	18.2	21.1	24.0	27.0	29.9	32.8	35.7
35	2-F1-4	2-E1-2	13.2	21.1	12.7	15.1	20.8	18.4	18.9
35	2-F1-4	2-E1-3	13.2	21.1	12.2	15.1	20.8	18.4	17.3
40	F1-4	E1-3	21.1	24.5	27.9	31.3	34.7	38.1	41.4
40	2-F1-4	2-E1-2	14.7	23.5	14.2	16.8	23.2	20.5	21.1
40	2-F1-4	2-E1-3	14.7	23.5	13.6	16.8	23.2	20.5	19.3
45	F1-4	E1-3	25.2	29.3	33.3	37.4	41.4	45.5	49.5
45	2-F1-4	2-E1-2	16.1	25.8	15.7	18.5	25.5	22.5	23.3
45	2-F1-4	2-E1-3	16.1	25.8	14.9	18.5	25.5	22.5	21.2
50	2-F1-4	2-E1-2	17.6	28.1	18.0	20.2	27.7	24.6	26.8
50	2-F1-4	2-E1-3	17.6	28.1	16.2	20.1	27.7	24.5	23.1
55	2-F1-4	2-E1-2	19.0	30.3	19.7	22.1	30.0	26.9	29.2
55	2-F1-4	2-E1-3	19.0	30.3	17.5	21.7	30.0	26.5	24.9
60	2-F1-4	2-E1-2	20.3	22.8	21.4	24.0	32.1	29.2	31.8

3-Phase, 336 AAC Primary, 336 AAC Neutral, Light Loading, Grade B, 325' span, soil class 7

5	F1-3	E1-2	21.1	24.5	27.9	31.3	34.7	38.1	41.4
5	F1-4	E1-2	9.0	9.0	9.0	9.6	10.6	11.7	12.7
5	F1-4	E1-3	9.0	9.0	9.0	9.0	9.0	9.8	10.7
5	2-F1-3	2-E1-2	9.1	10.6	12.0	13.5	14.9	16.4	17.9
5	2-F1-4	2-E1-2	9.0	9.0	9.0	9.0	9.0	9.0	9.0
5	2-F1-4	2-E1-3	9.0	9.0	9.0	9.0	9.0	9.0	9.0
10	F1-4	E1-2	9.6	11.2	12.7	14.3	15.8	17.4	18.9
10	F1-4	E1-3	9.0	10.5	10.6	11.9	13.2	14.5	15.8
10	2-F1-3	2-E1-2	13.7	15.9	18.0	20.2	22.4	24.6	26.8
10	2-F1-4	2-E1-2	9.0	10.5	9.0	9.0	10.4	9.1	9.7
10	2-F1-4	2-E1-3	9.0	10.5	9.0	9.0	10.4	9.1	9.0
15	F1-4	E1-2	13.1	15.2	17.3	19.4	21.5	23.5	25.6
15	F1-4	E1-3	10.7	13.7	14.2	15.9	17.7	19.4	21.1
15	2-F1-3	2-E1-2	19.6	22.8	25.9	29.1	32.2	35.4	38.5



## PEC Minimum Guy Lead 3-Phase #336 AAC

Assume only PEC conductors on pole. No communication cables.  
 Soil Class 2 should be used in areas of solid rock.  
 Soil Class 3 is shale and broken bed rock. It should be used in most other areas.  
 Soil Class 7 is fill, silt, fine loose sands. It should be used in areas south of Austin and east of IH-35.

Total Line Angle	Anchor Type	Guy Type	35' CL5	40' CL5	45' CL3	50' CL3	55' CL3	60' CL2	65' CL1
15	2-F1-4	2-E1-2	9.0	13.7	9.0	9.8	13.5	12.0	11.7
15	2-F1-4	2-E1-3	9.0	13.7	9.0	9.8	13.5	12.0	11.3
20	F1-4	E1-2	16.8	19.5	22.2	24.9	27.6	30.3	33.0
20	F1-4	E1-3	13.7	16.9	18.0	20.2	22.4	24.6	26.8
20	2-F1-3	2-E1-2	27.0	31.4	35.7	40.1	44.4	48.8	53.1
20	2-F1-4	2-E1-2	10.6	16.9	9.9	12.1	16.7	14.8	14.7
20	2-F1-4	2-E1-3	10.6	16.9	9.8	12.1	16.7	14.8	13.9
25	F1-4	E1-2	21.9	25.4	28.9	32.4	35.9	39.5	43.0
25	F1-4	E1-3	16.8	20.1	22.2	24.9	27.6	30.3	33.0
25	2-F1-4	2-E1-2	12.6	20.1	12.0	14.4	19.8	17.5	17.9
25	2-F1-4	2-E1-3	12.6	20.1	11.6	14.4	19.8	17.5	16.5
30	F1-4	E1-2	28.0	32.5	37.0	41.5	46.0	50.5	55.0
30	F1-4	E1-3	21.1	24.5	27.9	31.3	34.7	38.1	41.4
30	2-F1-4	2-E1-2	14.5	23.2	14.2	16.6	22.9	20.2	21.1
30	2-F1-4	2-E1-3	14.5	23.2	13.4	16.6	22.9	20.2	19.1
35	F1-4	E1-3	26.1	30.3	34.5	38.7	42.9	47.1	51.3
35	2-F1-4	2-E1-2	16.4	26.3	16.5	18.8	26.0	22.9	24.5
35	2-F1-4	2-E1-3	16.4	26.3	15.2	18.8	26.0	22.9	21.6
40	2-F1-4	2-E1-2	18.3	29.3	18.9	21.1	29.0	25.7	28.0
40	2-F1-4	2-E1-3	18.3	29.3	17.0	21.0	29.0	25.6	24.1
45	2-F1-4	2-E1-2	20.2	32.3	21.4	24.0	31.9	29.2	31.8
45	2-F1-4	2-E1-3	20.2	32.3	18.7	23.2	31.9	28.2	26.5
50	2-F1-4	2-E1-2	22.0		24.0	27.0	34.8	32.8	35.7
50	2-F1-4	2-E1-3	22.0		20.4	25.3	34.8	30.7	28.9
55	2-F1-4	2-E1-2	23.8		26.9	30.2	37.6	36.7	40.0
55	2-F1-4	2-E1-3	23.8		22.0	27.3	37.6	33.2	31.8
60	2-F1-4	2-E1-2	25.5		30.0	33.6	40.4	40.9	44.5
60	2-F1-4	2-E1-3	25.5		23.6	29.3	40.4	35.6	34.4

## PEC Minimum Guy Lead 1-Phase #795 AAC

Assume only PEC conductors on pole. No communication cables.

Soil Class 2 should be used in areas of solid rock.

Soil Class 3 is shale and broken bed rock. It should be used in most other areas.

Soil Class 7 is fill, silt, fine loose sands. It should be used in areas south of Austin and east of IH-35.

Total Line Angle	Anchor Type	Guy Type	35'_ CL5	40'_ CL5	45'_ CL3	50'_ CL3	55'_ CL3	60'_ CL2	65'_ CL1
3-Phase, 795 AAC Primary, 336 AAC Neutral, Light Loading, Grade C - No Crossing, 250' span, soil class 3									
5	F1-3	E1-2	9.0	9.3	10.6	11.9	13.2	14.5	15.8
5	F1-4	E1-2	9.0	9.0	9.0	9.0	9.8	10.7	11.7
5	F1-4	E1-3	9.0	9.0	9.0	9.0	9.0	9.0	9.0
5	2-F1-3	2-E1-2	9.0	9.0	9.0	9.0	9.0	9.0	9.0
5	2-F1-4	2-E1-2	9.0	9.0	9.0	9.0	9.0	9.0	9.0
5	2-F1-4	2-E1-3	9.0	9.0	9.0	9.0	9.0	9.0	9.0
10	F1-3	E1-2	13.1	15.2	17.3	19.4	21.5	23.5	25.6
10	F1-4	E1-2	9.1	10.6	12.0	13.5	14.9	16.4	17.9
10	F1-4	E1-3	9.0	10.2	9.0	9.0	10.0	9.0	9.0
10	2-F1-3	2-E1-2	9.0	10.2	9.0	9.0	10.0	10.7	11.7
10	2-F1-4	2-E1-2	9.0	10.2	9.0	9.0	10.0	9.0	9.0
10	2-F1-4	2-E1-3	9.0	10.2	9.0	9.0	10.0	9.0	9.0
15	F1-3	E1-2	18.9	21.9	25.0	28.0	31.0	34.1	37.1
15	F1-4	E1-2	13.1	15.2	17.3	19.4	21.5	23.5	25.6
15	F1-4	E1-3	9.0	13.7	9.0	9.8	13.5	11.9	11.7
15	2-F1-3	2-E1-2	9.0	13.7	11.3	12.7	14.1	15.4	16.8
15	2-F1-4	2-E1-2	9.0	13.7	9.0	9.8	13.5	11.9	11.7
15	2-F1-4	2-E1-3	9.0	13.7	9.0	9.8	13.5	11.9	11.2
20	F1-4	E1-3	10.8	17.3	9.9	12.3	17.0	15.0	14.7
20	2-F1-3	2-E1-2	10.8	17.3	14.2	15.9	17.7	19.4	21.1
20	2-F1-4	2-E1-2	10.8	17.3	9.9	12.3	17.0	15.0	14.7
20	2-F1-4	2-E1-3	10.8	17.3	9.9	12.3	17.0	15.0	14.1
25	F1-4	E1-2	22.7	26.3	30.0	33.6	37.3	40.9	44.5
25	F1-4	E1-3	12.9	20.7	12.7	14.8	20.4	18.0	18.9
25	2-F1-3	2-E1-2	13.1	20.7	17.3	19.4	21.5	23.5	25.6
25	2-F1-4	2-E1-2	12.9	20.7	12.7	14.8	20.4	18.0	18.9
25	2-F1-4	2-E1-3	12.9	20.7	11.9	14.8	20.4	18.0	16.9
30	F1-4	E1-3	15.1	24.2	14.9	17.3	23.8	21.0	22.2
30	2-F1-4	2-E1-2	15.1	24.2	14.9	17.3	23.8	21.0	22.2
30	2-F1-4	2-E1-3	15.1	24.2	13.9	17.3	23.8	21.0	19.8
35	F1-4	E1-3	17.2	27.6	17.3	19.7	27.2	24.0	25.6
35	2-F1-3	2-E1-2	18.9	27.6	25.0	28.0	31.0	34.1	37.1
35	2-F1-4	2-E1-2	17.2	27.6	17.3	19.7	27.2	24.0	25.6
40	F1-4	E1-3	19.3	30.9	19.7	22.1	30.5	26.9	29.2
40	2-F1-3	2-E1-2	22.7	30.9	30.0	33.6	37.3	40.9	44.5
40	2-F1-4	2-E1-3	19.3	30.9	17.8	22.1	30.5	26.9	25.3
45	F1-4	E1-3	21.3		22.2	24.9	33.7	30.3	33.0

## PEC Minimum Guy Lead 1-Phase #795 AAC

Assume only PEC conductors on pole. No communication cables.

Soil Class 2 should be used in areas of solid rock.

Soil Class 3 is shale and broken bed rock. It should be used in most other areas.

Soil Class 7 is fill, silt, fine loose sands. It should be used in areas south of Austin and east of IH-35.

Total Line Angle	Anchor Type	Guy Type	35' CL5	40' CL5	45' CL3	50' CL3	55' CL3	60' CL2	65' CL1
45	2-F1-3	2-E1-2	27.0		35.7	40.1	44.4	48.8	53.1
45	2-F1-4	2-E1-2	21.3		22.2	24.9	33.7	30.3	33.0
45	2-F1-4	2-E1-3	21.3		19.7	24.4	33.7	29.7	28.0
50	2-F1-4	2-E1-2	23.3		25.9	29.1	36.9	35.4	38.5
50	2-F1-4	2-E1-3	23.3		21.5	26.7	36.9	32.5	30.6
55	F1-4	E1-3	25.3		28.9	32.4	40.0	39.5	43.0
55	2-F1-4	2-E1-2	25.3		28.9	32.4	40.0	39.5	43.0
55	2-F1-4	2-E1-3	25.3		23.4	29.0	40.0	35.3	33.2
60	F1-4	E1-3	27.2		32.2	36.1	43.0	43.9	47.8
60	2-F1-4	2-E1-2	27.2		32.2	36.1	43.0	43.9	47.8
60	2-F1-4	2-E1-3	27.2		25.1	31.2	43.0	37.9	35.7

### 3-Phase, 795 AAC Primary, 336 AAC Neutral, Light Loading, Grade C - Crossing, 250' span, soil class 3

5	F1-3	E1-2	9.6	11.2	12.7	14.3	15.8	17.4	18.9
5	F1-4	E1-2	9.0	9.0	9.2	10.3	11.5	12.6	13.7
5	F1-4	E1-3	9.0	9.0	9.0	9.0	9.0	9.0	9.0
5	2-F1-3	2-E1-2	9.0	9.0	9.0	9.0	9.0	9.0	9.7
5	2-F1-4	2-E1-2	9.0	9.0	9.0	9.0	9.0	9.0	9.0
5	2-F1-4	2-E1-3	9.0	9.0	9.0	9.0	9.0	9.0	9.0
10	F1-3	E1-2	16.2	18.8	21.4	24.0	26.6	29.2	31.8
10	F1-4	E1-2	11.3	13.1	14.9	16.8	18.6	20.4	22.2
10	F1-4	E1-3	9.0	12.3	9.0	9.0	12.1	10.7	10.7
10	2-F1-3	2-E1-2	9.0	12.3	9.9	11.1	12.3	13.5	14.7
10	2-F1-4	2-E1-2	9.0	12.3	9.0	9.0	12.1	10.7	10.7
10	2-F1-4	2-E1-3	9.0	12.3	9.0	9.0	12.1	10.7	10.0
15	F1-3	E1-2	25.2	29.3	33.3	37.4	41.4	45.5	49.5
15	F1-4	E1-2	16.2	18.8	21.4	24.0	26.6	29.2	31.8
15	F1-4	E1-3	10.3	16.5	9.9	11.7	16.2	14.3	14.7
15	2-F1-3	2-E1-2	10.3	16.5	13.5	15.1	16.7	18.4	20.0
15	2-F1-4	2-E1-2	10.3	16.5	9.9	11.7	16.2	14.3	14.7
15	2-F1-4	2-E1-3	10.3	16.5	9.5	11.7	16.2	14.3	13.4
20	F1-4	E1-2	22.7	26.3	30.0	33.6	37.3	40.9	44.5
20	F1-4	E1-3	12.9	20.6	12.0	14.7	20.3	17.9	17.9
20	2-F1-3	2-E1-2	13.1	20.6	17.3	19.4	21.5	23.5	25.6
20	2-F1-4	2-E1-2	12.9	20.6	12.0	14.7	20.3	17.9	17.9
20	2-F1-4	2-E1-3	12.9	20.6	11.9	14.7	20.3	17.9	16.8
25	F1-4	E1-3	15.4	24.7	14.9	17.7	24.3	21.5	22.2
25	2-F1-3	2-E1-2	16.2	24.7	21.4	24.0	26.6	29.2	31.8

## PEC Minimum Guy Lead 1-Phase #795 AAC

Assume only PEC conductors on pole. No communication cables.

Soil Class 2 should be used in areas of solid rock.

Soil Class 3 is shale and broken bed rock. It should be used in most other areas.

Soil Class 7 is fill, silt, fine loose sands. It should be used in areas south of Austin and east of IH-35.

Total Line Angle	Anchor Type	Guy Type	35'_ CL5	40'_ CL5	45'_ CL3	50'_ CL3	55'_ CL3	60'_ CL2	65'_ CL1
25	2-F1-4	2-E1-2	15.4	24.7	14.9	17.7	24.3	21.5	22.2
25	2-F1-4	2-E1-3	15.4	24.7	14.2	17.7	24.3	21.5	20.2
30	F1-4	E1-3	18.0	28.8	18.0	20.6	28.4	25.0	26.8
30	2-F1-3	2-E1-2	20.3	28.8	26.9	30.2	33.4	36.7	40.0
30	2-F1-4	2-E1-2	18.0	28.8	18.0	20.6	28.4	25.0	26.8
30	2-F1-4	2-E1-3	18.0	28.8	16.6	20.6	28.4	25.0	23.5
35	F1-4	E1-3	20.5		21.4	24.0	32.3	29.2	31.8
35	2-F1-3	2-E1-2	25.2		33.3	37.4	41.4	45.5	49.5
35	2-F1-4	2-E1-2	20.5		21.4	24.0	32.3	29.2	31.8
35	2-F1-4	2-E1-3	20.5		18.9	23.4	32.3	28.5	26.8
40	F1-4	E1-3	22.9		25.0	28.0	36.2	34.1	37.1
40	2-F1-4	2-E1-2	22.9		25.0	28.0	36.2	34.1	37.1
40	2-F1-4	2-E1-3	22.9		21.2	26.2	36.2	31.9	30.1
45	F1-4	E1-3	25.4		28.9	32.4	40.0	39.5	43.0
45	2-F1-4	2-E1-2	25.4		28.9	32.4	40.0	39.5	43.0
45	2-F1-4	2-E1-3	25.4		23.4	29.0	40.0	35.3	33.2
50	F1-4	E1-3	27.7		33.3	37.4	43.8	45.5	49.5
50	2-F1-4	2-E1-2	27.7		33.3	37.4	43.8	45.5	49.5
50	2-F1-4	2-E1-3	27.7		25.6	31.7	43.8	38.6	36.3
55	2-F1-4	2-E1-3			27.7	34.4		41.9	39.4
60	2-F1-4	2-E1-3			29.8	37.0		45.0	42.4

3-Phase, 795 AAC Primary, 336 AAC Neutral, Light Loading, Grade B, 250' span, soil class 3									
	Anchor Type	Guy Type	35'_ CL5	40'_ CL5	45'_ CL3	50'_ CL3	55'_ CL3	60'_ CL2	65'_ CL1
5	F1-3	E1-2	12.5	14.5	16.5	18.5	20.5	22.5	24.5
5	F1-4	E1-2	9.0	9.9	11.3	12.7	14.1	15.4	16.8
5	F1-4	E1-3	9.0	9.7	9.0	9.0	9.6	9.0	9.0
5	2-F1-3	2-E1-2	9.0	9.7	9.0	9.0	9.8	10.7	11.7
5	2-F1-4	2-E1-2	9.0	9.7	9.0	9.0	9.6	9.0	9.0
5	2-F1-4	2-E1-3	9.0	9.7	9.0	9.0	9.6	9.0	9.0
10	F1-3	E1-2	21.9	25.4	28.9	32.4	35.9	39.5	43.0
10	F1-4	E1-2	14.3	16.6	18.9	21.1	23.4	25.7	28.0
10	F1-4	E1-3	9.4	15.1	9.2	10.7	14.8	13.1	13.7
10	2-F1-3	2-E1-2	9.4	15.1	12.0	13.5	14.9	16.4	17.9
10	2-F1-4	2-E1-2	9.4	15.1	9.2	10.7	14.8	13.1	13.7
10	2-F1-4	2-E1-3	9.4	15.1	9.0	10.7	14.8	13.1	12.3
15	F1-4	E1-2	21.9	25.4	28.9	32.4	35.9	39.5	43.0
15	F1-4	E1-3	12.7	20.4	12.0	14.5	20.1	17.7	17.9
15	2-F1-3	2-E1-2	13.1	20.4	17.3	19.4	21.5	23.5	25.6

## PEC Minimum Guy Lead 1-Phase #795 AAC

Assume only PEC conductors on pole. No communication cables.

Soil Class 2 should be used in areas of solid rock.

Soil Class 3 is shale and broken bed rock. It should be used in most other areas.

Soil Class 7 is fill, silt, fine loose sands. It should be used in areas south of Austin and east of IH-35.

Total Line Angle	Anchor Type	Guy Type	35'_CL5	40'_CL5	45'_CL3	50'_CL3	55'_CL3	60'_CL2	65'_CL1
15	2-F1-4	2-E1-2	12.7	20.4	12.0	14.5	20.1	17.7	17.9
15	2-F1-4	2-E1-3	12.7	20.4	11.7	14.5	20.1	17.7	16.7
20	F1-4	E1-3	16.0	25.7	15.7	18.3	25.3	22.3	23.3
20	2-F1-3	2-E1-2	17.5	25.7	23.1	25.9	28.7	31.6	34.4
20	2-F1-4	2-E1-2	16.0	25.7	15.7	18.3	25.3	22.3	23.3
20	2-F1-4	2-E1-3	16.0	25.7	14.8	18.3	25.3	22.3	21.0
25	F1-4	E1-3	19.3	30.9	19.7	22.1	30.4	26.9	29.2
25	2-F1-3	2-E1-2	22.7	30.9	30.0	33.6	37.3	40.9	44.5
25	2-F1-4	2-E1-2	19.3	30.9	19.7	22.1	30.4	26.9	29.2
25	2-F1-4	2-E1-3	19.3	30.9	17.8	22.0	30.4	26.8	25.2
30	F1-4	E1-3	22.5		24.0	27.0	35.5	32.8	35.7
30	2-F1-4	2-E1-2	22.5		24.0	27.0	35.5	32.8	35.7
30	2-F1-4	2-E1-3	22.5		20.7	25.7	35.5	31.3	29.5
35	F1-4	E1-3	25.7		30.0	33.6	40.5	40.9	44.5
35	2-F1-4	2-E1-2	25.7		30.0	33.6	40.5	40.9	44.5
35	2-F1-4	2-E1-3	25.7		23.7	29.4	40.5	35.8	33.7
40	F1-4	E1-3			35.7	40.1	45.5	48.8	53.1
40	2-F1-4	2-E1-2			35.7	40.1	45.5	48.8	53.1
40	2-F1-4	2-E1-3			26.6	33.0	45.5	40.1	37.8
45	2-F1-4	2-E1-3			29.4	36.5		44.4	41.8
50	2-F1-4	2-E1-3			32.2	40.0		48.6	45.8
55	2-F1-4	2-E1-3			34.9				49.6
60	2-F1-4	2-E1-3							53.4

3-Phase, 795 AAC Primary, 336 AAC Neutral, Light Loading, Grade C - No Crossing, 250' span, soil class 2

5	F2-1	E1-2	9.0	9.0	9.0	9.0	9.8	10.7	11.7
5	F2-1	E1-3	9.0	9.0	9.0	9.0	9.0	9.0	9.0
5	F3-2	E1-2	18.2	21.1	24.0	27.0	29.9	32.8	35.7
5	2-F2-1	2-E1-2	9.0	9.0	9.0	9.0	9.0	9.0	9.0
5	2-F2-1	2-E1-3	9.0	9.0	9.0	9.0	9.0	9.0	9.0
5	2-F3-2	2-E1-2	9.0	9.3	10.6	11.9	13.2	14.5	15.8
10	F2-1	E1-2	9.1	10.6	12.0	13.5	14.9	16.4	17.9
10	F2-1	E1-3	9.0	10.2	9.0	9.0	10.0	9.8	10.7
10	2-F2-1	2-E1-2	9.0	10.2	9.0	9.0	10.0	9.0	9.0
10	2-F2-1	2-E1-3	9.0	10.2	9.0	9.0	10.0	9.0	9.0
10	2-F3-2	2-E1-2	13.1	15.2	17.3	19.4	21.5	23.5	25.6
15	F2-1	E1-2	13.1	15.2	17.3	19.4	21.5	23.5	25.6
15	F2-1	E1-3	9.0	13.7	9.2	10.3	13.5	12.6	13.7

## PEC Minimum Guy Lead 1-Phase #795 AAC

Assume only PEC conductors on pole. No communication cables.

Soil Class 2 should be used in areas of solid rock.

Soil Class 3 is shale and broken bed rock. It should be used in most other areas.

Soil Class 7 is fill, silt, fine loose sands. It should be used in areas south of Austin and east of IH-35.

Total Line Angle	Anchor Type	Guy Type	35' CL5	40' CL5	45' CL3	50' CL3	55' CL3	60' CL2	65' CL1
15	2-F2-1	2-E1-2	9.0	13.7	9.0	9.8	13.5	11.9	11.7
15	2-F2-1	2-E1-3	9.0	13.7	9.0	9.8	13.5	11.9	11.2
15	2-F3-2	2-E1-2	18.9	21.9	25.0	28.0	31.0	34.1	37.1
20	F2-1	E1-2	17.5	20.3	23.1	25.9	28.7	31.6	34.4
20	F2-1	E1-3	10.8	17.3	12.0	13.5	17.0	16.4	17.9
20	2-F2-1	2-E1-2	10.8	17.3	9.9	12.3	17.0	15.0	14.7
20	2-F2-1	2-E1-3	10.8	17.3	9.9	12.3	17.0	15.0	14.1
20	2-F3-2	2-E1-2	28.0	32.5	37.0	41.5	46.0	50.5	55.0
25	F2-1	E1-2	22.7	26.3	30.0	33.6	37.3	40.9	44.5
25	F2-1	E1-3	12.9	20.7	14.9	16.8	20.4	20.4	22.2
25	2-F2-1	2-E1-2	12.9	20.7	12.7	14.8	20.4	18.0	18.9
25	2-F2-1	2-E1-3	12.9	20.7	11.9	14.8	20.4	18.0	16.9
30	F2-1	E1-3	15.1	24.2	18.0	20.2	23.8	24.6	26.8
30	2-F2-1	2-E1-2	15.1	24.2	14.9	17.3	23.8	21.0	22.2
30	2-F2-1	2-E1-3	15.1	24.2	13.9	17.3	23.8	21.0	19.8
35	F2-1	E1-3	17.2	27.6	21.4	24.0	27.2	29.2	31.8
35	2-F2-1	2-E1-2	17.2	27.6	17.3	19.7	27.2	24.0	25.6
35	2-F2-1	2-E1-3	17.2	27.6	15.9	19.7	27.2	24.0	22.5
40	F2-1	E1-3	19.3	30.9	24.0	27.0	30.5	32.8	35.7
40	2-F2-1	2-E1-2	19.3	30.9	19.7	22.1	30.5	26.9	29.2
40	2-F2-1	2-E1-3	19.3	30.9	17.8	22.1	30.5	26.9	25.3
45	F2-1	E1-3	21.3	21.3	27.9	31.3	34.7	38.1	41.4
45	2-F2-1	2-E1-2	21.3	21.3	22.2	24.9	33.7	30.3	33.0
45	2-F2-1	2-E1-3	21.3	21.3	19.7	24.4	33.7	29.7	28.0
50	F2-1	E1-3	25.2	23.3	33.3	37.4	41.4	45.5	49.5
50	2-F2-1	2-E1-2	23.3	23.3	25.9	29.1	36.9	35.4	38.5
50	2-F2-1	2-E1-3	23.3	23.3	21.5	26.7	36.9	32.5	30.6
55	2-F2-1	2-E1-2	25.3	25.3	28.9	32.4	40.0	39.5	43.0
55	2-F2-1	2-E1-3	25.3	25.3	23.4	29.0	40.0	35.3	33.2
60	2-F2-1	2-E1-2	27.2	27.2	32.2	36.1	43.0	43.9	47.8
60	2-F2-1	2-E1-3	27.2	27.2	25.1	31.2	43.0	37.9	35.7
3-Phase, 795 AAC Primary, 336 AAC Neutral, Light Loading, Grade C - Crossing, 250' span, soil class 2									
5	F2-1	E1-2	9.0	9.0	9.2	10.3	11.5	12.6	13.7
5	F2-1	E1-3	9.0	9.0	9.0	9.0	9.0	9.0	9.0
5	F3-2	E1-2	24.3	28.3	32.2	36.1	40.0	43.9	47.8
5	2-F2-1	2-E1-2	9.0	9.0	9.0	9.0	9.0	9.0	9.0
5	2-F2-1	2-E1-3	9.0	9.0	9.0	9.0	9.0	9.0	9.0

## PEC Minimum Guy Lead 1-Phase #795 AAC

Assume only PEC conductors on pole. No communication cables.

Soil Class 2 should be used in areas of solid rock.

Soil Class 3 is shale and broken bed rock. It should be used in most other areas.

Soil Class 7 is fill, silt, fine loose sands. It should be used in areas south of Austin and east of IH-35.

Total Line Angle	Anchor Type	Guy Type	35'_CL5	40'_CL5	45'_CL3	50'_CL3	55'_CL3	60'_CL2	65'_CL1
5	2-F3-2	2-E1-2	9.6	11.2	12.7	14.3	15.8	17.4	18.9
10	F2-1	E1-2	11.3	13.1	14.9	16.8	18.6	20.4	22.2
10	F2-1	E1-3	9.0	12.3	9.0	9.6	12.1	11.7	12.7
10	2-F2-1	2-E1-2	9.0	12.3	9.0	9.0	12.1	10.7	10.7
10	2-F2-1	2-E1-3	9.0	12.3	9.0	9.0	12.1	10.7	10.0
10	2-F3-2	2-E1-2	16.2	18.8	21.4	24.0	26.6	29.2	31.8
15	F2-1	E1-2	16.2	18.8	21.4	24.0	26.6	29.2	31.8
15	F2-1	E1-3	10.3	16.5	11.3	12.7	16.2	15.4	16.8
15	2-F2-1	2-E1-2	10.3	16.5	9.9	11.7	16.2	14.3	14.7
15	2-F2-1	2-E1-3	10.3	16.5	9.5	11.7	16.2	14.3	13.4
15	2-F2-1	2-E1-3	10.3	16.5	9.5	11.7	16.2	14.3	13.4
15	2-F3-2	2-E1-2	25.2	29.3	33.3	37.4	41.4	45.5	49.5
20	F2-1	E1-2	22.7	26.3	30.0	33.6	37.3	40.9	44.5
20	F2-1	E1-3	12.9	20.6	14.9	16.8	20.3	20.4	22.2
20	2-F2-1	2-E1-2	12.9	20.6	12.0	14.7	20.3	17.9	17.9
20	2-F2-1	2-E1-3	12.9	20.6	11.9	14.7	20.3	17.9	16.8
25	F2-1	E1-3	15.4	24.7	18.0	20.2	24.3	24.6	26.8
25	2-F2-1	2-E1-2	15.4	24.7	14.9	17.7	24.3	21.5	22.2
25	2-F2-1	2-E1-3	15.4	24.7	14.2	17.7	24.3	21.5	20.2
30	F2-1	E1-3	18.0	28.8	22.2	24.9	28.4	30.3	33.0
30	2-F2-1	2-E1-2	18.0	28.8	18.0	20.6	28.4	25.0	26.8
30	2-F2-1	2-E1-3	18.0	28.8	16.6	20.6	28.4	25.0	23.5
35	F2-1	E1-3	20.5	20.5	26.9	30.2	33.4	36.7	40.0
35	2-F2-1	2-E1-2	20.5	20.5	21.4	24.0	32.3	29.2	31.8
35	2-F2-1	2-E1-3	20.5	20.5	18.9	23.4	32.3	28.5	26.8
40	F2-1	E1-3	24.3	24.3	32.2	36.1	40.0	43.9	47.8
40	2-F2-1	2-E1-2	22.9	22.9	25.0	28.0	36.2	34.1	37.1
40	2-F2-1	2-E1-3	22.9	22.9	21.2	26.2	36.2	31.9	30.1
45	2-F2-1	2-E1-2	25.4	25.4	28.9	32.4	40.0	39.5	43.0
45	2-F2-1	2-E1-3	25.4	25.4	23.4	29.0	40.0	35.3	33.2
50	2-F2-1	2-E1-2	27.7	27.7	33.3	37.4	43.8	45.5	49.5
50	2-F2-1	2-E1-3	27.7	27.7	25.6	31.7	43.8	38.6	36.3
55	2-F2-1	2-E1-3	27.7	27.7	27.7	34.4	41.9	41.9	39.4
60	2-F2-1	2-E1-3	29.8	29.8	29.8	37.0	45.0	45.0	42.4
3-Phase, 795 AAC Primary, 336 AAC Neutral, Light Loading, Grade B, 250' span, soil class 2									
5	F2-1	E1-2	9.0	9.9	11.3	12.7	14.1	15.4	16.8
5	F2-1	E1-3	9.0	9.7	9.0	9.0	9.6	9.0	9.7
5	2-F2-1	2-E1-2	9.0	9.7	9.0	9.0	9.6	9.0	9.0

## PEC Minimum Guy Lead 1-Phase #795 AAC

Assume only PEC conductors on pole. No communication cables.

Soil Class 2 should be used in areas of solid rock.

Soil Class 3 is shale and broken bed rock. It should be used in most other areas.

Soil Class 7 is fill, silt, fine loose sands. It should be used in areas south of Austin and east of IH-35.

Total Line Angle	Anchor Type	Guy Type	35' CL5	40' CL5	45' CL3	50' CL3	55' CL3	60' CL2	65' CL1
5	2-F2-1	2-E1-3	9.0	9.7	9.0	9.0	9.6	9.0	9.0
5	2-F3-2	2-E1-2	12.5	14.5	16.5	18.5	20.5	22.5	24.5
10	F2-1	E1-2	14.3	16.6	18.9	21.1	23.4	25.7	28.0
10	F2-1	E1-3	9.4	15.1	10.6	11.9	14.8	14.5	15.8
10	2-F2-1	2-E1-2	9.4	15.1	9.2	10.7	14.8	13.1	13.7
10	2-F2-1	2-E1-3	9.4	15.1	9.0	10.7	14.8	13.1	12.3
10	2-F3-2	2-E1-2	21.9	25.4	28.9	32.4	35.9	39.5	43.0
15	F2-1	E1-2	21.9	25.4	28.9	32.4	35.9	39.5	43.0
15	F2-1	E1-3	12.7	20.4	14.2	15.9	20.1	19.4	21.1
15	2-F2-1	2-E1-2	12.7	20.4	12.0	14.5	20.1	17.7	17.9
15	2-F2-1	2-E1-3	12.7	20.4	11.7	14.5	20.1	17.7	16.7
20	F2-1	E1-3	16.0	25.7	18.9	21.1	25.3	25.7	28.0
20	2-F2-1	2-E1-2	16.0	25.7	15.7	18.3	25.3	22.3	23.3
20	2-F2-1	2-E1-3	16.0	25.7	14.8	18.3	25.3	22.3	21.0
25	F2-1	E1-3	19.3	30.9	24.0	27.0	30.4	32.8	35.7
25	2-F2-1	2-E1-2	19.3	30.9	19.7	22.1	30.4	26.9	29.2
25	2-F2-1	2-E1-3	19.3	30.9	17.8	22.0	30.4	26.8	25.2
30	F2-1	E1-3	23.5		31.0	34.8	38.6	42.4	46.2
30	2-F2-1	2-E1-2	22.5		24.0	27.0	35.5	32.8	35.7
30	2-F2-1	2-E1-3	22.5		20.7	25.7	35.5	31.3	29.5
35	2-F2-1	2-E1-2	25.7		30.0	33.6	40.5	40.9	44.5
35	2-F2-1	2-E1-3	25.7		23.7	29.4	40.5	35.8	33.7
40	2-F2-1	2-E1-2			35.7	40.1	45.5	48.8	53.1
40	2-F2-1	2-E1-3			26.6	33.0	45.5	40.1	37.8
45	2-F2-1	2-E1-3			29.4	36.5		44.4	41.8
50	2-F2-1	2-E1-3			32.2	40.0		48.6	45.8
55	2-F2-1	2-E1-3			34.9				49.6
60	2-F2-1	2-E1-3							53.4
3-Phase, 795 AAC Primary, 336 AAC Neutral, Light Loading, Grade C - No Crossing, 250' span, soil class 7									
5	F1-3	E1-2	18.2	21.1	24.0	27.0	29.9	32.8	35.7
5	F1-4	E1-2	9.0	9.0	9.0	9.0	9.8	10.7	11.7
5	F1-4	E1-3	9.0	9.0	9.0	9.0	9.0	9.0	9.7
5	2-F1-3	2-E1-2	9.0	9.3	10.6	11.9	13.2	14.5	15.8
5	2-F1-4	2-E1-2	9.0	9.0	9.0	9.0	9.0	9.0	9.0
5	2-F1-4	2-E1-3	9.0	9.0	9.0	9.0	9.0	9.0	9.0
10	F1-4	E1-2	9.1	10.6	12.0	13.5	14.9	16.4	17.9
10	F1-4	E1-3	9.0	10.2	9.9	11.1	12.3	13.5	14.7



## PEC Minimum Guy Lead 1-Phase #795 AAC

Assume only PEC conductors on pole. No communication cables.

Soil Class 2 should be used in areas of solid rock.

Soil Class 3 is shale and broken bed rock. It should be used in most other areas.

Soil Class 7 is fill, silt, fine loose sands. It should be used in areas south of Austin and east of IH-35.

Total Line Angle	Anchor Type	Guy Type	35' CL5	40' CL5	45' CL3	50' CL3	55' CL3	60' CL2	65' CL1
10	2-F1-3	2-E1-2	13.1	15.2	17.3	19.4	21.5	23.5	25.6
10	2-F1-4	2-E1-2	9.0	10.2	9.0	9.0	10.0	9.0	9.0
10	2-F1-4	2-E1-3	9.0	10.2	9.0	9.0	10.0	9.0	9.0
15	F1-4	E1-2	13.1	15.2	17.3	19.4	21.5	23.5	25.6
15	F1-4	E1-3	10.7	13.7	14.2	15.9	17.7	19.4	21.1
15	2-F1-3	2-E1-2	18.9	21.9	25.0	28.0	31.0	34.1	37.1
15	2-F1-4	2-E1-2	9.0	13.7	9.0	9.8	13.5	11.9	11.7
15	2-F1-4	2-E1-3	9.0	13.7	9.0	9.8	13.5	11.9	11.2
20	F1-4	E1-2	17.5	20.3	23.1	25.9	28.7	31.6	34.4
20	F1-4	E1-3	13.7	17.3	18.0	20.2	22.4	24.6	26.8
20	2-F1-3	2-E1-2	28.0	32.5	37.0	41.5	46.0	50.5	55.0
20	2-F1-4	2-E1-2	10.8	17.3	9.9	12.3	17.0	15.0	14.7
20	2-F1-4	2-E1-3	10.8	17.3	9.9	12.3	17.0	15.0	14.1
25	F1-4	E1-2	22.7	26.3	30.0	33.6	37.3	40.9	44.5
25	F1-4	E1-3	17.5	20.7	23.1	25.9	28.7	31.6	34.4
25	2-F1-4	2-E1-2	12.9	20.7	12.7	14.8	20.4	18.0	18.9
25	2-F1-4	2-E1-3	12.9	20.7	11.9	14.8	20.4	18.0	16.9
30	F1-4	E1-3	21.9	25.4	28.9	32.4	35.9	39.5	43.0
30	2-F1-4	2-E1-2	15.1	24.2	14.9	17.3	23.8	21.0	22.2
30	2-F1-4	2-E1-3	15.1	24.2	13.9	17.3	23.8	21.0	19.8
35	F1-4	E1-3	28.0	32.5	37.0	41.5	46.0	50.5	55.0
35	2-F1-4	2-E1-2	17.2	27.6	17.3	19.7	27.2	24.0	25.6
35	2-F1-4	2-E1-3	17.2	27.6	15.9	19.7	27.2	24.0	22.5
40	2-F1-4	2-E1-2	19.3	30.9	19.7	22.1	30.5	26.9	29.2
40	2-F1-4	2-E1-3	19.3	30.9	17.8	22.1	30.5	26.9	25.3
45	2-F1-4	2-E1-2	21.3	30.9	22.2	24.9	33.7	30.3	33.0
45	2-F1-4	2-E1-3	21.3	30.9	19.7	24.4	33.7	29.7	28.0
50	2-F1-4	2-E1-2	23.3	30.9	25.9	29.1	36.9	35.4	38.5
50	2-F1-4	2-E1-3	23.3	30.9	21.5	26.7	36.9	32.5	30.6
55	2-F1-4	2-E1-2	25.3	32.4	28.9	32.4	40.0	39.5	43.0
55	2-F1-4	2-E1-3	25.3	32.4	23.4	29.0	40.0	35.3	33.2
60	2-F1-4	2-E1-2	27.2	32.2	32.2	36.1	43.0	43.9	47.8
60	2-F1-4	2-E1-3	27.2	32.2	25.1	31.2	43.0	37.9	37.1
3-Phase, 795 AAC Primary, 336 AAC Neutral, Light Loading, Grade C - Crossing, 250' span, soil class 7									
5	F1-3	E1-2	24.3	28.3	32.2	36.1	40.0	43.9	47.8
5	F1-4	E1-2	9.0	9.0	9.2	10.3	11.5	12.6	13.7
5	F1-4	E1-3	9.0	9.0	9.0	9.0	9.8	10.7	11.7

## PEC Minimum Guy Lead 3-Phase #795 AAC

Assume only PEC conductors on pole. No communication cables.

Soil Class 2 should be used in areas of solid rock.

Soil Class 3 is shale and broken bed rock. It should be used in most other areas.

Soil Class 7 is fill, silt, fine loose sands. It should be used in areas south of Austin and east of IH-35.

Total Line Angle	Anchor Type	Guy Type	35'_CL5	40'_CL5	45'_CL3	50'_CL3	55'_CL3	60'_CL2	65'_CL1
5	2-F1-3	2-E1-2	9.6	11.2	12.7	14.3	15.8	17.4	18.9
5	2-F1-4	2-E1-2	9.0	9.0	9.0	9.0	9.0	9.0	9.0
5	2-F1-4	2-E1-3	9.0	9.0	9.0	9.0	9.0	9.0	9.0
10	F1-4	E1-2	11.3	13.1	14.9	16.8	18.6	20.4	22.2
10	F1-4	E1-3	9.6	12.3	12.7	14.3	15.8	17.4	18.9
10	2-F1-3	2-E1-2	16.2	18.8	21.4	24.0	26.6	29.2	31.8
10	2-F1-4	2-E1-2	9.0	12.3	9.0	9.0	12.1	10.7	10.7
10	2-F1-4	2-E1-3	9.0	12.3	9.0	9.0	12.1	10.7	10.0
15	F1-4	E1-2	16.2	18.8	21.4	24.0	26.6	29.2	31.8
15	F1-4	E1-3	13.1	16.5	17.3	19.4	21.5	23.5	25.6
15	2-F1-3	2-E1-2	25.2	29.3	33.3	37.4	41.4	45.5	49.5
15	2-F1-4	2-E1-2	10.3	16.5	9.9	11.7	16.2	14.3	14.7
15	2-F1-4	2-E1-3	10.3	16.5	9.5	11.7	16.2	14.3	13.4
20	F1-4	E1-2	22.7	26.3	30.0	33.6	37.3	40.9	44.5
20	F1-4	E1-3	17.5	20.6	23.1	25.9	28.7	31.6	34.4
20	2-F1-4	2-E1-2	12.9	20.6	12.0	14.7	20.3	17.9	17.9
20	2-F1-4	2-E1-3	12.9	20.6	11.9	14.7	20.3	17.9	16.8
25	F1-4	E1-3	22.7	26.3	30.0	33.6	37.3	40.9	44.5
25	2-F1-4	2-E1-2	15.4	24.7	14.9	17.7	24.3	21.5	22.2
25	2-F1-4	2-E1-3	15.4	24.7	14.2	17.7	24.3	21.5	20.2
30	2-F1-4	2-E1-2	18.0	28.8	18.0	20.6	28.4	25.0	26.8
30	2-F1-4	2-E1-3	18.0	28.8	16.6	20.6	28.4	25.0	23.5
35	2-F1-4	2-E1-2	20.5	20.5	21.4	24.0	32.3	29.2	31.8
35	2-F1-4	2-E1-3	20.5	20.5	18.9	23.4	32.3	28.5	26.8
40	2-F1-4	2-E1-2	22.9	22.9	25.0	28.0	36.2	34.1	37.1
40	2-F1-4	2-E1-3	22.9	22.9	21.2	26.2	36.2	31.9	30.1
45	2-F1-4	2-E1-2	25.4	25.4	28.9	32.4	40.0	39.5	43.0
45	2-F1-4	2-E1-3	25.4	25.4	23.4	29.0	40.0	35.3	33.2
50	2-F1-4	2-E1-2	27.7	27.7	33.3	37.4	43.8	45.5	49.5
50	2-F1-4	2-E1-3	27.7	27.7	25.9	31.7	43.8	38.6	38.5
55	2-F1-4	2-E1-3			28.9	34.4		41.9	43.0
60	2-F1-4	2-E1-3			32.2	37.0		45.0	47.8

3-Phase, 795 AAC Primary, 336 AAC Neutral, Light Loading, Grade B, 250' span, soil class 7

5	F1-4	E1-2	9.0	9.9	11.3	12.7	14.1	15.4	16.8
5	F1-4	E1-3	9.0	9.7	9.9	11.1	12.3	13.5	14.7
5	2-F1-3	2-E1-2	12.5	14.5	16.5	18.5	20.5	22.5	24.5
5	2-F1-4	2-E1-2	9.0	9.7	9.0	9.0	9.6	9.0	9.0

## PEC Minimum Guy Lead 3-Phase #795 AAC

Assume only PEC conductors on pole. No communication cables.  
 Soil Class 2 should be used in areas of solid rock.  
 Soil Class 3 is shale and broken bed rock. It should be used in most other areas.  
 Soil Class 7 is fill, silt, fine loose sands. It should be used in areas south of Austin and east of IH-35.

Total Line Angle	Anchor Type	Guy Type	35' CL5	40' CL5	45' CL3	50' CL3	55' CL3	60' CL2	65' CL1
5	2-F1-4	2-E1-3	9.0	9.7	9.0	9.0	9.6	9.0	9.0
10	F1-4	E1-2	14.3	16.6	18.9	21.1	23.4	25.7	28.0
10	F1-4	E1-3	11.9	15.1	15.7	17.6	19.5	21.4	23.3
10	2-F1-3	2-E1-2	21.9	25.4	28.9	32.4	35.9	39.5	43.0
10	2-F1-4	2-E1-2	9.4	15.1	9.2	10.7	14.8	13.1	13.7
10	2-F1-4	2-E1-3	9.4	15.1	9.0	10.7	14.8	13.1	12.3
15	F1-4	E1-2	21.9	25.4	28.9	32.4	35.9	39.5	43.0
15	F1-4	E1-3	16.8	20.4	22.2	24.9	27.6	30.3	33.0
15	2-F1-4	2-E1-2	12.7	20.4	12.0	14.5	20.1	17.7	17.9
15	2-F1-4	2-E1-3	12.7	20.4	11.7	14.5	20.1	17.7	16.7
20	F1-4	E1-3	24.3	28.3	32.2	36.1	40.0	43.9	47.8
20	2-F1-4	2-E1-2	16.0	25.7	15.7	18.3	25.3	22.3	23.3
20	2-F1-4	2-E1-3	16.0	25.7	14.8	18.3	25.3	22.3	21.0
25	2-F1-4	2-E1-2	19.3	30.9	19.7	22.1	30.4	26.9	29.2
25	2-F1-4	2-E1-3	19.3	30.9	17.8	22.0	30.4	26.8	25.2
30	2-F1-4	2-E1-2	22.5	30.9	24.0	27.0	35.5	32.8	35.7
30	2-F1-4	2-E1-3	22.5	30.9	20.7	25.7	35.5	31.3	29.5
35	2-F1-4	2-E1-2	25.7	30.0	30.0	33.6	40.5	40.9	44.5
35	2-F1-4	2-E1-3	25.7	30.0	23.7	29.4	40.5	35.8	34.4
40	2-F1-4	2-E1-2		35.7	35.7	40.1	45.5	48.8	53.1
40	2-F1-4	2-E1-3		26.9	26.9	33.0	45.5	40.1	40.0
45	2-F1-4	2-E1-3		32.2	32.2	36.5		44.4	47.8