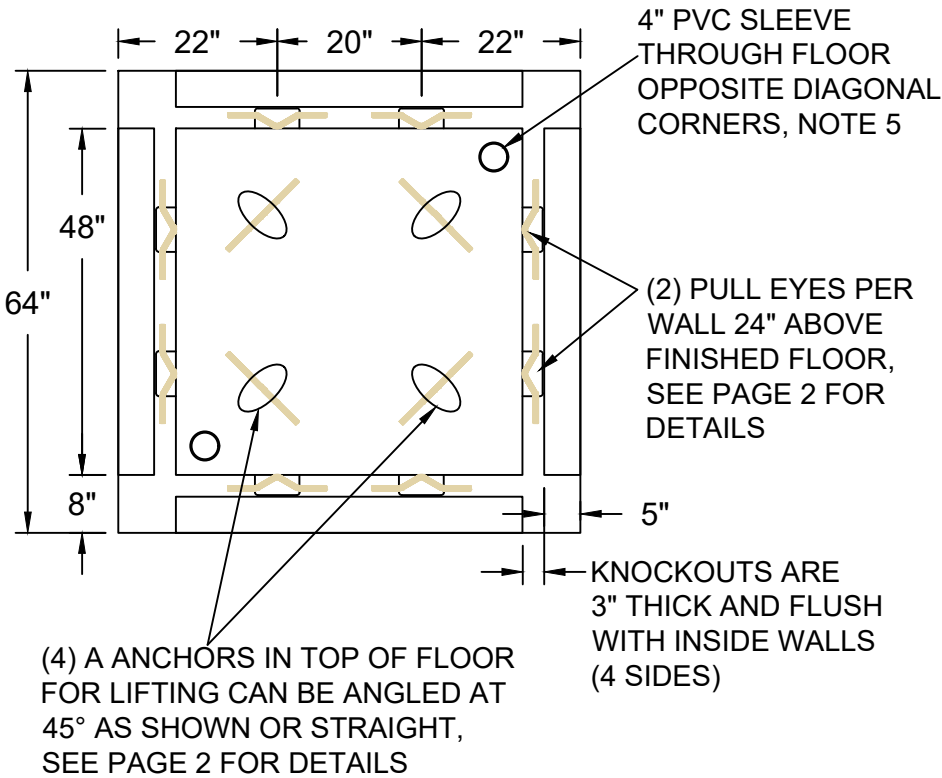
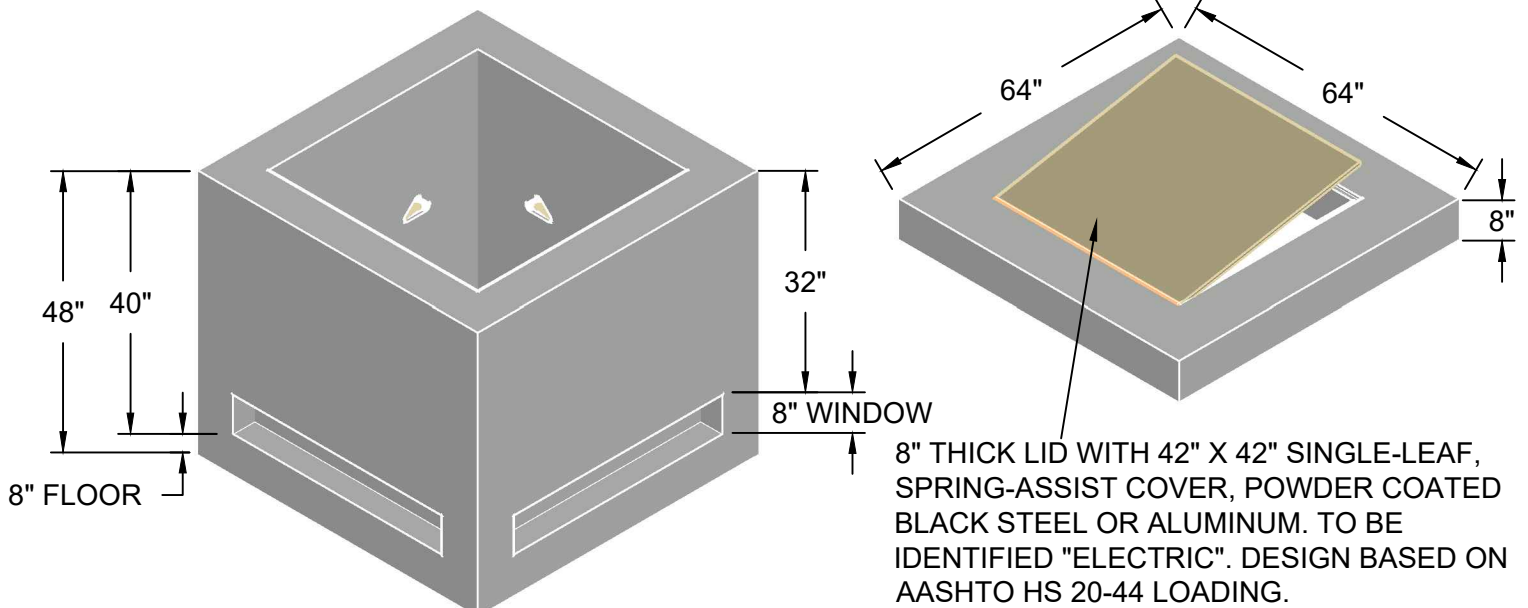


NOTES:

- 1) EACH SIDE WALL SHALL HAVE TWO PULLING EYES LOCATED 20" APART, EVENLY SPACED BETWEEN INSIDE WALLS, AND 24" FROM THE BOTTOM OF THE VAULT.
- 2) ALL PULLING IRONS SHALL BE RATED FOR A MINIMUM OF 5,000 POUNDS EACH.
- 3) 8" ABOVE THE BOTTOM OF THE VAULT, AN 8" KNOCKOUT SHALL EXTEND AROUND THE ENTIRE PERIMETER OF THE VAULT (EXCEPT FOR 8" FROM EACH CORNER) FOR CONDUIT TO BE BROUGHT IN. KNOCKOUTS SHOULD BE 3" THICK AND FLUSH WITH THE INSIDE OF THE VAULT. THE VAULT SHALL BE 48" DEEP.
- 4) THE VAULT SHALL BE INSTALLED ON A MINIMUM 6" DEEP BED OF 1/2" TO 3/4" DIAMETER GRAVEL.



- 5) EACH VAULT SHALL BE SUPPLIED WITH EITHER AN 8' GROUND ROD DRIVEN IN THE VAULT FLOOR OR A MINIMUM 100 FEET OF #6 BARE COPPER WIRE BURIED NO LESS THAN 18" DEEP IN THE EARTH AND MEETING THE NATIONAL ELECTRIC SAFETY CODE RULE #094B3.
- 6) ALL CONCRETE TO HAVE 28-DAY COMPRESSIVE STRENGTH OF 5,000 PSI. REINFORCING STEEL SHALL COMPLY WITH ASTM A615 GRADE 60. BAR BENDING AND PLACEMENT SHALL COMPLY WITH LATEST ACI STANDARDS. DESIGN BASED ON AASHTO HS 20-44 LOADING.
- 7) LIFTING AND PULLING EYE SHAPES AND DIMENSIONS CAN VARY SO LONG AS FORM, FIT AND FUNCTION ARE SATISFIED.
- 8) VAULT CAN BE MADE WITH NO BOTTOM. IT WILL BE 48" TALL, WITH 4 WALLS ON A BED OF 1/2" TO 3/4" DIAMETER GRAVEL.



REV A DATE 02/13/2019 REVISION ISSUE FOR CONSTRUCTION BY RWC CHK EJD APR MMG

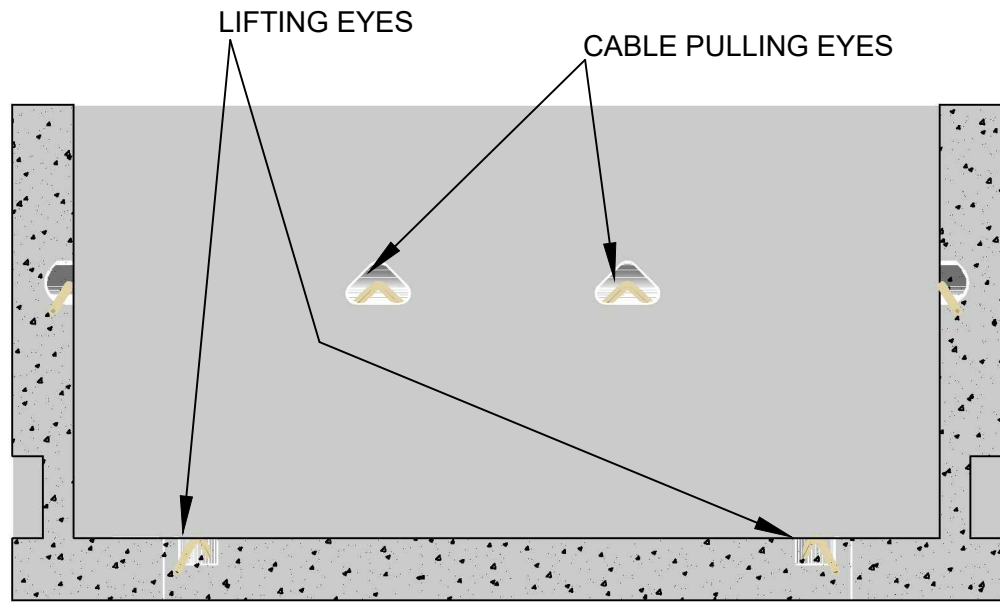


**UNDERGROUND
INSTALLATION
SPECIFICATIONS**

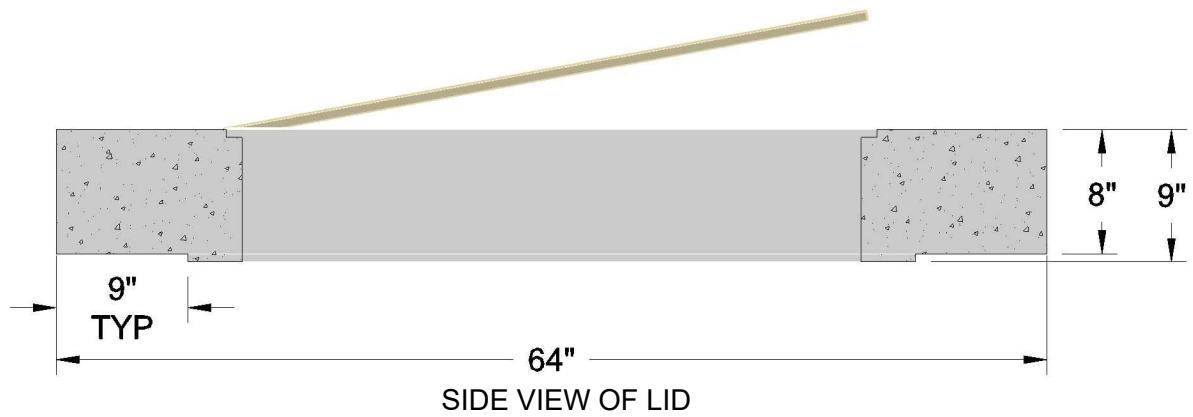
**VAULT FOR
200A LOOPING AND TAPPING
4' X 4' X 4' INTERIOR
PAGE 1 OF 2**

drawn:	approved:	date:
RWC	MMG	02/13/2019

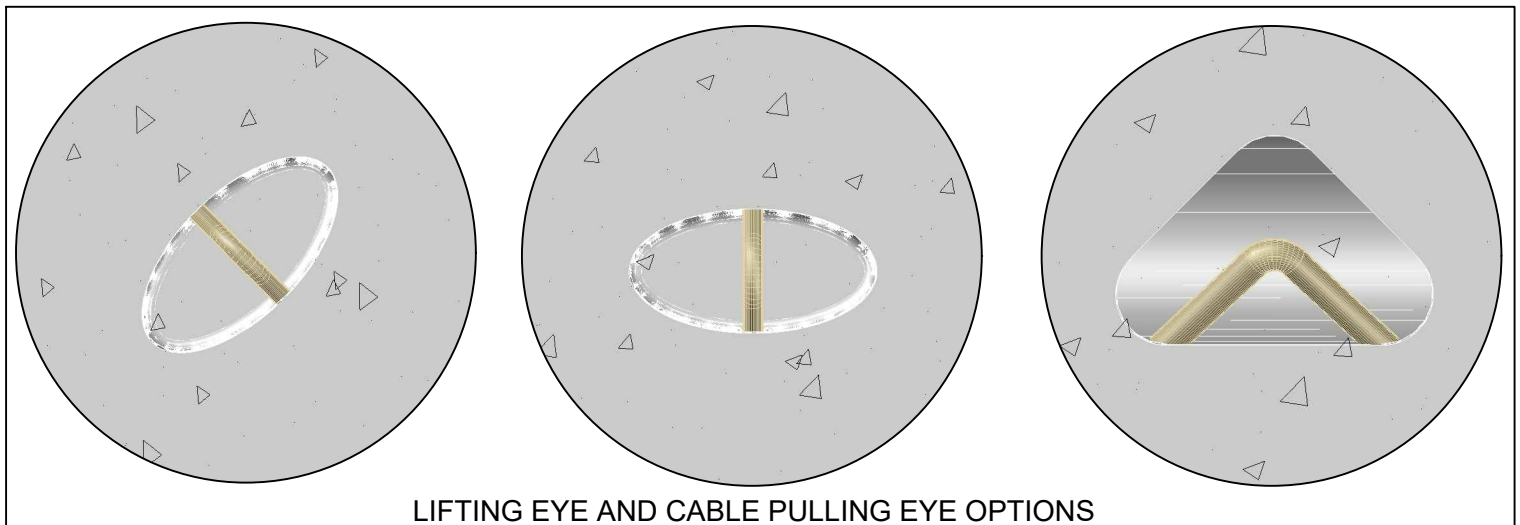
530-094



SECTION THROUGH LIFTING EYES AND CABLE PULLING EYES



SIDE VIEW OF LID



LIFTING EYE AND CABLE PULLING EYE OPTIONS

REV A DATE 02/13/2019 REVISION ISSUE FOR CONSTRUCTION BY RWC CHK EJD APR MMG



UNDERGROUND
INSTALLATION
SPECIFICATIONS

Vault for
200A Looping and Tapping
4' X 4' X 4' Interior
PAGE 2 OF 2

drawn: RWC	approved: MMG	date: 02/13/2019	530-094