

FOR REMOVAL ONLY



L2-1, L2-2.1, L2-2.2



M26-5 (FOR REMOVAL ONLY)

NOTES:

- Lights shall be in compliance with the latest version of the Pedernales Electric Cooperative Specification for LED Outdoor Lighting or as otherwise approved by the PEC Engineering Standards Department.
- PEC-owned and maintained lights are unmetered.
- Member-owned switches to control PEC-owned lights are not allowed.

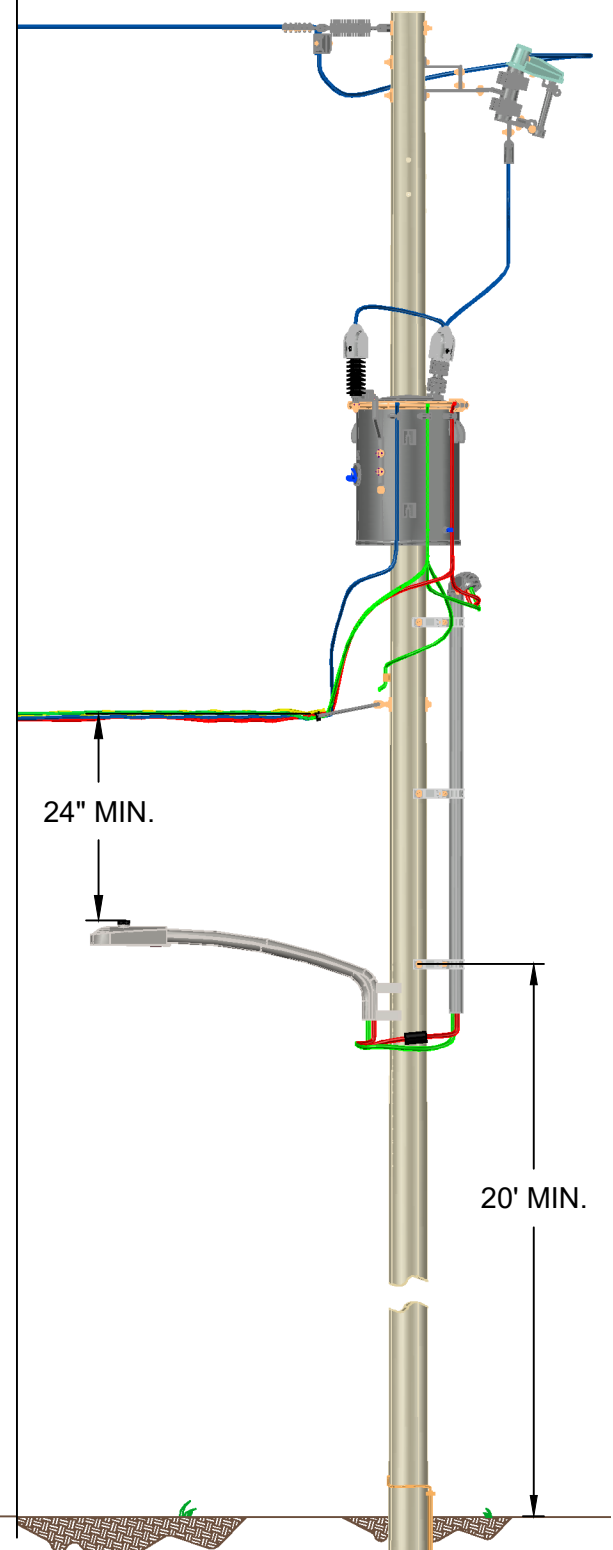
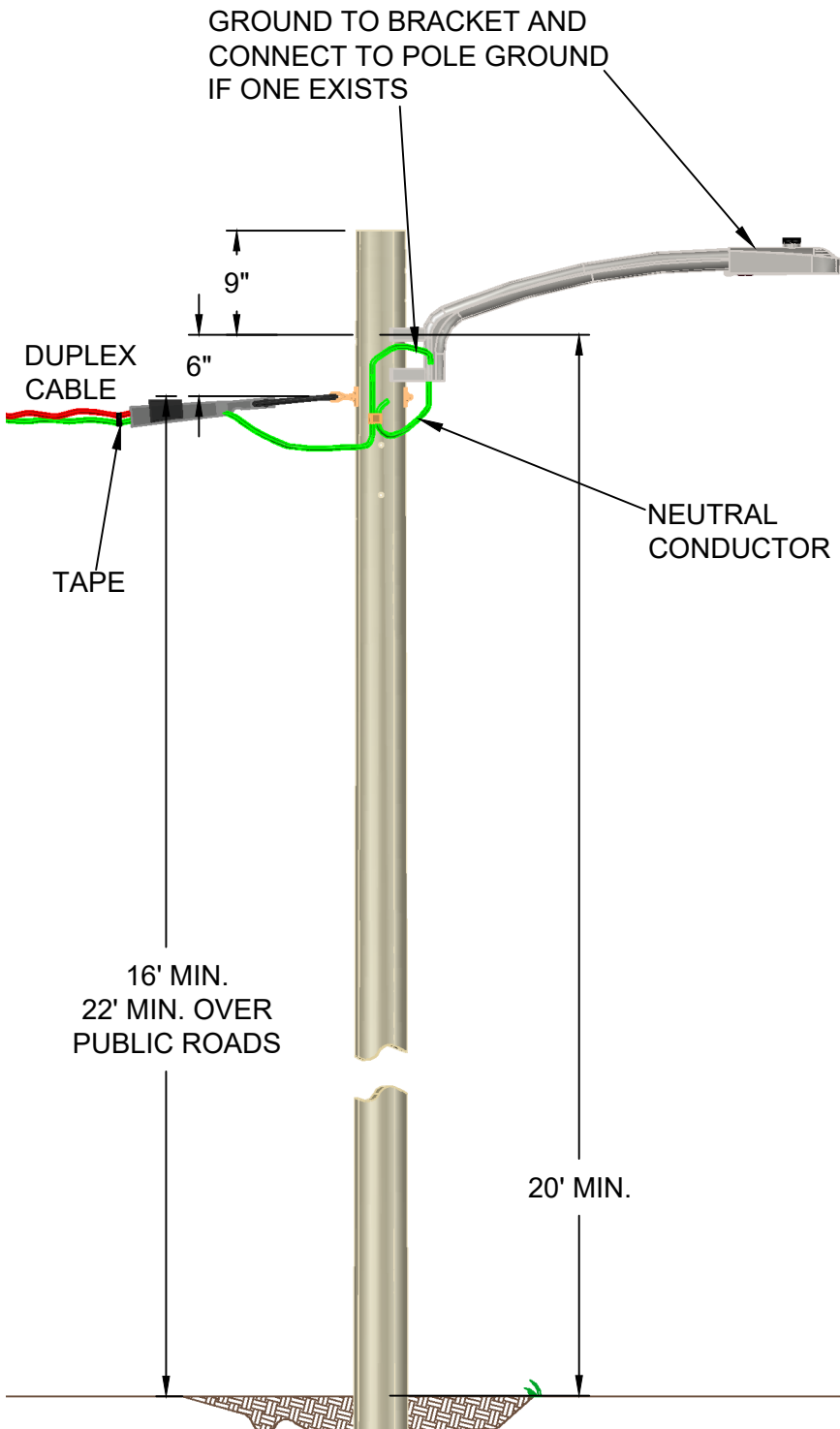
REV	A	DATE	02/11/2022	REVISION	ISSUE FOR CONSTRUCTION	BY	RWC	CHK	SSS	APR	MMG
-----	---	------	------------	----------	------------------------	----	-----	-----	-----	-----	-----



CONSTRUCTION
ASSEMBLY UNIT

METAL HALIDE AND
HIGH-PRESSURE SODIUM LIGHTS

drawn:	approved:	date:	L2
RWC	MMG	02/11/2022	



NOTES:

- Lights shall be in compliance with the latest version of the Pedernales Electric Cooperative Area & Street Lighting Specifications or as otherwise approved by the PEC Engineering Standards Department. Lights shall be 120/277 Volt.
- PEC-owned and maintained lights are unmetered.
- Member-owned switches to control PEC-owned lights are not allowed.

REV | A | DATE | 01/20/2023 | REVISION | ISSUED FOR CONSTRUCTION | BY | RWC | CHK | SSS | APR | MMG

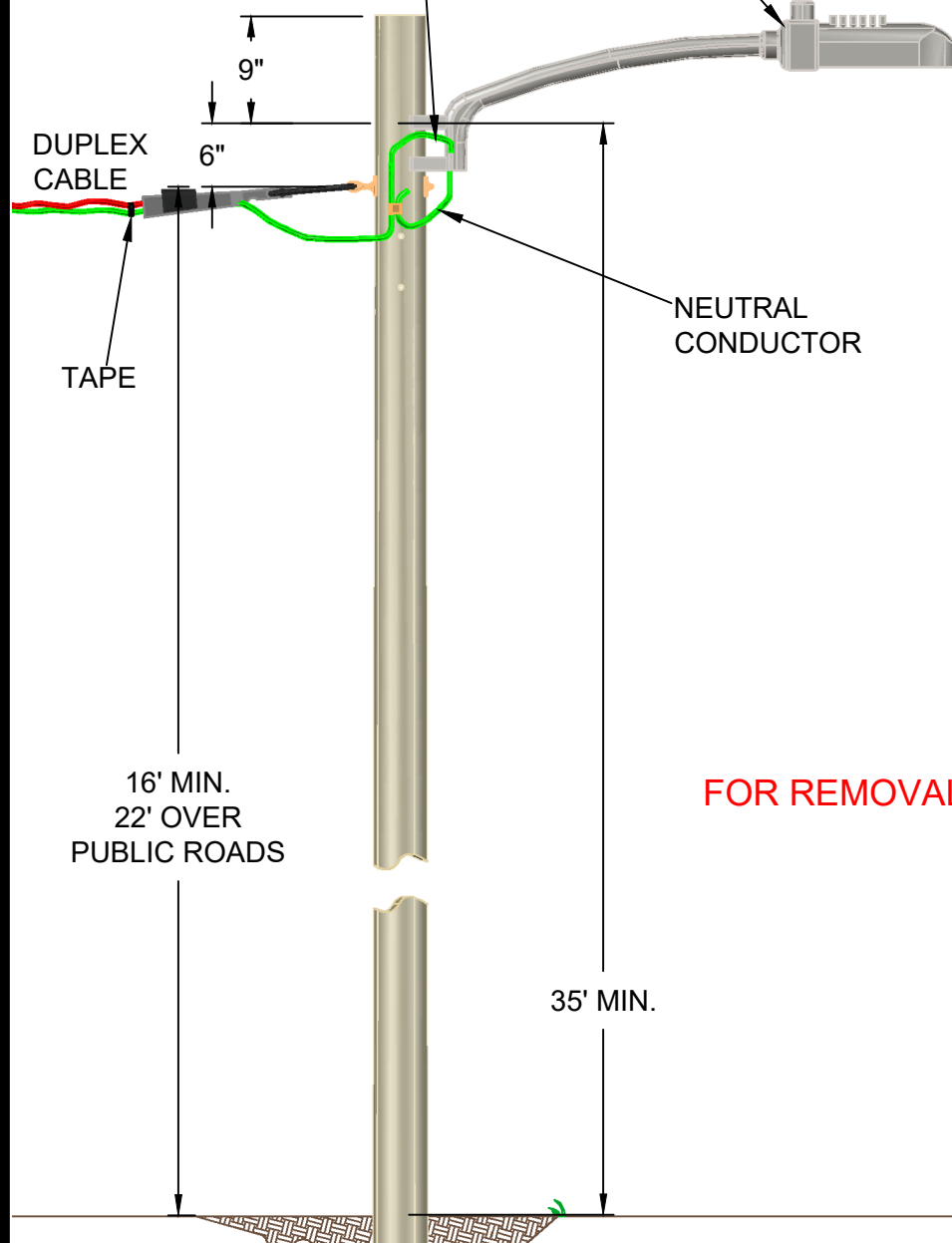


CONSTRUCTION
ASSEMBLY UNIT

50W AND 100W AREA AND STREET LED LIGHTS

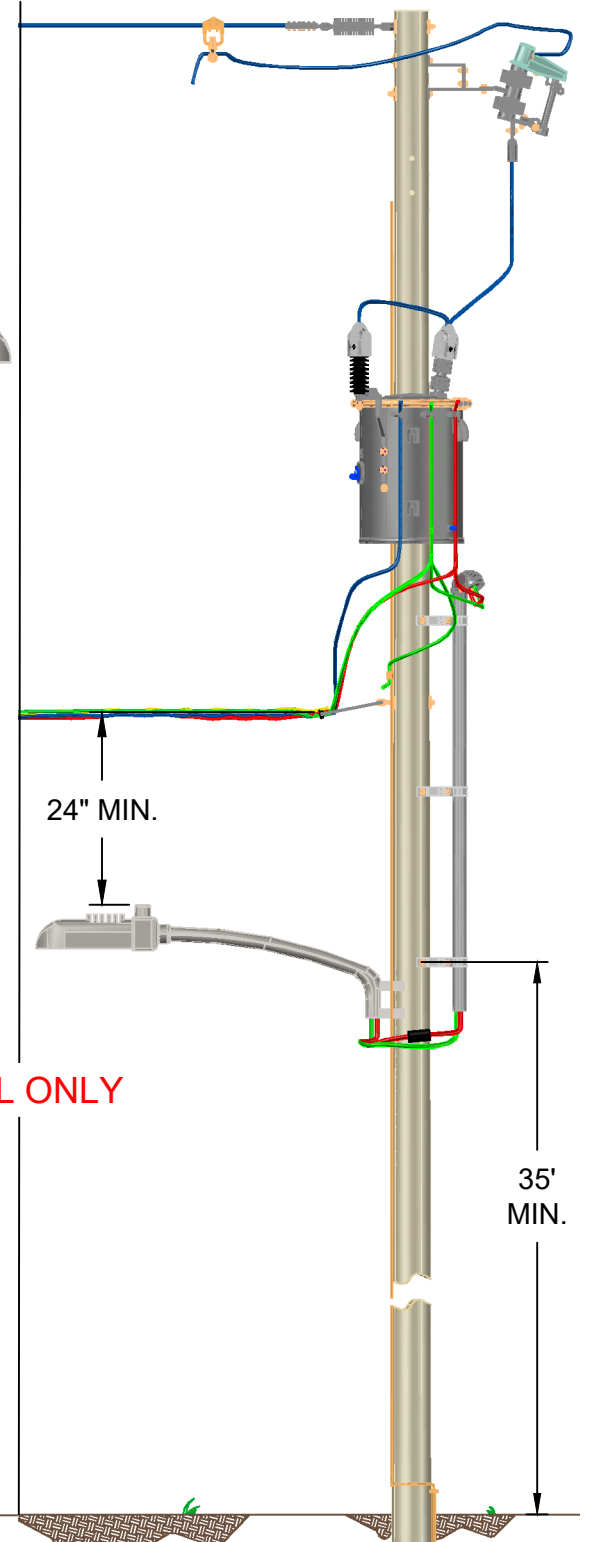
drawn:	approved:	date:	L1-AR1, L1-AR2,
RWC	MMG	01/20/2023	L1-SR1, AND L1-SR2

GROUND TO BRACKET AND
CONNECT TO POLE GROUND
IF ONE EXISTS



NEUTRAL
CONDUCTOR

FOR REMOVAL ONLY



16' MIN.
22' OVER
PUBLIC ROADS

35' MIN.

24" MIN.

35'
MIN.

NOTES:

- Lights shall be in compliance with the latest version of the Pedernales Electric Cooperative Specification for LED Outdoor Lighting or as otherwise approved by the PEC Engineering Standards Department.
- PEC-owned and maintained lights are unmetered.
- Member-owned switches to control PEC-owned lights are not allowed.

REV	A	DATE	02/11/2022	REVISION	ISSUE FOR CONSTRUCTION	BY	RWC	CHK	SSS	APR	MMG
-----	---	------	------------	----------	------------------------	----	-----	-----	-----	-----	-----



CONSTRUCTION
ASSEMBLY UNIT

250W STREET AND AREA
LED LIGHTS

drawn:	approved:	date:	L2-2.2R3 L2-2.2A5
RWC	MMG	02/11/2022	